

PIPE MAKERS

75-87 DUNHEVED CIRCUIT

ST MARYS NSW 2760

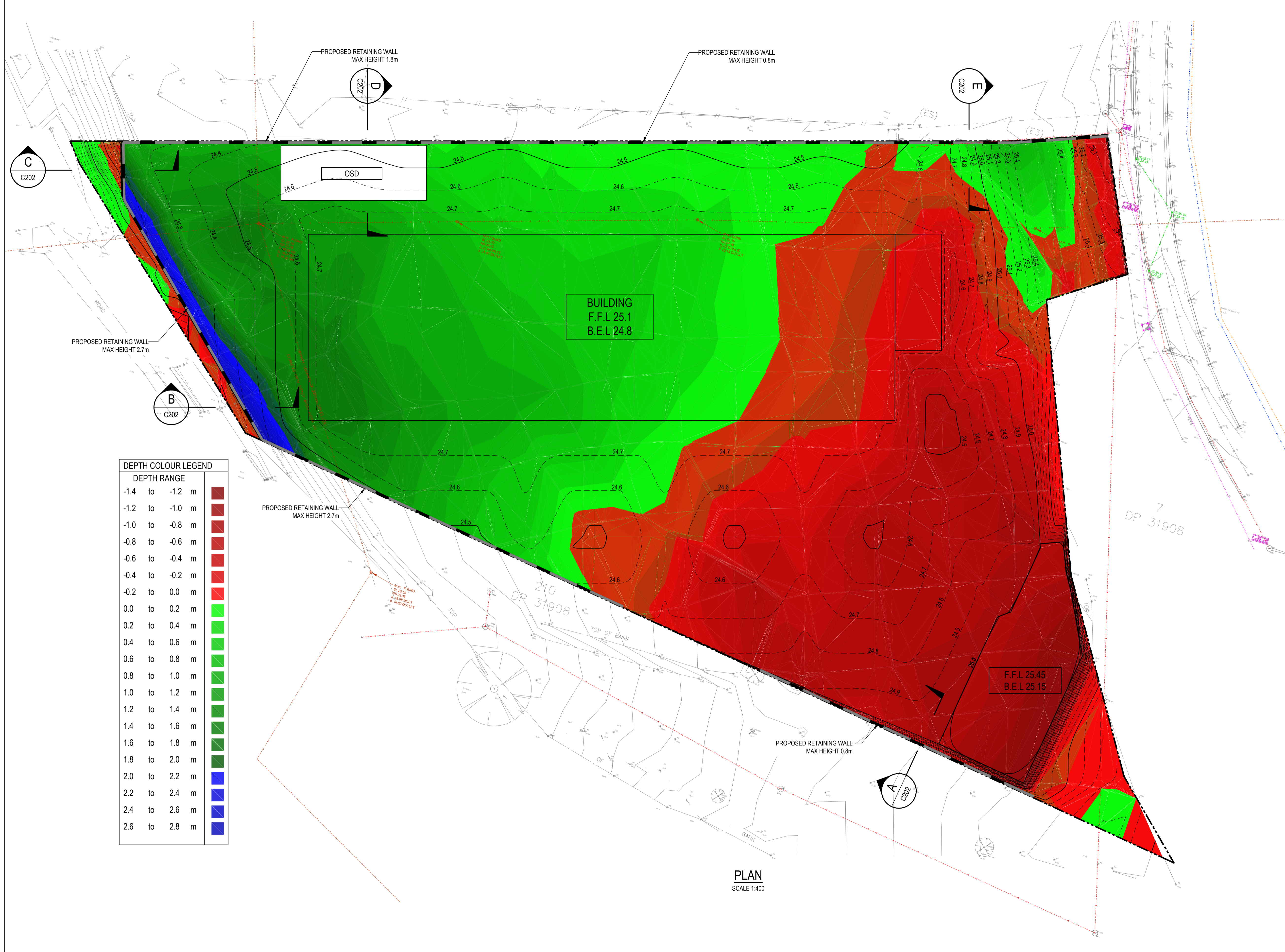
CIVIL DRAWING LIST

C000	COVER SHEET
C001	STANDARD NOTES
C201	BULK EXCAVATION PLAN
C202	RETAINING WALL SECTIONS
C210	EROSION & SEDIMENT CONTROL
C401	DRAINAGE LAYOUT
C404	DRAINAGE DETAILS
C405	OSD TANK DETAILS
C421	DRAINS CATCHMENT PLAN
C422	MUSIC CATCHMENT PLAN



LOCALITY PLAN
NTS

REVISIONS: <table border="1"> <thead> <tr> <th>No.</th> <th>REVISION DESCRIPTION</th> <th>DRAWN</th> <th>DATE</th> </tr> </thead> <tbody> <tr> <td>D</td> <td>FOR DEVELOPMENT APPLICATION</td> <td>LO</td> <td>12.10.21</td> </tr> <tr> <td>C</td> <td>ADDED BULK AND DRIVEWAY PLANS</td> <td>LO</td> <td>23.06.21</td> </tr> <tr> <td>B</td> <td>UPDATED ADDRESS</td> <td>LO</td> <td>12.05.21</td> </tr> <tr> <td>A</td> <td>FOR DEVELOPMENT APPLICATION</td> <td>HB</td> <td>06.05.21</td> </tr> </tbody> </table>		No.	REVISION DESCRIPTION	DRAWN	DATE	D	FOR DEVELOPMENT APPLICATION	LO	12.10.21	C	ADDED BULK AND DRIVEWAY PLANS	LO	23.06.21	B	UPDATED ADDRESS	LO	12.05.21	A	FOR DEVELOPMENT APPLICATION	HB	06.05.21	<small>SCALE BAR</small> <small>COPYRIGHT © THIS DRAWING IS COPYRIGHT AND THE PROPERTY OF VAN DER MEER (NSW) PTY LTD. IT MUST NOT BE RETAINED, COPIED OR USED WITHOUT THE AUTHORITY OF VAN DER MEER (NSW) PTY LTD. THIS DRAWING AND ITS CONTENTS ARE ELECTRONICALLY GENERATED, ARE CONFIDENTIAL AND MAY ONLY BE USED FOR THE PURPOSE FOR WHICH THEY WERE INTENDED. VAN DER MEER (NSW) PTY LTD. WILL NOT ACCEPT RESPONSIBILITY FOR ANY CONSEQUENCES ARISING FROM THE USE OF THIS DRAWING FOR OTHER THAN ITS INTENDED PURPOSE OR WHERE THE DRAWING HAS BEEN ALTERED, AMENDED OR CHANGED EITHER MANUALLY OR ELECTRONICALLY BY ANY THIRD PARTY. NOTE: THIS IS AN UNCONTROLLED DOCUMENT ISSUED FOR INFORMATION PURPOSES ONLY. UNLESS SIGNED, FIGURES DIMENSIONS TAKE PRECEDENCE OVER SCALES. DO NOT SCALE REDUCED SIZE DRAWINGS. VERIFY DIMENSIONS PRIOR TO COMMENCING ANY ON-SITE OR OFF-SITE WORKS OR FABRICATION. IF IN DOUBT - ASK.</small>	 van der Meer Consulting <small>LEVEL 6, 39 CHANDOS STREET ST LEONARDS NSW 2065 Telephone 61-2-9436 0433 Fax 61-2-9436 1370</small> <small>www.vandermeer.com.au van der Meer (NSW) Pty Ltd A.B.N. 56 158 266 301</small>	<small>CLIENT</small> EMKC LEVEL 1, 140 BOURKE STREET MELBOURNE, VIC 3000 <small>ARCHITECT</small> - -	<small>PROJECT TITLE</small> PIPE MAKERS 75-87 DUNHEVED CIRCUIT ST MARYS, NSW 2760 <small>DRAWING TITLE</small> COVER SHEET	<small>DRAWING STATUS</small> APPROVAL ISSUE NOT TO BE USED FOR CONSTRUCTION <table border="1"> <thead> <tr> <th>PROJECT LEADER</th> <th>DESIGNER</th> <th colspan="2">SIGNATURE</th> </tr> </thead> <tbody> <tr> <td>NT</td> <td>LO</td> <td>DATE</td> <td>SHEET SIZE</td> </tr> <tr> <td>LO</td> <td>SCALE</td> <td>OCT 2021</td> <td>A1</td> </tr> <tr> <td>JOB No.</td> <td>DRAWING No.</td> <td>REVISION</td> <td></td> </tr> <tr> <td>SY202-159</td> <td>C000</td> <td>D</td> <td></td> </tr> </tbody> </table>	PROJECT LEADER	DESIGNER	SIGNATURE		NT	LO	DATE	SHEET SIZE	LO	SCALE	OCT 2021	A1	JOB No.	DRAWING No.	REVISION		SY202-159	C000	D	
No.	REVISION DESCRIPTION	DRAWN	DATE																																											
D	FOR DEVELOPMENT APPLICATION	LO	12.10.21																																											
C	ADDED BULK AND DRIVEWAY PLANS	LO	23.06.21																																											
B	UPDATED ADDRESS	LO	12.05.21																																											
A	FOR DEVELOPMENT APPLICATION	HB	06.05.21																																											
PROJECT LEADER	DESIGNER	SIGNATURE																																												
NT	LO	DATE	SHEET SIZE																																											
LO	SCALE	OCT 2021	A1																																											
JOB No.	DRAWING No.	REVISION																																												
SY202-159	C000	D																																												



BULK EARTHWORKS QUANTITIES

TOTAL CUT VOLUME: 3,630m³
 TOTAL FILL VOLUME: 9,440m³

NOTE

1. B.E.L. REFERS TO BULK EXCAVATION LEVEL
2. F.F.L. REFERS TO FINISHED FLOOR LEVEL
3. CONTOURS AND SPOT LEVELS ON THIS PLAN DENOTE PROPOSED SUBGRADE LEVEL
4. TEMPORARY BATTERS ARE NOT SHOWN FOR CLARITY
5. REFER TO CIVIL SPECIFICATIONS ON DRAWING C001 FOR SUBGRADE PREPARATION REQUIREMENTS
6. THIS PLAN IS TO BE READ IN CONJUNCTION WITH:
 - THE GEOTECHNICAL REPORT
 - STRUCTURAL GROUND FLOOR ARRANGEMENT PLAN
 - ARCHITECT'S GENERAL ARRANGEMENT PLAN
7. BUILDING SLAB AND EXTERNAL PAVEMENT PROFILES FOR EARTHWORKS BASED ON ESTIMATED EXCAVATION THICKNESS OF 300mm
8. CUT AND FILL QUANTITIES ARE TO STRIPPED SURFACE (200mm TOP SOIL)

LEGEND

RW PROPOSED RETAINING WALL

DEPTH COLOUR LEGEND

DEPTH RANGE	COLOUR
-1.4 to -1.2 m	Dark Red
-1.2 to -1.0 m	Red
-1.0 to -0.8 m	Light Red
-0.8 to -0.6 m	Orange-Red
-0.6 to -0.4 m	Orange
-0.4 to -0.2 m	Light Orange
-0.2 to 0.0 m	Yellow-Orange
0.0 to 0.2 m	Yellow
0.2 to 0.4 m	Light Green
0.4 to 0.6 m	Green
0.6 to 0.8 m	Light Green
0.8 to 1.0 m	Green
1.0 to 1.2 m	Light Green
1.2 to 1.4 m	Green
1.4 to 1.6 m	Light Green
1.6 to 1.8 m	Green
1.8 to 2.0 m	Light Green
2.0 to 2.2 m	Green
2.2 to 2.4 m	Light Blue
2.4 to 2.6 m	Blue
2.6 to 2.8 m	Dark Blue

WARNING

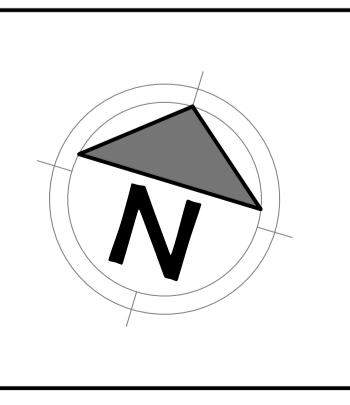
BWARE OF UNDERGROUND SERVICES
 THE LOCATIONS OF UNDERGROUND SERVICES ARE APPROXIMATE ONLY AND THEIR EXACT POSITION SHOULD BE PROVEN ON SITE. NO GUARANTEE IS GIVEN THAT ALL EXISTING SERVICES ARE SHOWN.

REVISIONS:

No.	REVISION DESCRIPTION	DRAWN	DATE
B	FOR DEVELOPMENT APPLICATION	NT	12.10.21
A	PRELIMINARY	LO	23.06.21

SCALE BAR: 0 10 20 30 40m
SCALE 1:400

COPYRIGHT © THIS DRAWING IS THE PROPERTY OF VAN DER MEER CONSULTING (NSW) PTY LTD. IT MUST NOT BE REPRODUCED, COPIED OR USED WITHOUT THE AUTHORITY OF VAN DER MEER CONSULTING (NSW) PTY LTD. THIS DRAWING AND ITS CONTENTS ARE ELECTRONICALLY GENERATED. WHERE THE DRAWING HAS BEEN ALTERED, AMENDED OR CHANGED EITHER MANUALLY OR ELECTRONICALLY BY ANY THIRD PARTY, THIS IS AN UNCONTROLLED DOCUMENT ISSUED FOR INFORMATION PURPOSES ONLY. UNLESS SIGNED, FIGURES DIMENSIONING TAKE PRECEDENCE OVER SCALED. DO NOT SCALE REDUCED SIZE DRAWINGS. VERIFY DIMENSIONS PRIOR TO COMMENCING ANY ON-SITE OR OFF-SITE WORKS OR FABRICATION. IF IN DOUBT - ASK.



van der Meer Consulting
van der meer

LEVEL 6, 39 CHANDOS STREET
 ST LEONARDS NSW 2065
 Telephone 61-2-9436 0433 Fax 61-2-9436 1370

www.vandermeer.com.au
 van der Meer (NSW) Pty Ltd
 A.B.N. 56 158 266 301

CLIENT
EMKC
 LEVEL 1, 140 BOURKE STREET
 MELBOURNE, VIC 3000

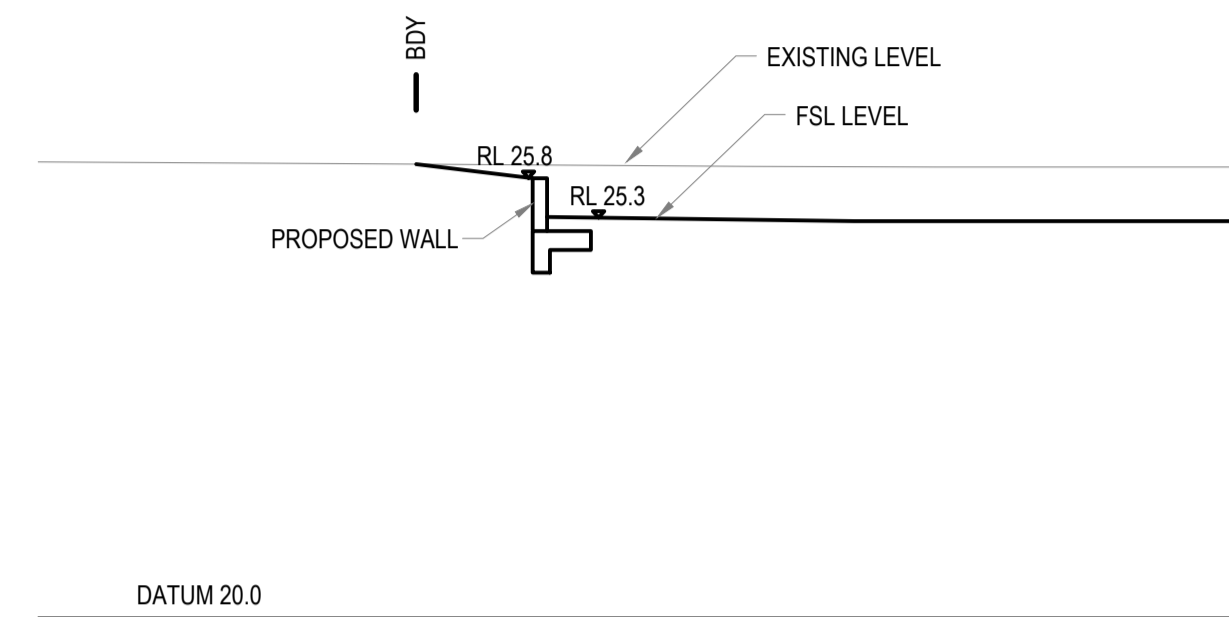
ARCHITECT
 -

PROJECT TITLE
PIPE MAKERS
 75-87 DUNHEVED CIRCUIT
 ST MARYS, NSW 2760

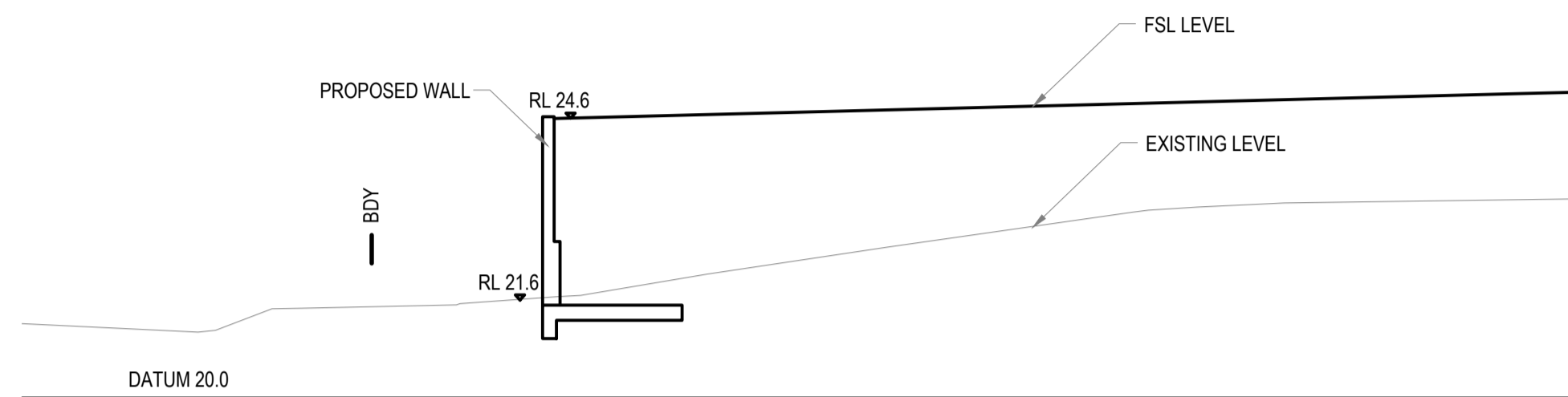
DRAWING TITLE
BULK EARTHWORKS

DRAWING STATUS: **APPROVAL ISSUE**
 NOT TO BE USED FOR CONSTRUCTION

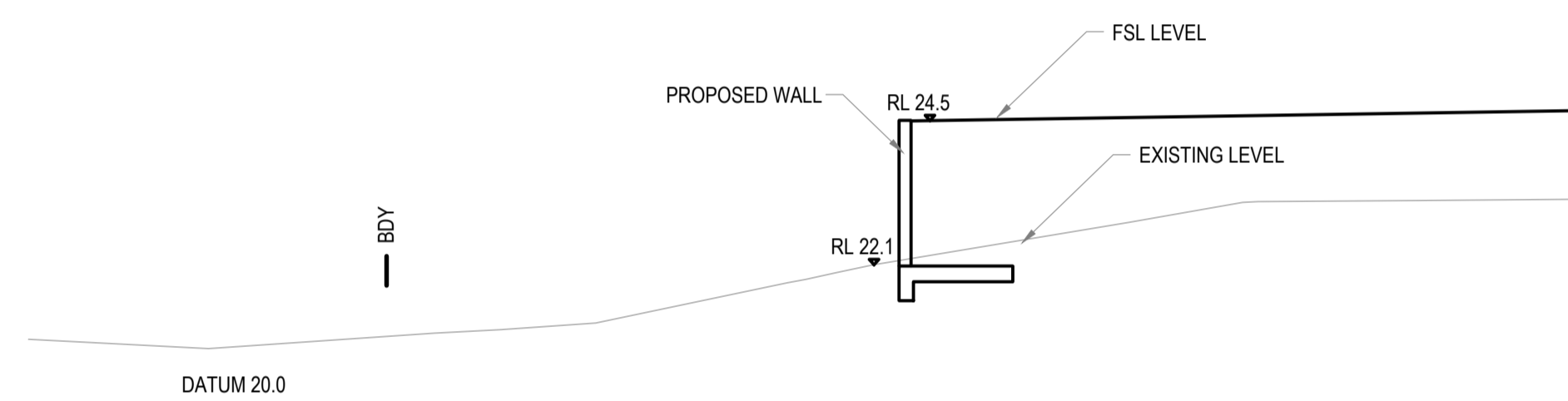
PROJECT LEADER	DESIGNER	SIGNATURE	
NT	LO		
DRAFTSPERSON	SCALE	DATE	SHEET SIZE
LO	AS SHOWN	OCT 2021	A1
JOB No.	DRAWING No.	REVISION	
SY202-159	C201	B	



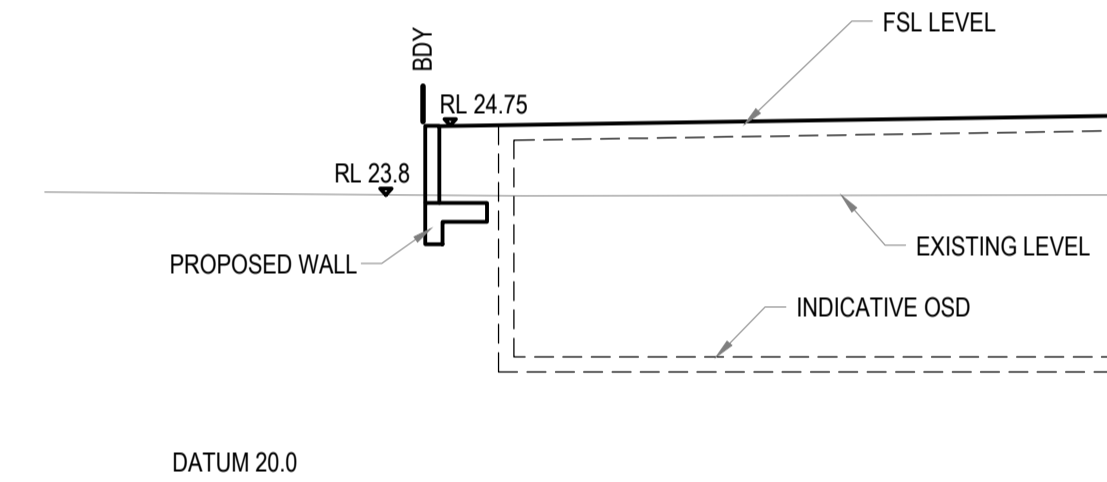
SECTION A
SCALE 1:100



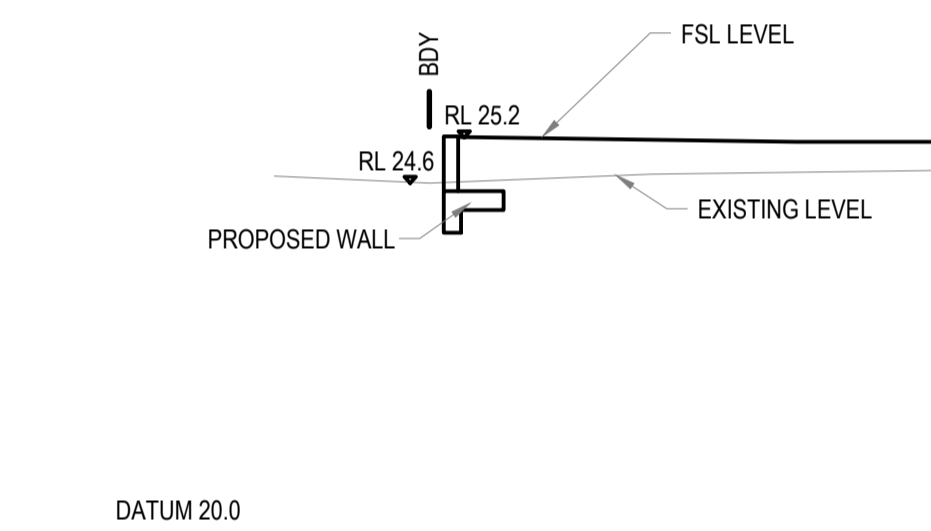
SECTION B
SCALE 1:100



SECTION C
SCALE 1:100



SECTION D
SCALE 1:100

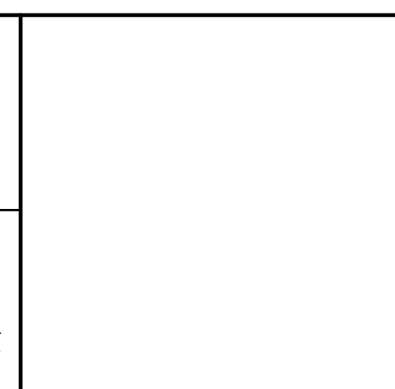


SECTION E
SCALE 1:100

REVISIONS:			
No.	REVISION DESCRIPTION	DRAWN	DATE
A	FOR DEVELOPMENT APPLICATION	LO	12.10.21

SCALE BAR
0 1 2 3 4 5m 10m
SCALE 1:100

COPYRIGHT © THIS DRAWING IS COPYRIGHT AND THE PROPERTY OF VAN DER MEER (NSW) PTY LTD. IT MUST NOT BE REPRODUCED, COPIED OR USED WITHOUT THE AUTHORITY OF VAN DER MEER (NSW) PTY LTD. THIS DRAWING AND ITS CONTENTS ARE ELECTRONICALLY GENERATED. VAN DER MEER (NSW) PTY LTD. WILL NOT ACCEPT RESPONSIBILITY FOR ANY CONSEQUENCES ARISING FROM THE USE OF THE DRAWING FOR OTHER THAN ITS INTENDED PURPOSE OR WHERE THE DRAWING HAS BEEN ALTERED, AMENDED OR CHANGED EITHER MANUALLY OR ELECTRONICALLY BY ANY THIRD PARTY. THIS IS AN UNCONTROLLED DOCUMENT ISSUED FOR INFORMATION PURPOSES ONLY. UNLESS SIGNED, FIGURED DIMENSIONS TAKE PRECEDENCE OVER SCALED. DO NOT SCALE REDUCED SIZE DRAWINGS. VERIFY DIMENSIONS PRIOR TO COMMENCING ANY ON-SITE OR OFF-SITE WORKS OR FABRICATION. IF IN DOUBT - ASK.



van der Meer Consulting
van der meer

LEVEL 6, 39 CHANDOS STREET
ST LEONARDS NSW 2065
Telephone 61-2-9436 0433 Fax 61-2-9436 1370

www.vandermeer.com.au
van der Meer (NSW) Pty Ltd
A.B.N. 56 158 266 301

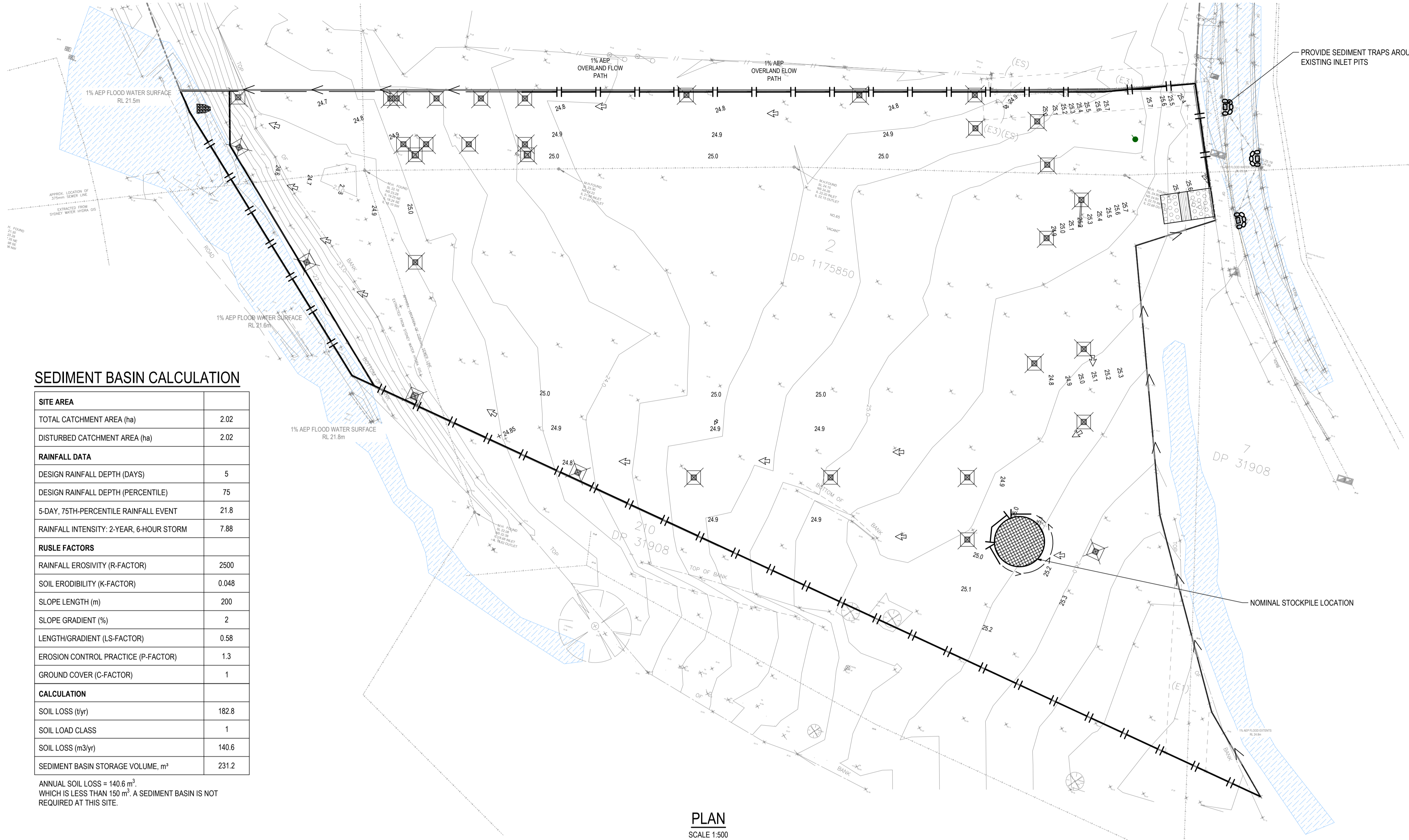
CLIENT
EMKC
LEVEL 1, 140 BOURKE STREET
MELBOURNE, VIC 3000

ARCHITECT
-

PROJECT TITLE
PIPE MAKERS
75-87 DUNHEVED CIRCUIT
ST MARYS, NSW 2760

DRAWING TITLE
BULK SECTIONS

DRAWING STATUS			
APPROVAL ISSUE			
NOT TO BE USED FOR CONSTRUCTION			
PROJECT LEADER	DESIGNER	SIGNATURE	
NT	LO		
DRAFTSPERSON	SCALE	DATE	SHEET SIZE
LO	AS SHOWN	OCT 2021	A1
JOB No.	DRAWING No.	REVISION	
SY202-159	C202	A	



SEDIMENT BASIN CALCULATION

SITE AREA	
TOTAL CATCHMENT AREA (ha)	2.02
DISTURBED CATCHMENT AREA (ha)	2.02
RAINFALL DATA	
DESIGN RAINFALL DEPTH (DAYS)	5
DESIGN RAINFALL DEPTH (PERCENTILE)	75
5-DAY, 75TH-PERCENTILE RAINFALL EVENT	21.8
RAINFALL INTENSITY: 2-YEAR, 6-HOUR STORM	7.88
RUSLE FACTORS	
RAINFALL EROSIVITY (R-FACTOR)	2500
SOIL ERODIBILITY (K-FACTOR)	0.048
SLOPE LENGTH (m)	200
SLOPE GRADIENT (%)	2
LENGTH/GRADIENT (LS-FACTOR)	0.58
EROSION CONTROL PRACTICE (P-FACTOR)	1.3
GROUND COVER (C-FACTOR)	1
CALCULATION	
SOIL LOSS (t/yr)	182.8
SOIL LOAD CLASS	1
SOIL LOSS (m ³ /yr)	140.6
SEDIMENT BASIN STORAGE VOLUME, m ³	231.2

ANNUAL SOIL LOSS = 140.6 m³. WHICH IS LESS THAN 150 m³. A SEDIMENT BASIN IS NOT REQUIRED AT THIS SITE.

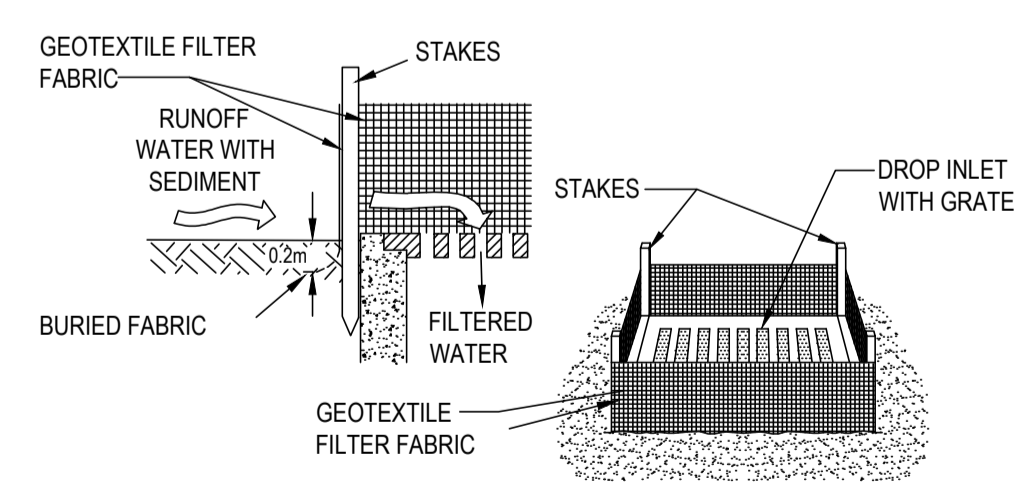
PLAN
SCALE 1:500

EROSION AND SEDIMENT NOTES

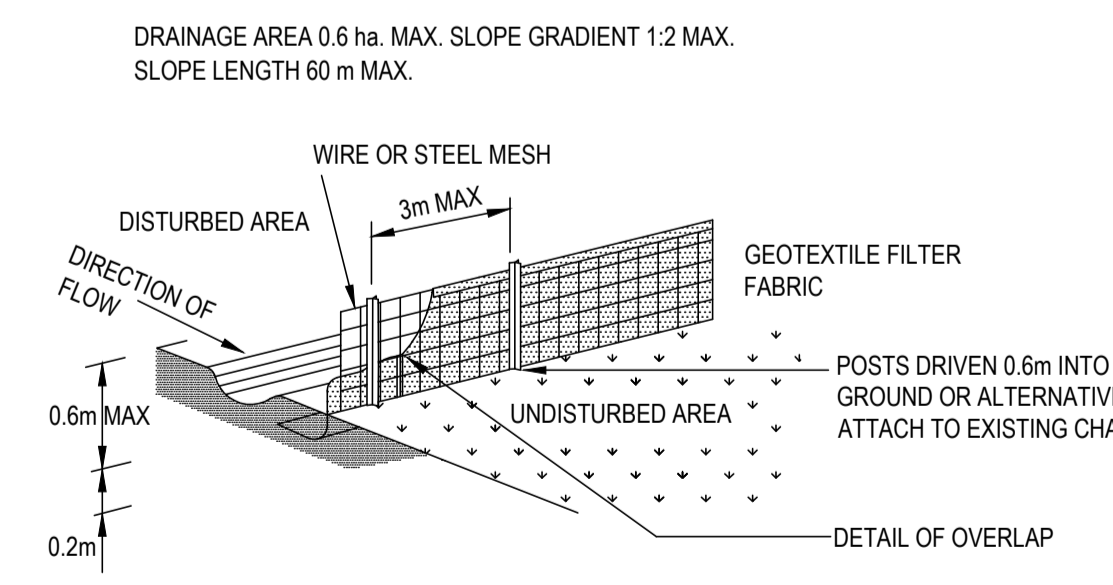
- B1. THIS PLAN IS TO BE READ IN CONJUNCTION WITH EROSION AND SEDIMENT CONTROL DETAILS AS SHOWN
- B2. THE CONTRACTOR SHALL IMPLEMENT ALL SOIL EROSION AND SEDIMENT CONTROL MEASURES AS NECESSARY AND TO THE SATISFACTION OF COUNCIL PRIOR TO THE COMMENCEMENT OF AND DURING CONSTRUCTION. NO DISTURBANCE TO THE SITE SHALL BE PERMITTED OTHER THAN IN THE IMMEDIATE AREA OF THE WORKS AND NO MATERIAL SHALL BE REMOVED FROM THE SITE WITHOUT COUNCIL'S APPROVAL. ALL EROSION AND SEDIMENT CONTROL DEVICES TO BE INSTALLED AND MAINTAINED IN ACCORDANCE WITH STANDARDS OUTLINED IN NSW DEPARTMENT OF HOUSING'S "MANAGING URBAN STORMWATER - SOILS AND CONSTRUCTIONS".
- B3. TOPSOIL SHALL BE STRIPPED AND STOCKPILED OUTSIDE HAZARD AREAS SUCH AS DRAINAGE LINES. THIS TOPSOIL IS TO BE RESPREAD LATER ON AREAS TO BE REVEGETATED AND STABILISED ONLY, (I.E. ALL FOOTPATHS, BATTERS, SITE REGARDING AREAS, BASINS AND CATCHDRAINS). TOPSOIL SHALL NOT BE RESPREAD ON ANY OTHER AREAS UNLESS SPECIFICALLY INSTRUCTED BY THE SUPERINTENDENT. IF THEY ARE TO REMAIN FOR LONGER THAN ONE MONTH STOCKPILES SHALL BE PROTECTED FROM EROSION BY COVERING THEM WITH A MULCH AND HYDROSEEDING AND, IF NECESSARY, BY LOCATING BANKS OR DRAINS DOWNSTREAM OF A STOCKPILE TO RETARD SILT LADEN RUNOFF.
- B4. THE CONTRACTOR SHALL REGULARLY MAINTAIN ALL EROSION AND SEDIMENT CONTROL DEVICES AND REMOVE ACCUMULATED SILT FROM DEVICES SUCH THAT NO MORE THAN 60% OF THEIR CAPACITY IS LOST. ALL THE SILT IS TO BE PLACED OUTSIDE THE LIMIT OF WORKS. THE PERIOD FOR MAINTAINING THESE DEVICES SHALL BE AT LEAST UNTIL ALL DISTURBED AREAS ARE REVEGETATED OR AS DIRECTED BY THE SUPERINTENDENT OR COUNCIL.
- B5. VEHICULAR TRAFFIC SHALL BE CONTROLLED DURING CONSTRUCTION CONFIRMING ACCESS WHERE POSSIBLE TO NOMINATED STABILISED ACCESS POINTS.
- B6. THE CONTRACTOR SHALL IMPLEMENT DUST CONTROL BY REGULAR WETTING DOWN (BUT NOT SATURATING) DISTURBED AREA.
- B7. PROVIDE AND MAINTAIN SILT TRAPS AROUND ALL SURFACE INLET PITS UNTIL CATCHMENTS ARE REVEGETATED OR PAVED.
- B8. REVEGETATE ALL TRENCHES IMMEDIATELY UPON COMPLETION OF BACKFILLING.
- B9. ALL DRAINAGE PIPE INLETS TO BE CAPPED UNTIL :
A) DOWNPIPES CONNECTED
B) PITS CONSTRUCTED AND PROTECTED WITH SILT BARRIER
- B10. SILT FENCE MAINTENANCE INSPECTION TO BE CARRIED OUT EVERY 3 MONTHS AND AFTER EACH RAINFALL EVENT.
- B11. EROSION & SEDIMENT CONTROL SIGNAGE AVAILABLE FROM COUNCIL MUST BE ATTACHED TO THE MOST PROMINENT AVAILABLE STRUCTURE AND BE VISIBLE AT ALL TIMES WHEN ENTERING THE SITE FOR THE DURATION OF CONSTRUCTION.

LEGEND

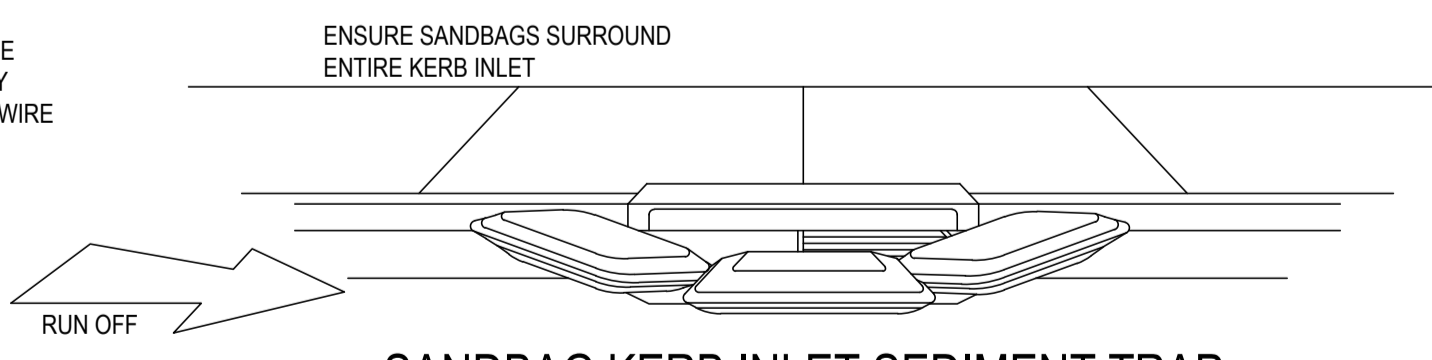
- STORMWATER SEDIMENT TRAPS AT ALL PROPOSED PIT INLETS
- TEMPORARY CONSTRUCTION VEHICLE EXIT
- SEDIMENT CONTROL FENCE
- STOCKPILE AREA
- SANDBAG KERB INLET SEDIMENT TRAP
- DIVERSION BANK
- 1% AEP FLOOD EXTENTS



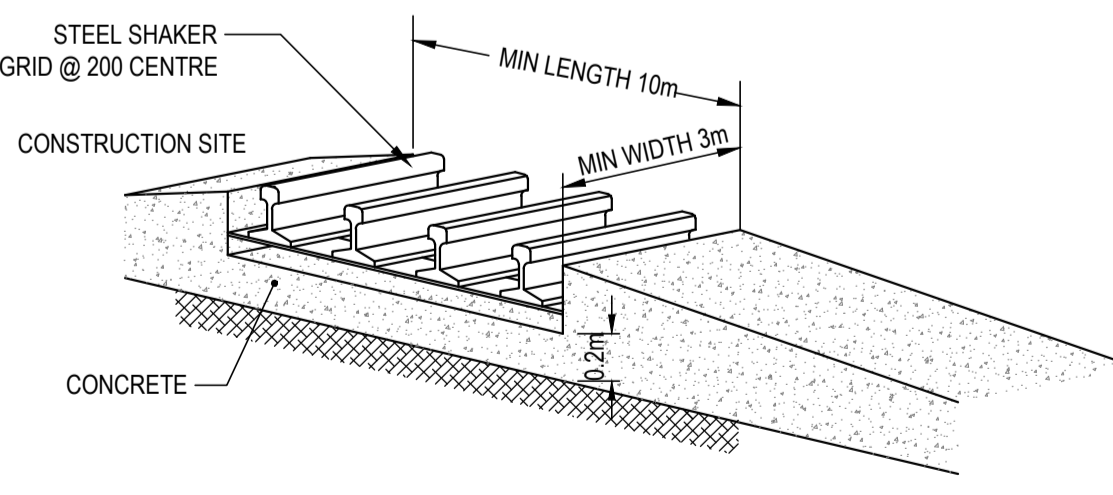
GEOTEXTILE FILTER FABRIC INLET SEDIMENT TRAP
N.T.S.



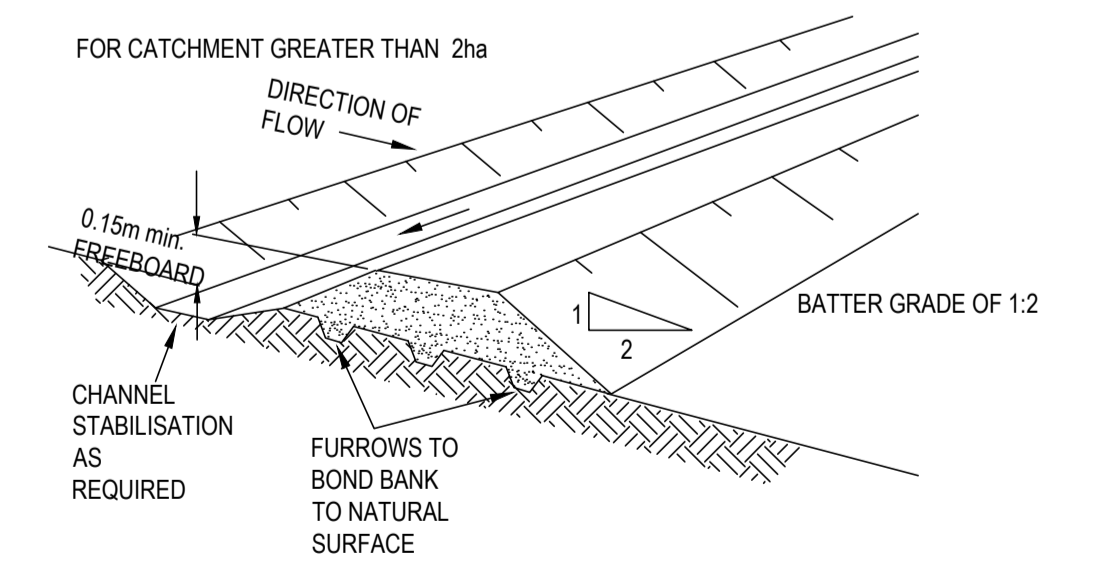
SEDIMENT CONTROL FENCE
N.T.S.



SANDBAG KERB INLET SEDIMENT TRAP
N.T.S.



TEMPORARY CONSTRUCTION VEHICLE EXIT
N.T.S.

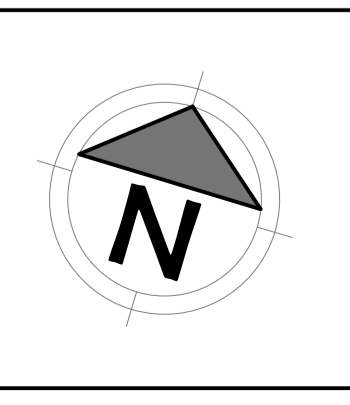


DIVERSION BANK AND CHANNEL
N.T.S.

REVISIONS:	
No.	REVISION DESCRIPTION
C	FOR DEVELOPMENT APPLICATION
B	UPDATED ADDRESS
A	FOR DEVELOPMENT APPLICATION

SCALE BAR
0 10 20 30 40 50m
SCALE 1:500

WHERE THE DRAWING HAS BEEN ALTERED, AMENDED OR CHANGED EITHER MANUALLY OR ELECTRONICALLY BY ANY THIRD PARTY, THIS IS AN UNCONTROLLED DOCUMENT ISSUED FOR INFORMATION PURPOSES ONLY UNLESS SIGNED. FIGURES DIMENSIONING TIME PRECEDENCE OVER SCALES. DO NOT SCALE REDUCED SIZE DRAWINGS. VERIFY DIMENSIONING PRIOR TO COMMENCING ANY ON-SITE OR OFF-SITE WORKS OR FABRICATION. IF IN DOUBT - ASK.



van der Meer Consulting
van der meer
LEVEL 6, 39 CHANDOS STREET
ST LEONARDS NSW 2065
Telephone 61-2-9436 0433 Fax 61-2-9436 1370

www.vandermeer.com.au
van der Meer (NSW) Pty Ltd
A.B.N. 56 158 266 301

CLIENT
EMKC
LEVEL 1, 140 BOURKE STREET
MELBOURNE, VIC 3000

ARCHITECT
-

PROJECT TITLE
PIPE MAKERS
75-87 DUNHEVED CIRCUIT
ST MARYS, NSW 2760

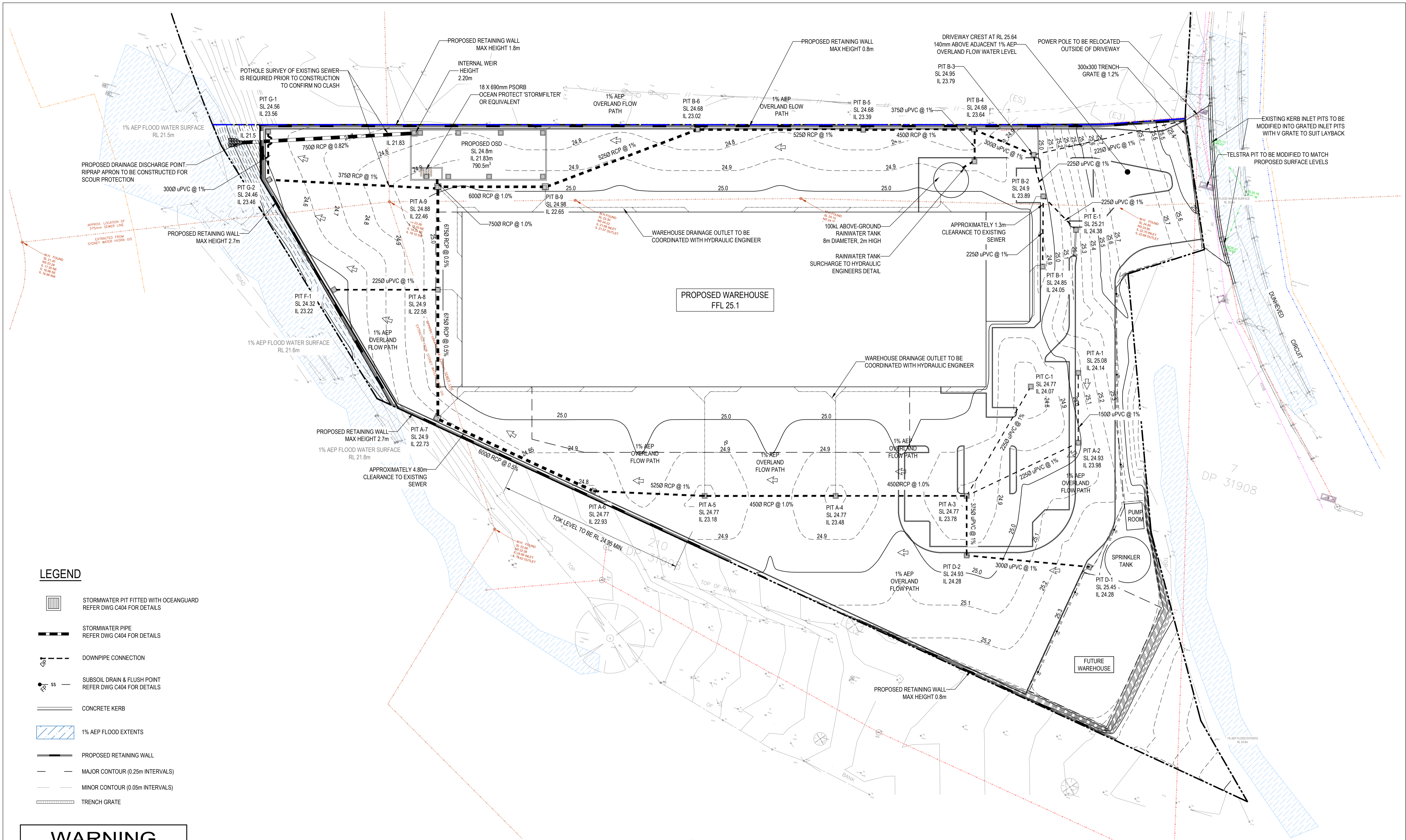
DRAWING TITLE
EROSION AND SEDIMENT CONTROL

DRAWING STATUS
APPROVAL ISSUE
NOT TO BE USED FOR CONSTRUCTION

PROJECT LEADER	DESIGNER	SIGNATURE
NT	LO	




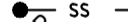






DRAFTSPERSON	SCALE	DATE	SHEET SIZE
LO	AS SHOWN	OCT 2021	A1

JOB No.	DRAWING No.	REVISION
SY202-159	C210	C



PLAN
SCALE 1:400

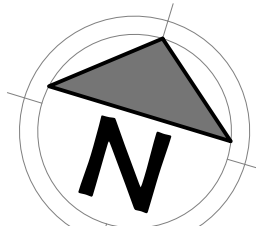
LEGEND

-  STORMWATER PIT FITTED WITH OCEANGUARD
REFER DWG C404 FOR DETAILS
-  STORMWATER PIPE
REFER DWG C404 FOR DETAILS
-  DOWNPIPE CONNECTION
-  SUBSOIL DRAIN & FLUSH POINT
REFER DWG C404 FOR DETAILS
-  CONCRETE KERB
-  1% AEP FLOOD EXTENTS
-  PROPOSED RETAINING WALL
-  MAJOR CONTOUR (0.25m INTERVALS)
-  MINOR CONTOUR (0.05m INTERVALS)
-  TRENCH GRATE

WARNING
BEWARE OF UNDERGROUND SERVICES
THE LOCATIONS OF UNDERGROUND SERVICES ARE APPROXIMATE ONLY AND THEIR EXACT POSITION SHOULD BE PROVEN ON SITE. NO GUARANTEE IS GIVEN THAT ALL EXISTING SERVICES ARE SHOWN.

NO.	REVISION DESCRIPTION	DRAWN	DATE
E	FOR DEVELOPMENT APPLICATION	LO	12.10.21
D	UPDATED TANK LOCATIONS	LO	17.05.21
C	UPDATED ADDRESS	LO	12.05.21
B	FOR DEVELOPMENT APPLICATION	LO	06.05.21
A	PRELIMINARY	LO	03.05.21

SCALE BAR
0 10 20 30 40m
SCALE 1:400



COPYRIGHT ©
THIS DRAWING IS COPYRIGHT AND THE PROPERTY OF VANDER MEER
(NSW) PTY LTD. IT MUST NOT BE RETAINED, COPIED OR USED WITHOUT
THE AUTHORITY OF VANDER MEER (NSW) PTY LTD.
DISCLAIMER:
THIS DRAWING AND ITS CONTENTS ARE ELECTRONICALLY GENERATED,
AND ARE CONFIDENTIAL AND MAY ONLY BE USED FOR THE PURPOSE FOR
WHICH THEY WERE INTENDED. VANDER MEER (NSW) PTY LTD. WILL NOT
ACCEPT RESPONSIBILITY FOR ANY CONSEQUENCES ARISING FROM THE
USE OF THIS DRAWING FOR OTHER THAN ITS INTENDED PURPOSE OR
IF IN DOUBT - ASK.

van der Meer Consulting
van der meer

LEVEL 6, 39 CHANDOS STREET
ST LEONARDS NSW 2065
Telephone 61-2-9436 0433 Fax 61-2-9436 1370

www.vandermeer.com.au
A.B.N. 56 158 266 301

CLIENT
EMKC
LEVEL 1, 140 BOURKE STREET
MELBOURNE, VIC 3000

ARCHITECT
-

PROJECT TITLE
PIPE MAKERS
75-87 DUNHEVED CIRCUIT
ST MARYS, NSW 2760

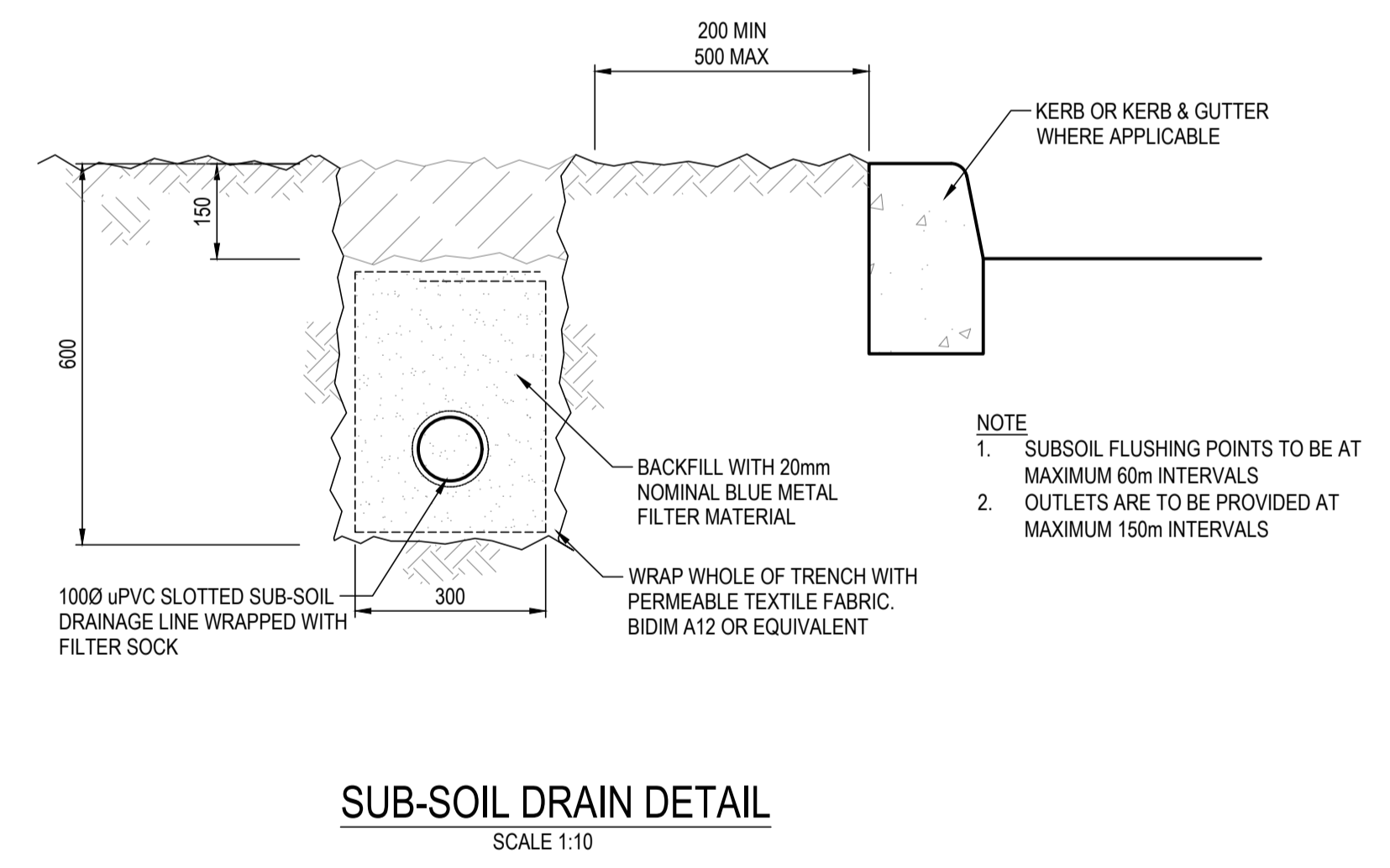
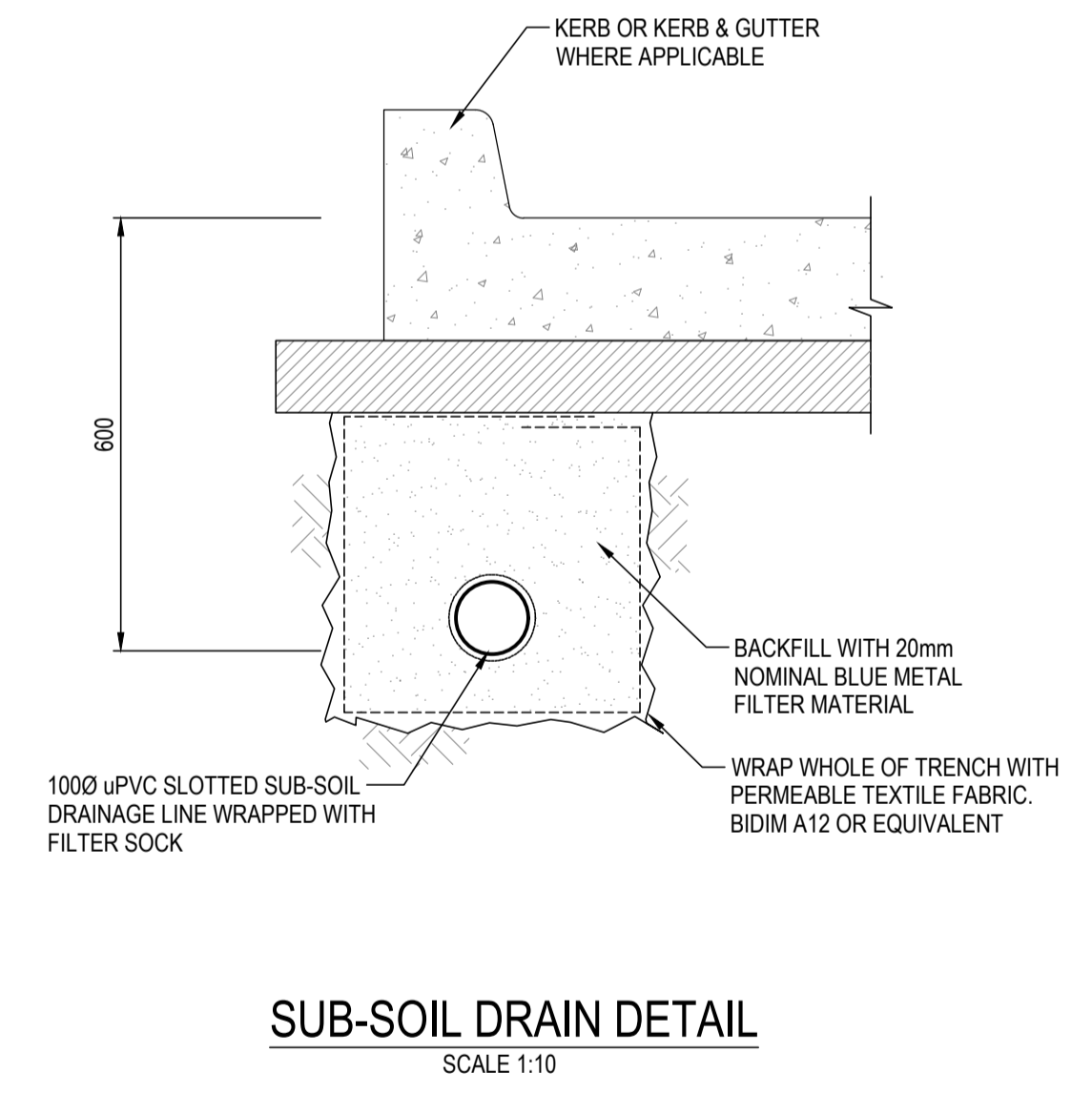
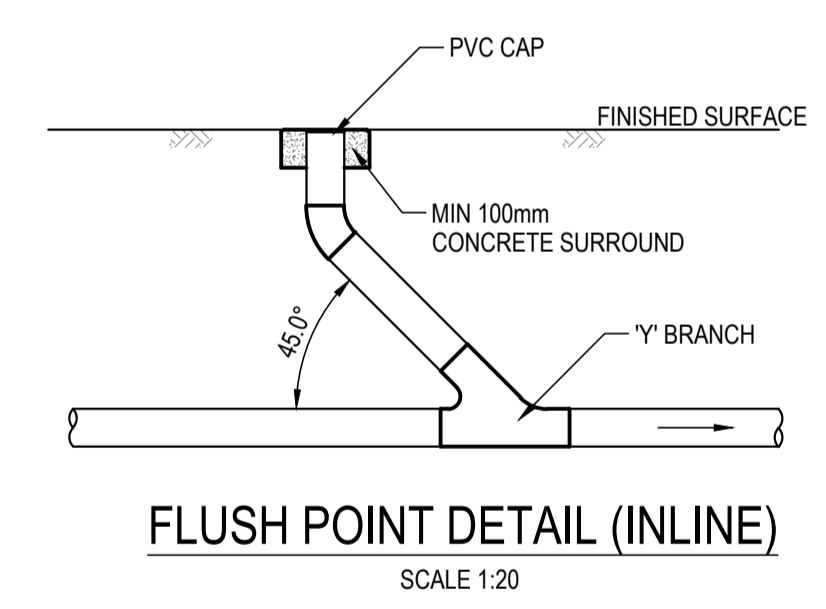
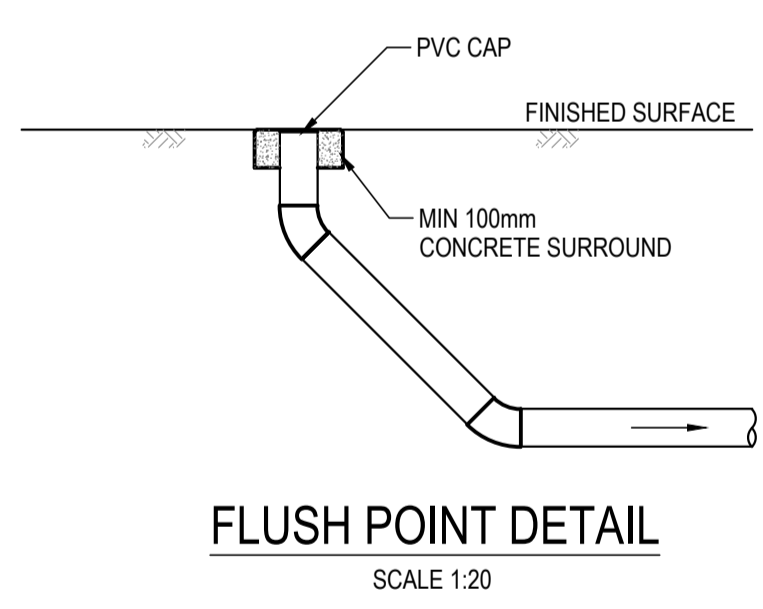
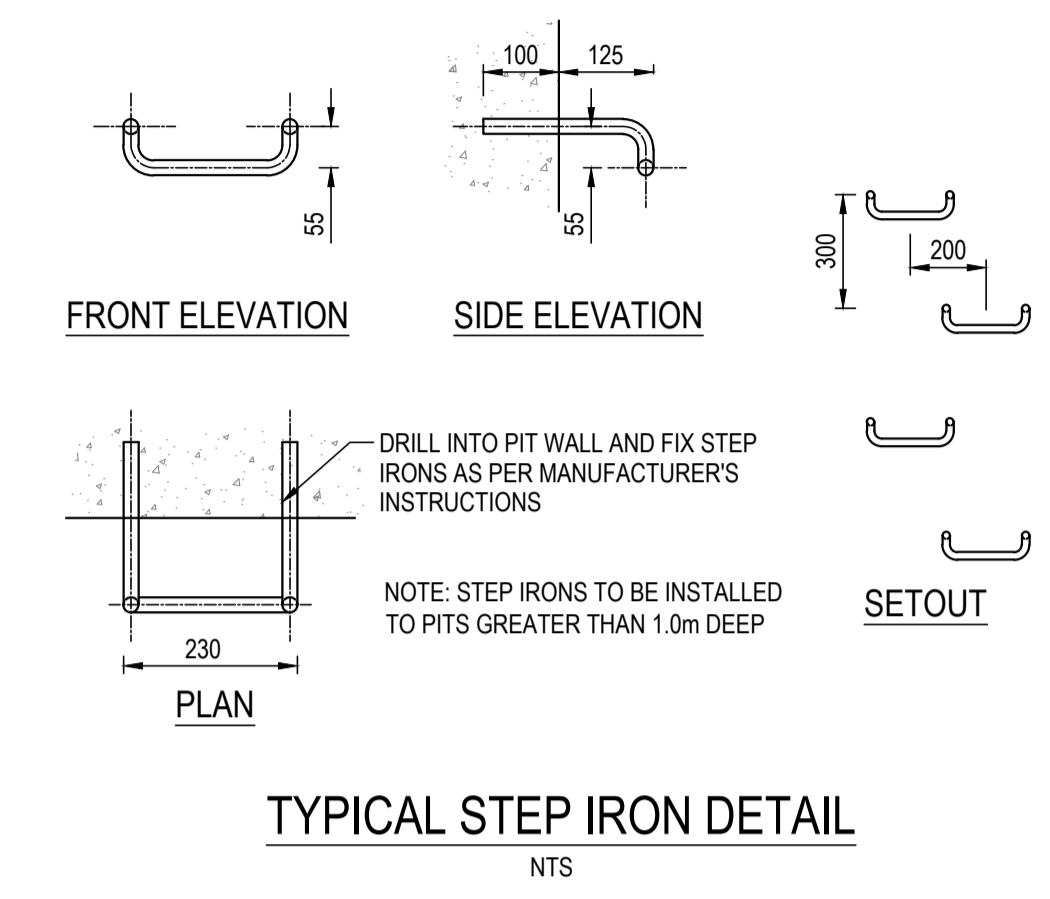
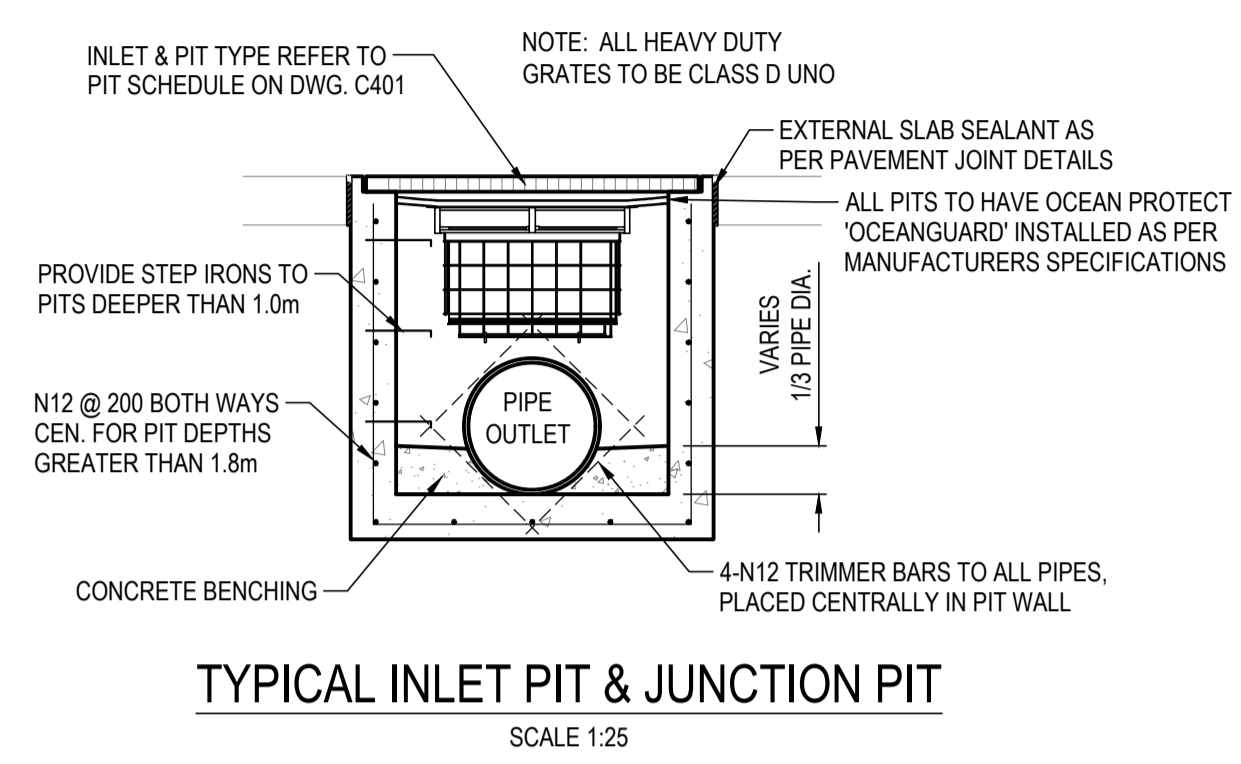
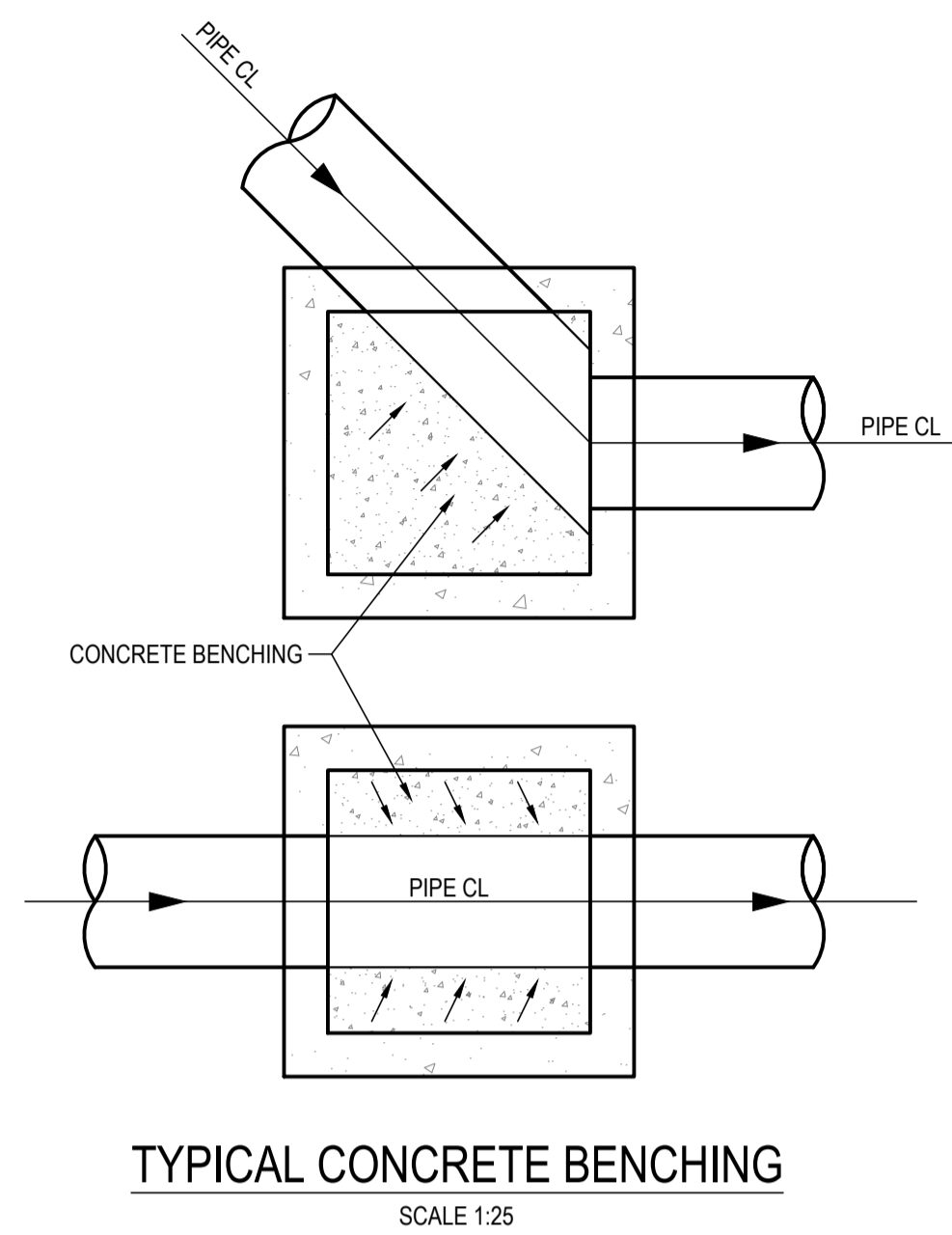
DRAWING TITLE
DRAINAGE LAYOUT

DRAWING STATUS
APPROVAL ISSUE
NOT TO BE USED FOR CONSTRUCTION

PROJECT LEADER	DESIGNER	SIGNATURE
NT	LO	

DRAFTSPERSON	SCALE	DATE	SHEET SIZE
LO	AS SHOWN	OCT 2021	A1

JOB No.	DRAWING No.	REVISION
SY202-159	C401	E



REVISIONS:	NO.	REVISION DESCRIPTION	DRAWN	DATE
C	FOR DEVELOPMENT APPLICATION	LO	12.10.21	
B	UPDATED ADDRESS	LO	12.05.21	
A	FOR DEVELOPMENT APPLICATION	HB	06.05.21	

SCALE BAR

0 1 2 3 4 5 1m 1.5 2m

SCALE 1:20

0 1 2 3 4 5 1m 1.5 2m

SCALE 1:25

COPYRIGHT © THIS DRAWING IS THE PROPERTY OF VAN DER MEER (NSW) PTY LTD. IT MUST NOT BE REPRODUCED, COPIED OR USED WITHOUT THE AUTHORITY OF VAN DER MEER (NSW) PTY LTD. THIS DRAWING AND ITS CONTENTS ARE ELECTRONICALLY GENERATED, ARE CONFIDENTIAL AND MAY ONLY BE USED FOR THE PURPOSE FOR WHICH THEY WERE INTENDED. VAN DER MEER (NSW) PTY LTD. WILL NOT ACCEPT RESPONSIBILITY FOR ANY CONSEQUENCES ARISING FROM THE USE OF THIS DRAWING FOR OTHER THAN ITS INTENDED PURPOSE OR WHERE THE DRAWING HAS BEEN ALTERED, AMENDED OR CHANGED EITHER MANUALLY OR ELECTRONICALLY BY ANY THIRD PARTY. THIS IS AN UNCONTROLLED DOCUMENT ISSUED FOR INFORMATION PURPOSES ONLY UNLESS SIGNED. FIGURES DIMENSIONING TAKE PRECEDENCE OVER SCALES. DO NOT SCALE REDUCED SIZE DRAWINGS. VERIFY DIMENSIONS PRIOR TO COMMENCING ANY ON-SITE OR OFF-SITE WORKS OR FABRICATION. IF IN DOUBT - ASK.

van der Meer Consulting

van der meer

LEVEL 6, 39 CHANDOS STREET
ST LEONARDS NSW 2065
Telephone 61-2-9436 0433 Fax 61-2-9436 1370

www.vandermeer.com.au
van der Meer (NSW) Pty Ltd
A.B.N. 56 158 266 301

CLIENT
EMKC
LEVEL 1, 140 BOURKE STREET
MELBOURNE, VIC 3000

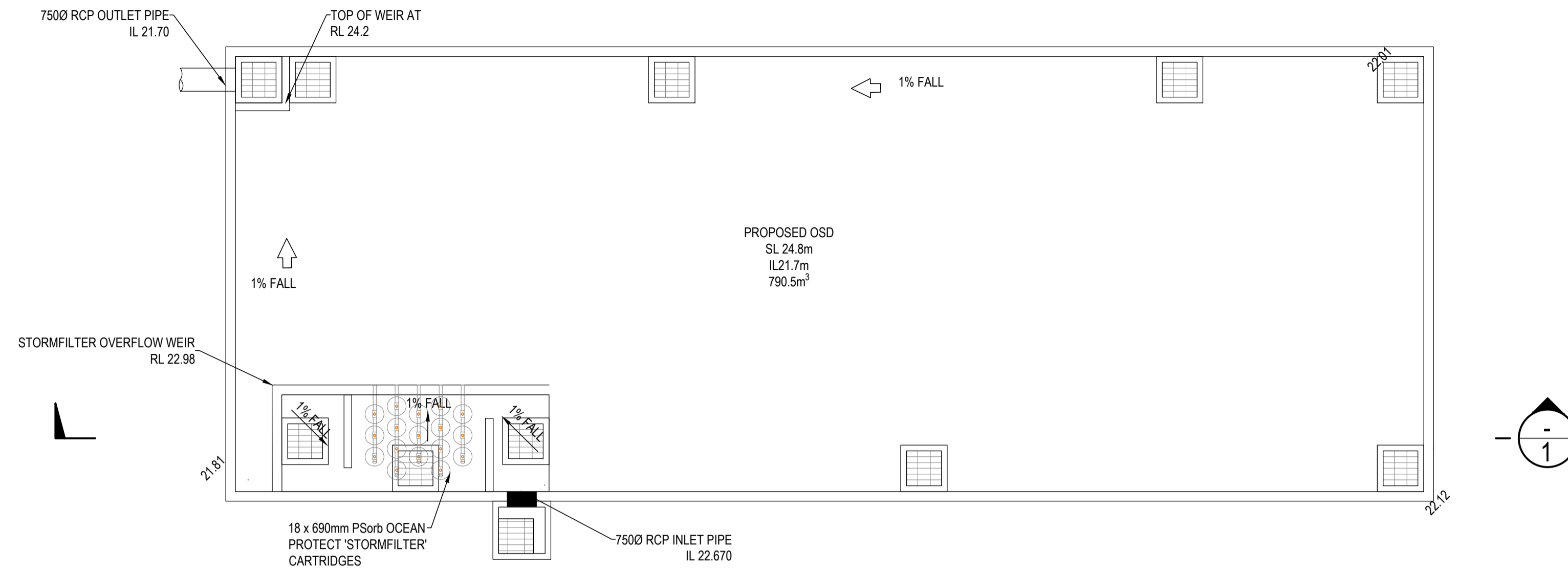
ARCHITECT
-

PROJECT TITLE
PIPE MAKERS
75-87 DUNHEVED CIRCUIT
ST MARYS, NSW 2760

DRAWING TITLE
DRAINAGE DETAILS

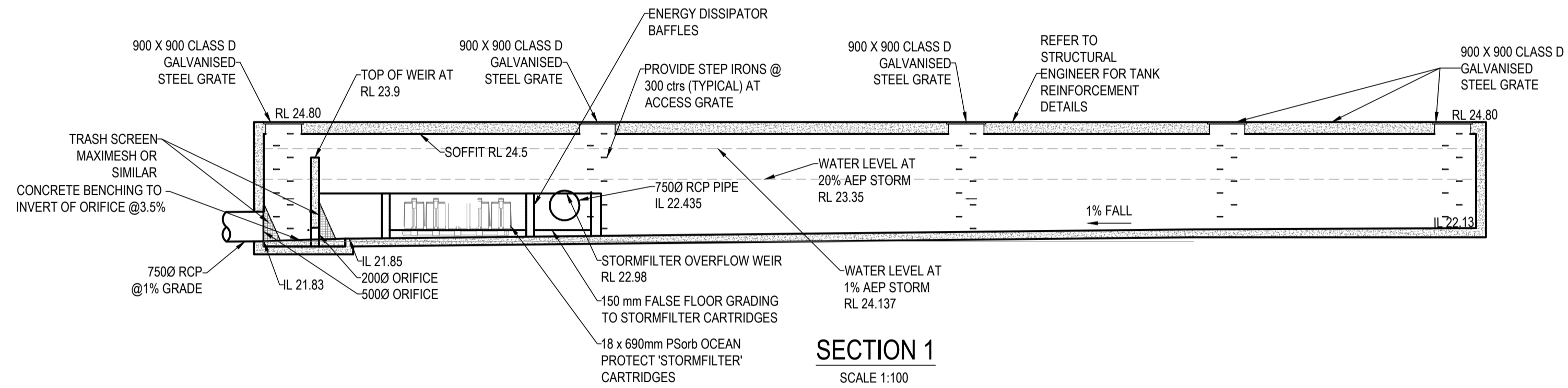
DRAWING STATUS
APPROVAL ISSUE
NOT TO BE USED FOR CONSTRUCTION

PROJECT LEADER NT	DESIGNER LO	SIGNATURE	
DRAFTSPERSON LO	SCALE AS SHOWN	DATE OCT 2021	SHEET SIZE A1
JOB No. SY202-159	DRAWING No. C404	REVISION C	



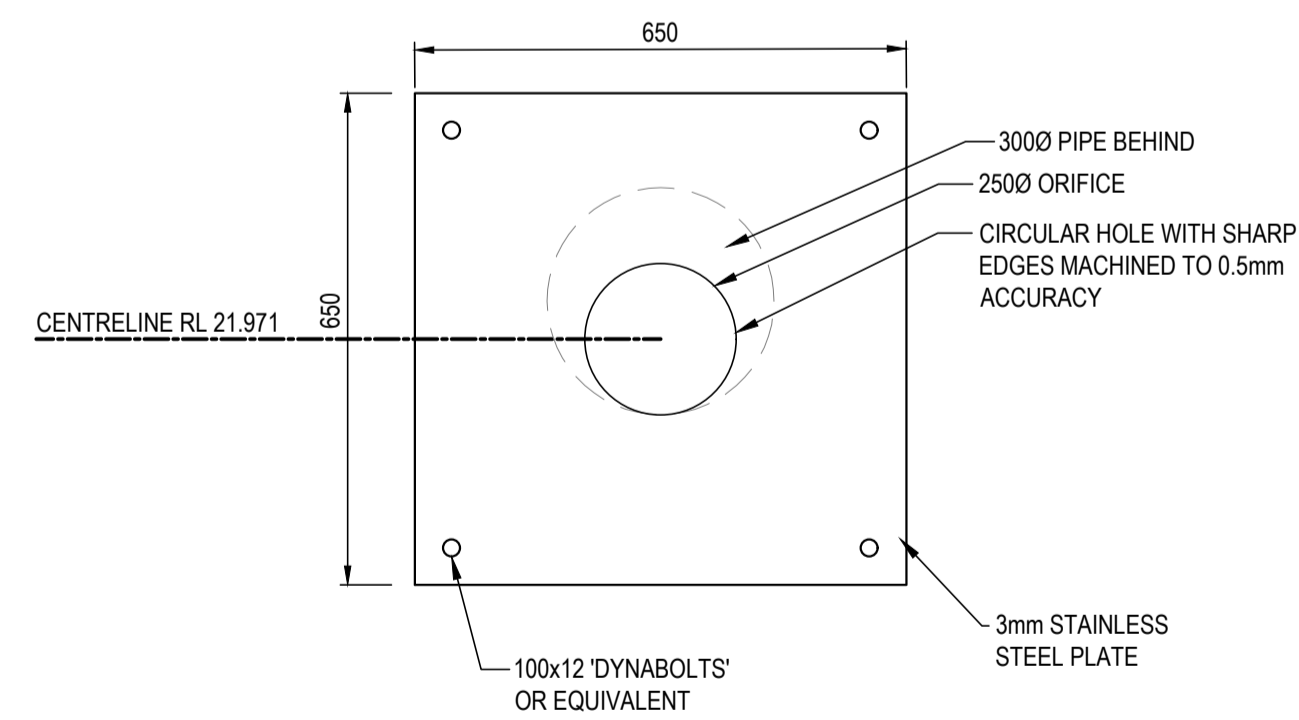
ON-SITE DETENTION TANK DETAIL

SCALE 1:100



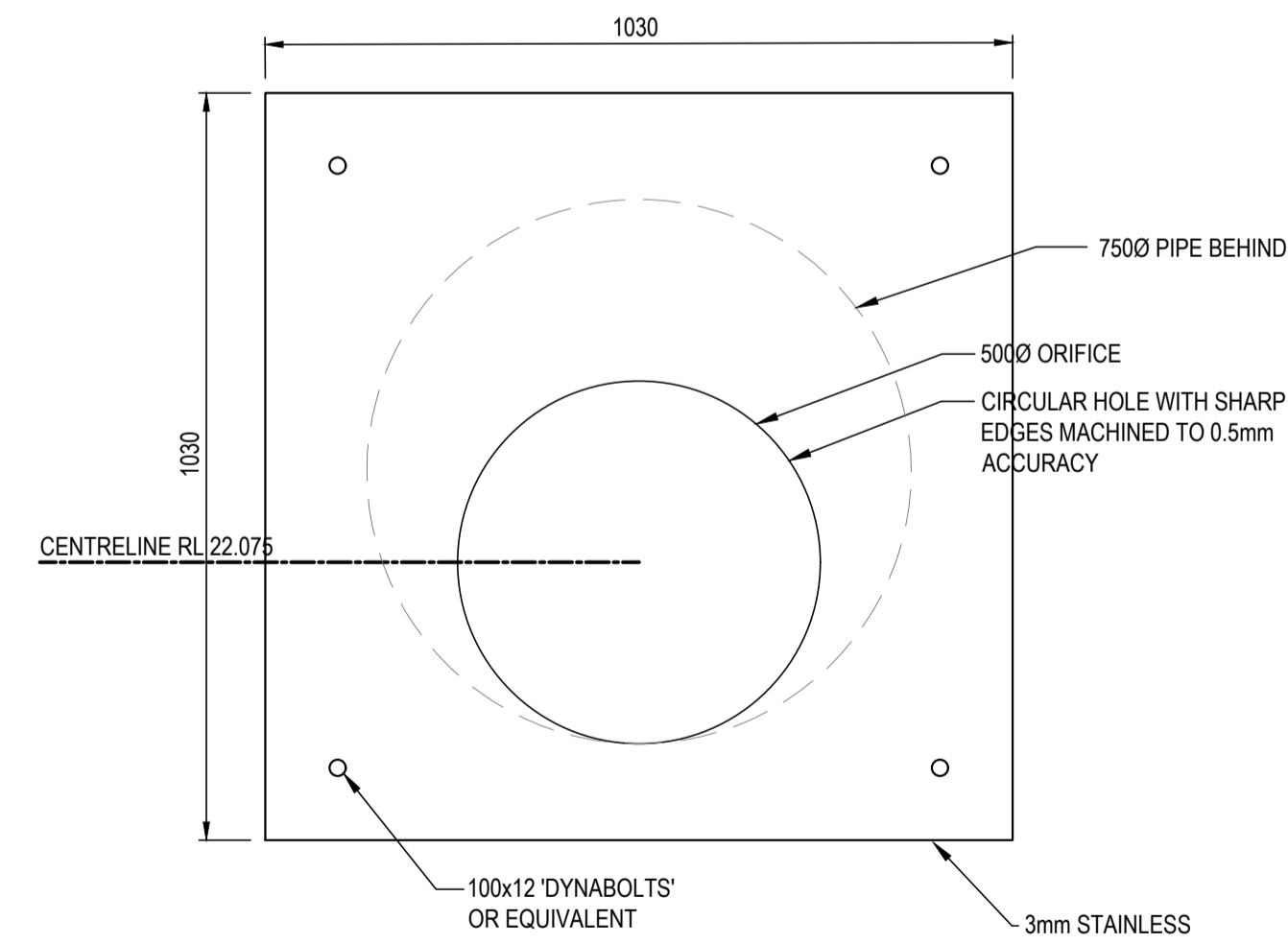
SECTION 1

SCALE 1:100



MINOR STORM ORIFICE PLATE DETAIL

SCALE 1:10



MAJOR STORM ORIFICE PLATE DETAIL

SCALE 1:10

NO.	REVISION DESCRIPTION	DRAWN	DATE
C	FOR DEVELOPMENT APPLICATION	LO	12.10.21
B	UPDATED ADDRESS	LO	12.05.21
A	FOR DEVELOPMENT APPLICATION	LO	06.05.21

SCALE BAR: 0 1 2 3 4 5m

SCALE 1:10: 0 1 2 3 4 5m

SCALE 1:100: 0 1 2 3 4 5m

COPYRIGHT © THIS DRAWING IS COPYRIGHT AND THE PROPERTY OF VAN DER MEER (NSW) PTY LTD. IT MUST NOT BE REPRODUCED, COPIED OR USED WITHOUT THE AUTHORITY OF VAN DER MEER (NSW) PTY LTD. THIS DRAWING AND ITS CONTENTS ARE ELECTRONICALLY GENERATED. PRECEDENCE OVER SCALED, DO NOT SCALE REDUCED SIZE DRAWINGS, WHICH THEY WERE INTENDED. VAN DER MEER (NSW) PTY LTD. WILL NOT ACCEPT RESPONSIBILITY FOR ANY CONSEQUENCES ARISING FROM THE USE OF THIS DRAWING FOR OTHER THAN ITS INTENDED PURPOSE OR WHERE THE DRAWING HAS BEEN ALTERED, AMENDED OR CHANGED EITHER MANUALLY OR ELECTRONICALLY BY ANY THIRD PARTY. NOTE: THIS IS AN UNCONTROLLED DOCUMENT ISSUED FOR INFORMATION PURPOSES ONLY. UNLESS SIGNED, FIGURES DIMENSIONING TAKE PRECEDENCE OVER SCALED. DO NOT SCALE REDUCED SIZE DRAWINGS. VERIFY DIMENSIONS PRIOR TO COMMENCING ANY ON-SITE OR OFF-SITE WORKS OR FABRICATION. IF IN DOUBT - ASK.

van der Meer Consulting

van der meer

LEVEL 6, 39 CHANDOS STREET
ST LEONARDS NSW 2065
Telephone 61-2-9436 0433 Fax 61-2-9436 1370

www.vandermeer.com.au
van der Meer (NSW) Pty Ltd
A.B.N. 56 158 266 301

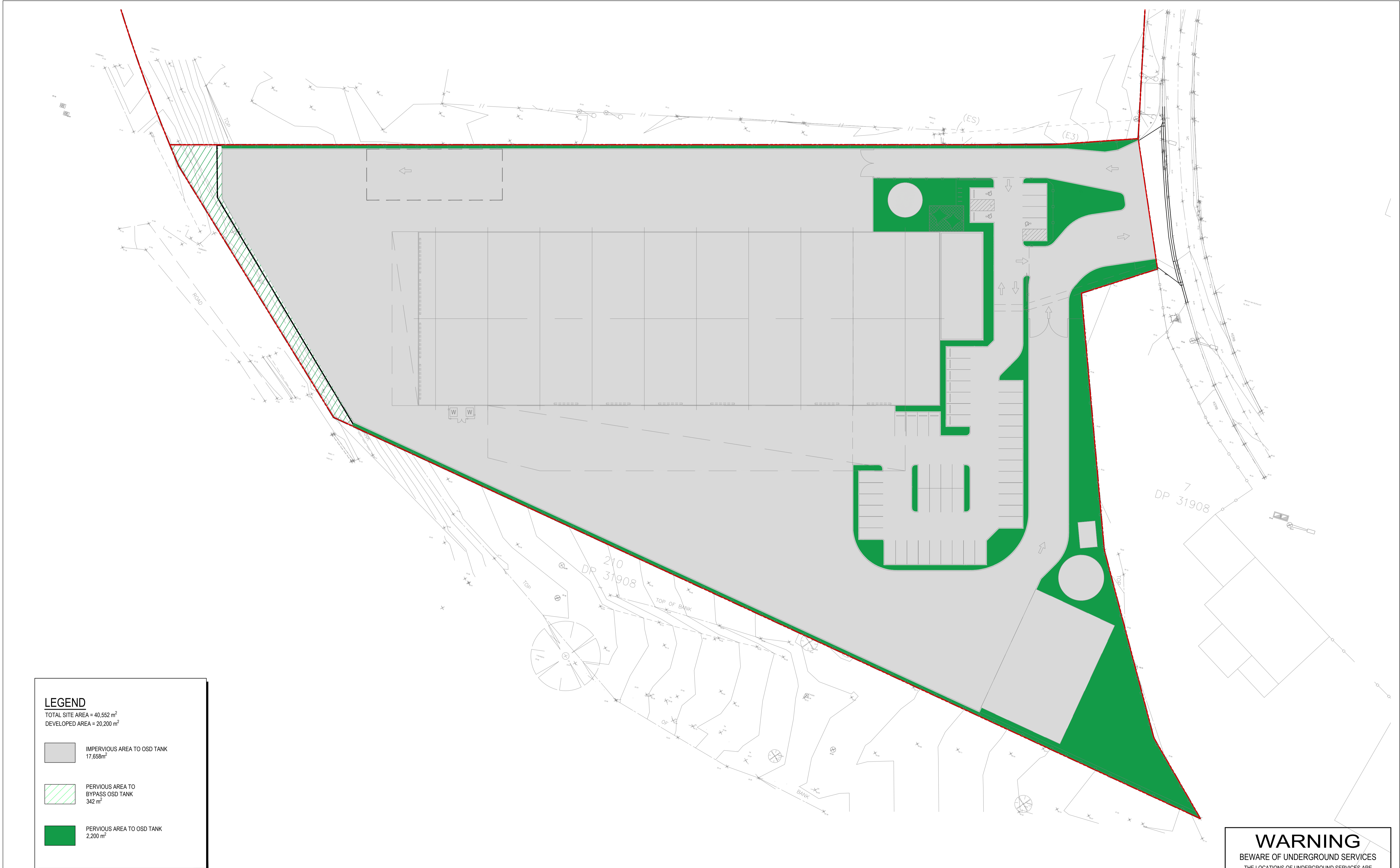
CLIENT: **EMKC**
LEVEL 1, 140 BOURKE STREET
MELBOURNE, VIC 3000

ARCHITECT: -

PROJECT TITLE: **PIPE MAKERS**
75-87 DUNHEVED CIRCUIT
ST MARYS, NSW 2760

DRAWING TITLE: **OSD TANK DETAILS**

DRAWING STATUS: APPROVAL ISSUE			
NOT TO BE USED FOR CONSTRUCTION			
PROJECT LEADER	DESIGNER	SIGNATURE	
NT	LO		
DRAFTSPERSON	SCALE	DATE	SHEET SIZE
LO	AS SHOWN	OCT 2021	A1
JOB No.	DRAWING No.	REVISION	
SY202-159	C405	C	



LEGEND
 TOTAL SITE AREA = 40,552 m²
 DEVELOPED AREA = 20,200 m²

- IMPERVIOUS AREA TO OSD TANK
17,658m²
- PERVIOUS AREA TO BYPASS OSD TANK
342 m²
- PERVIOUS AREA TO OSD TANK
2,200 m²

PLAN
 SCALE 1:400

WARNING
 BEWARE OF UNDERGROUND SERVICES
 THE LOCATIONS OF UNDERGROUND SERVICES ARE APPROXIMATE ONLY AND THEIR EXACT POSITION SHOULD BE PROVEN ON SITE. NO GUARANTEE IS GIVEN THAT ALL EXISTING SERVICES ARE SHOWN.

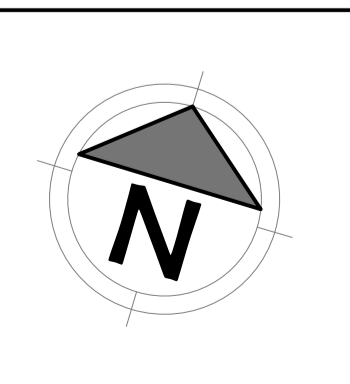
REVISIONS:			
No.	REVISION DESCRIPTION	DRAWN	DATE
D	FOR DEVELOPMENT APPLICATION	LO	12.10.21
C	UPDATED TANK LOCATIONS	LO	17.05.21
B	UPDATED ADDRESS	LO	12.05.21
A	FOR DEVELOPMENT APPLICATION	LO	06.05.21

SCALE BAR
 0 10 20 30 40m
 SCALE 1:400

van der Meer Consulting
 van der Meer (NSW) Pty Ltd
 LEVEL 6, 39 CHANDOS STREET
 ST LEONARDS NSW 2065
 Telephone 61-2-9436 0433 Fax 61-2-9436 1370

van der meer
 www.vandermeer.com.au
 van der Meer (NSW) Pty Ltd
 A.B.N. 56 158 266 301

van der Meer Consulting
 LEVEL 1, 140 BURKE STREET
 MELBOURNE, VIC 3000



van der Meer Consulting
 LEVEL 1, 140 BURKE STREET
 MELBOURNE, VIC 3000

CLIENT
 EMKC
 LEVEL 1, 140 BURKE STREET
 MELBOURNE, VIC 3000

ARCHITECT
 -
 -

PROJECT TITLE
 PIPE MAKERS
 75-87 DUNHEVED CIRCUIT
 ST MARYS, NSW 2760

DRAWING TITLE
 DRAINS CATCHMENT PLAN

DRAWING STATUS			
APPROVAL ISSUE			
NOT TO BE USED FOR CONSTRUCTION			
PROJECT LEADER	DESIGNER	SIGNATURE	
NT	LO		
DRAFTSPERSON	SCALE	DATE	SHEET SIZE
LO	AS SHOWN	OCT 2021	A1
JOB No.	DRAWING No.	REVISION	
SY202-159	C421	D	



LEGEND

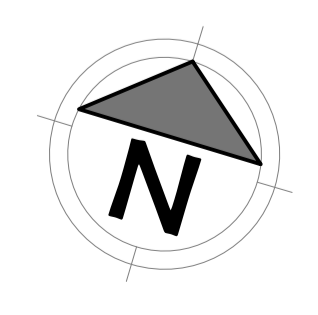
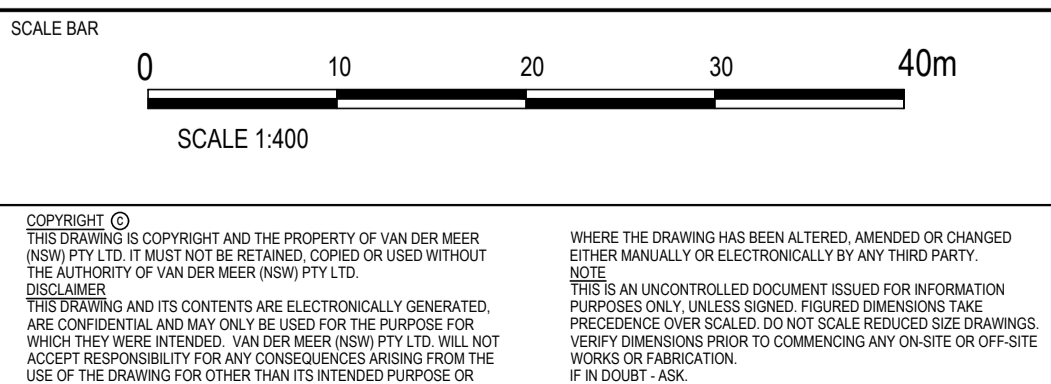
TOTAL SITE AREA = 40,552 m²
DEVELOPED AREA = 20,200 m²

- IMPERVIOUS AREA (RAINWATER)
7327 m²
- IMPERVIOUS AREA (INDUSTRIAL)
10,331 m²
- PERVIOUS AREA
2,200 m²
- PERVIOUS AREA (BYPASS)
342 m²

PLAN
SCALE 1:400

WARNING
BEWARE OF UNDERGROUND SERVICES
THE LOCATIONS OF UNDERGROUND SERVICES ARE APPROXIMATE ONLY AND THEIR EXACT POSITION SHOULD BE PROVEN ON SITE. NO GUARANTEE IS GIVEN THAT ALL EXISTING SERVICES ARE SHOWN.

REVISIONS:	NO.	REVISION DESCRIPTION	DRAWN	DATE
D	FOR DEVELOPMENT APPLICATION	LO	12.10.21	
C	UPDATED TANK LOCATIONS	LO	17.05.21	
B	UPDATED ADDRESS	LO	12.05.21	
A	FOR DEVELOPMENT APPLICATION	LO	06.05.21	



van der Meer Consulting
van der meer

LEVEL 6, 39 CHANDOS STREET
ST LEONARDS NSW 2065
Telephone 61-2-9436 0433 Fax 61-2-9436 1370

www.vandermeer.com.au
van der Meer (NSW) Pty Ltd
A.B.N. 56 158 266 301

CLIENT	EMKC LEVEL 1, 140 BOURKE STREET MELBOURNE, VIC 3000
ARCHITECT	-

PROJECT TITLE	PIPE MAKERS 75-87 DUNHEVED CIRCUIT ST MARYS, NSW 2760
DRAWING TITLE	MUSIC CATCHMENT PLAN

DRAWING STATUS			
APPROVAL ISSUE			
NOT TO BE USED FOR CONSTRUCTION			
PROJECT LEADER	DESIGNER	SIGNATURE	
NT	LO		
DRAFTSPERSON	SCALE	DATE	SHEET SIZE
LO	AS SHOWN	OCT 2021	A1
JOB No.	DRAWING No.	REVISION	
SY202-159	C422	D	