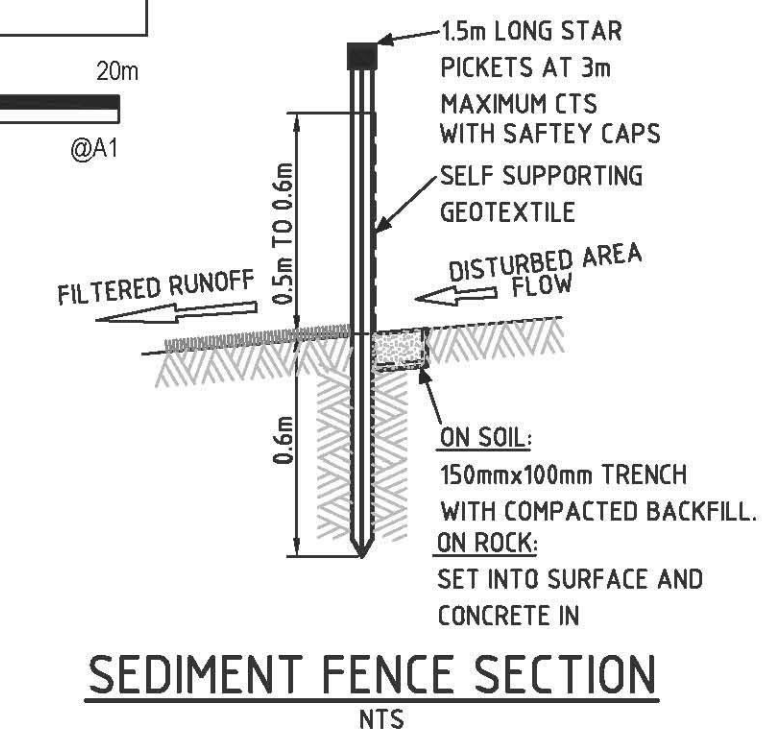
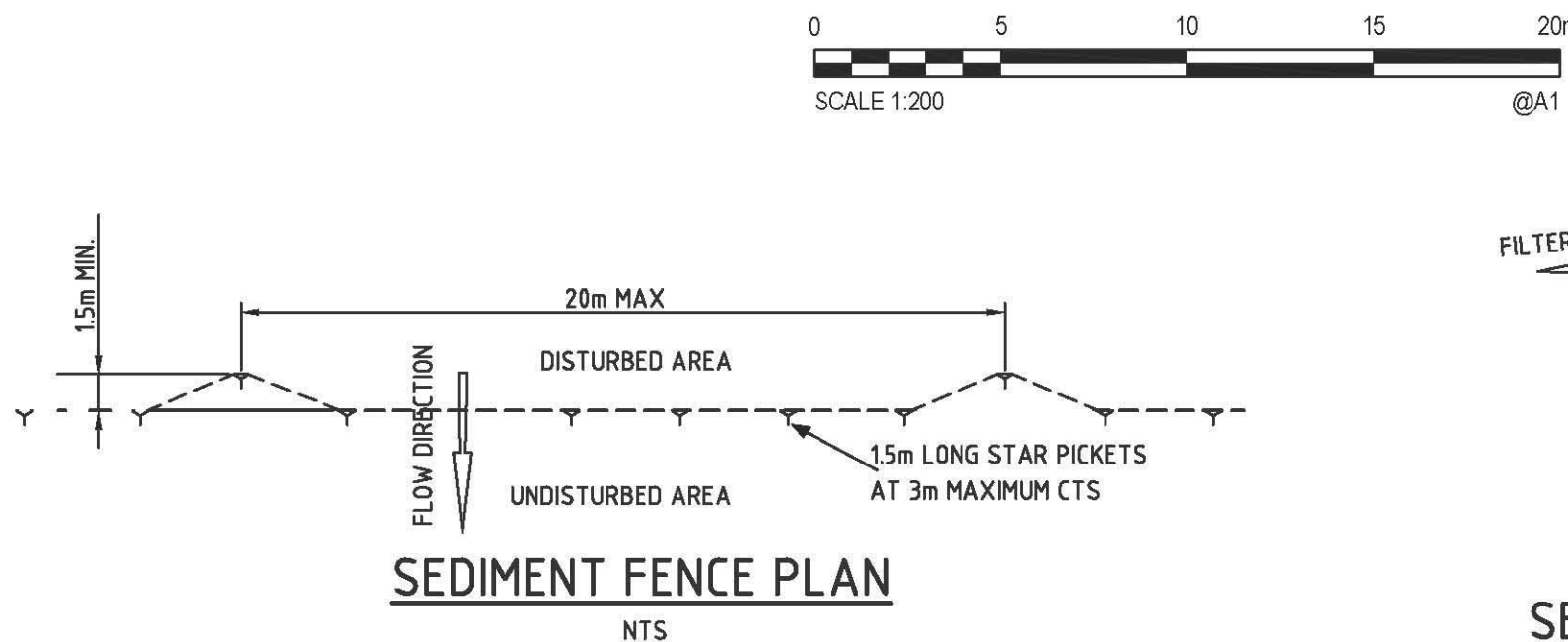


PLAN
SCALE 1:200



LEGEND

- LOT BOUNDARY
- SF SEDIMENT FENCE
- SEDIMENT TRAP SANDBAG
- PROPOSED KERB
- CARPARK EXTENSION BY ARCHITECTS
- PROPOSED STORMWATER DRAINAGE PIT AND PIPE BY ARCHITECT
- LIMIT OF WORKS
- DIRECTION OF FLOW

XREFS: XR-80216097-ARCH, XR-80216097-SED AND EROS, XR-80216097-SITEWORKS
CAD File: \\cardno.com\projects\overlander\Structure\Drawings\80216097-CI-1005.dwg

Rev	Date	Description	Des.	Verif.	Appd.
5	11/04/2019	ISSUED FOR COUNCIL APPROVAL	AER	ARM	ARM
4	6/03/2018	ISSUED FOR CONSTRUCTION	YNL	AE	GJN
3	6/02/2018	DRAFT CONSTRUCTION ISSUE	DJK	AE	GJN
2	19/07/2016	ISSUED FOR DA	AE	RA	RL
1	18/07/2016	DRAFT DA ISSUE	AE	RA	RL

© Cardno Limited All Rights Reserved.
This document is produced by Cardno Limited solely for the benefit of and use by the client in accordance with the terms of the retainer. Cardno Limited does not and shall not assume any responsibility or liability whatsoever to any third party arising out of any use or reliance by third party on the content of this document.

Cardno
Shaping the Future

Cardno (NSW/ACT) Pty Ltd | ABN 95 001 145 035
Level 9, The Forum, 203 Pacific Highway
St. Leonards, NSW 2055
Tel: 02 9496 7700 Fax: 02 9439 5170
Web: www.cardno.com.au

Drawn	TEJ	Date	14/07/2016
Checked	AE	Date	18/07/2016
Designed	AE	Date	14/07/2016
Verified	RA	Date	18/07/2016
Approved	RL	Date	18/07/2016

Client	BRISCOE HOTEL GROUP
Project	OVERLANDER HOTEL PENRITH CARPARK EXTENSION DRAINAGE WORKS
Title	SEDIMENT AND EROSION CONTROL PLAN

Status	FOR APPROVAL FOR CONSTRUCTION PURPOSES WHEN STAMPED				
Datum	AHD	Date	JULY 16	Scale	AS SHOWN
Drawing Number	80216097-CI-1005			Size	A1
Revision				Revision	5