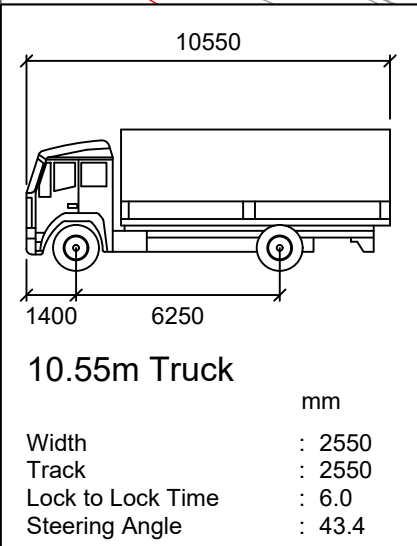
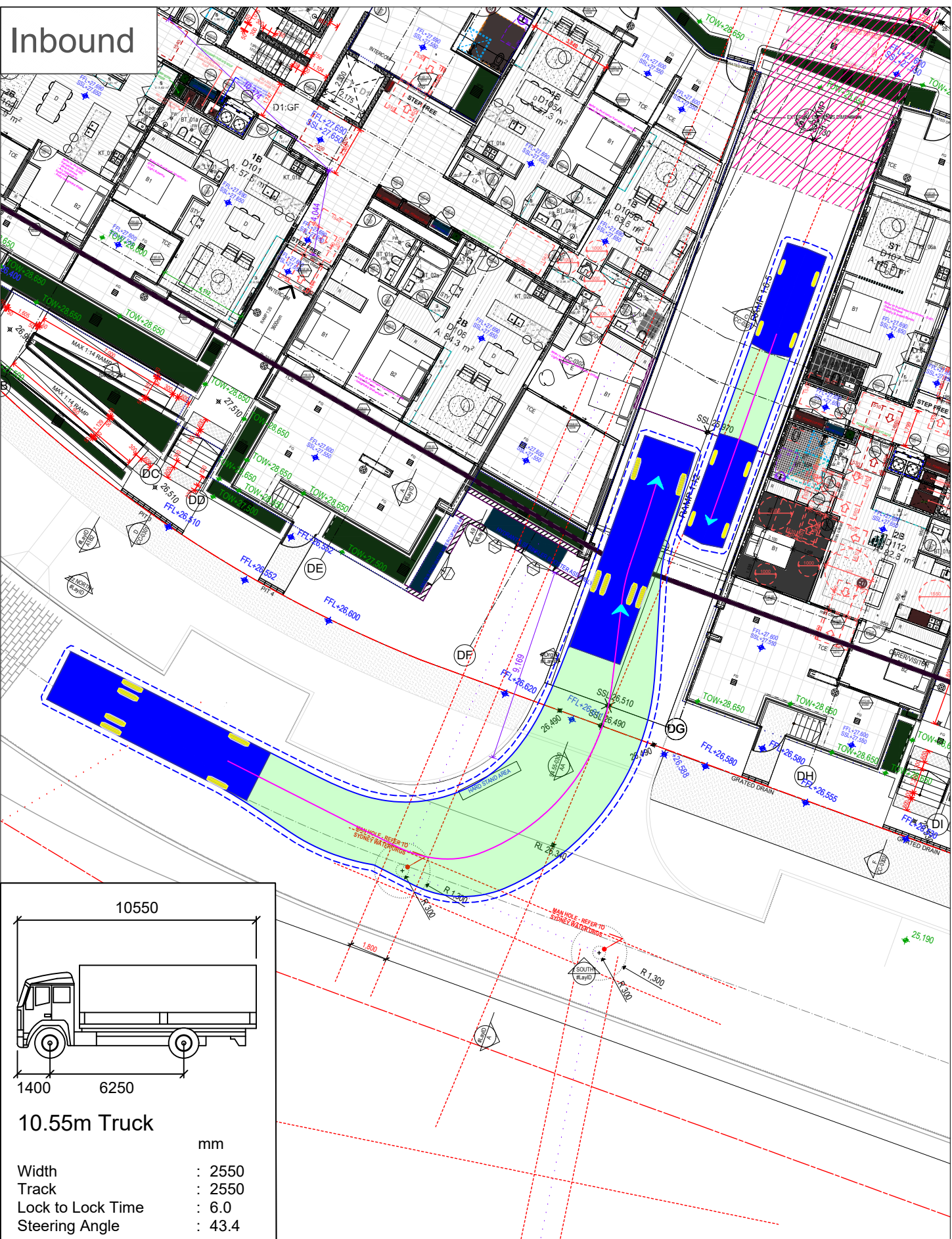
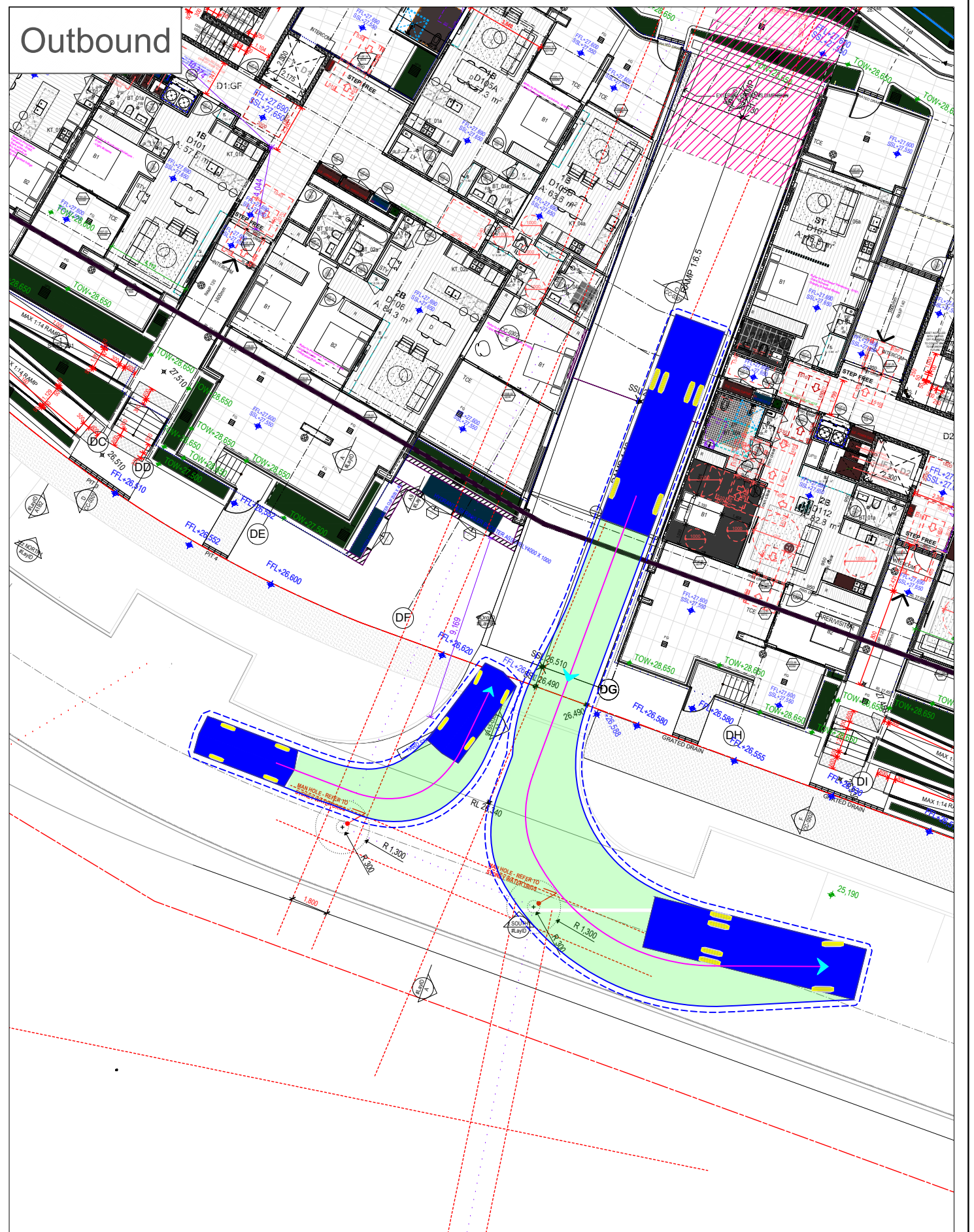


Inbound



Outbound



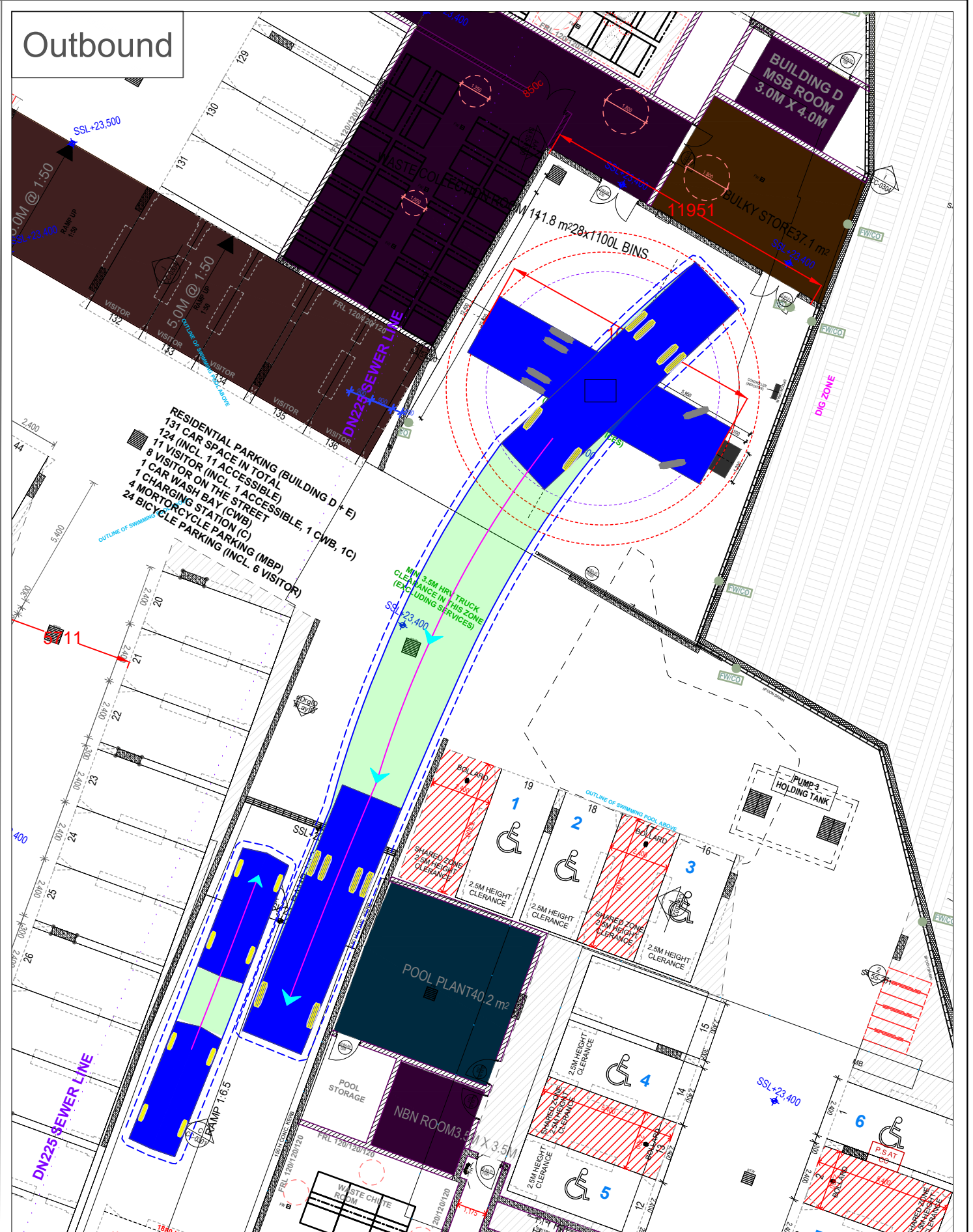
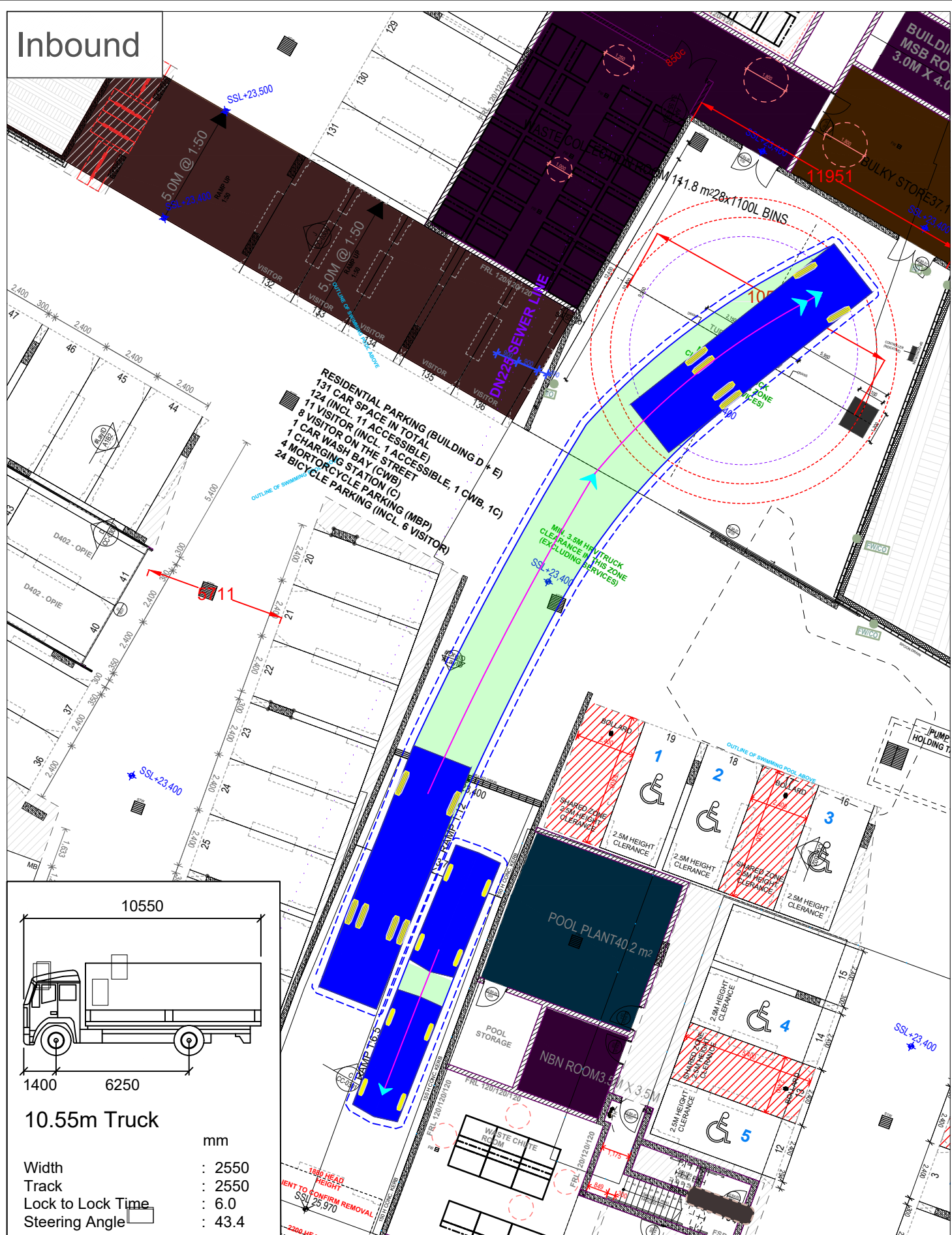
Swept Paths Assessment - Ground Floor  
10.5m Long Truck Entry / Exit movements



Panthers North Precinct, Penrith

Drawing Reference:  
075 - 201014





Swept Paths Assessment - Basement Level 1  
10.5m Long Truck Entry / Exit movements



Panthers North Precinct, Penrith

Drawing Reference:  
075 - 211014