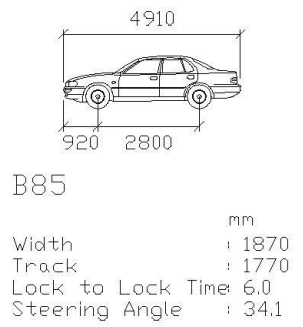
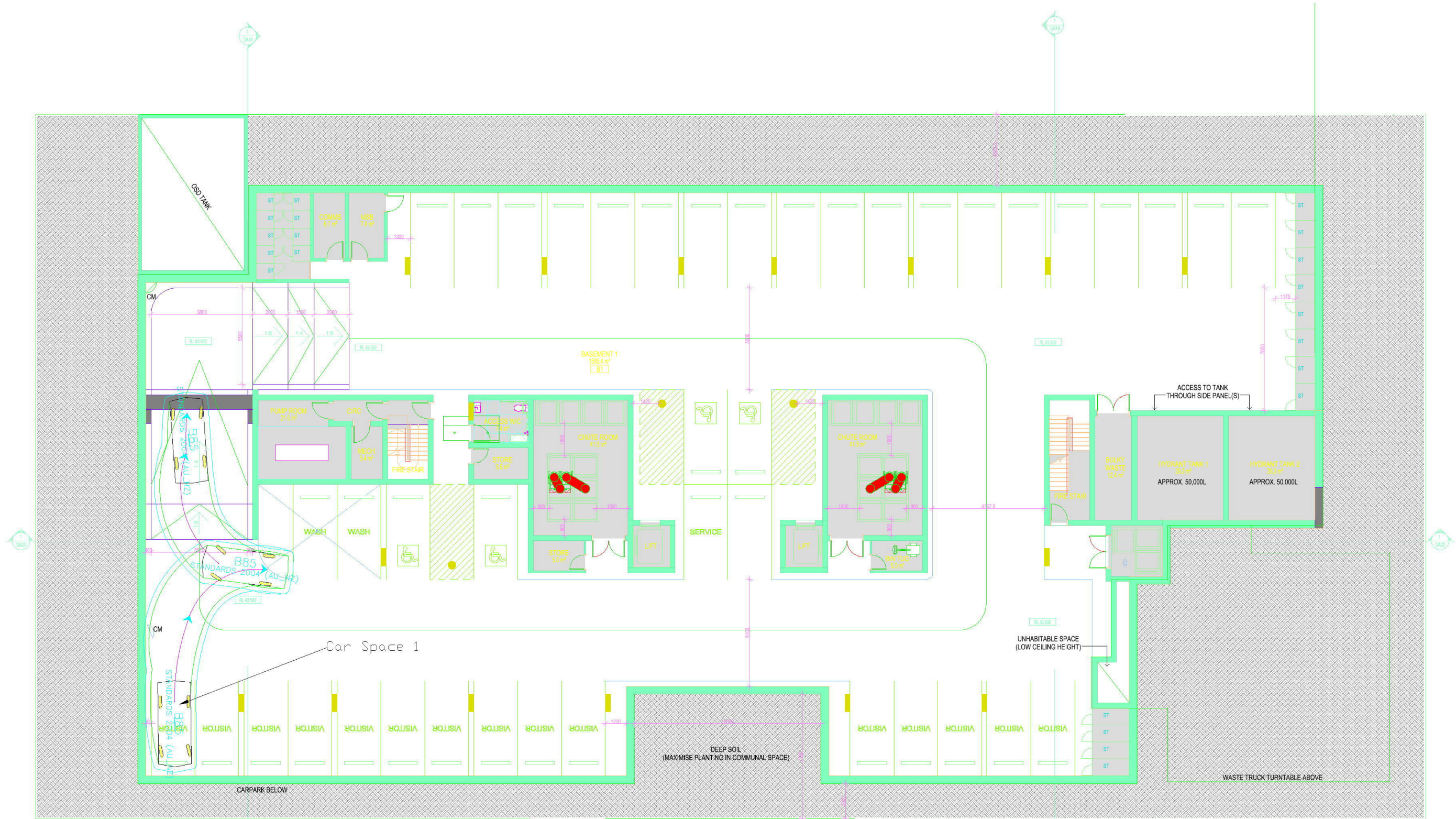
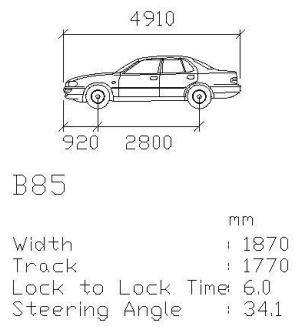


Upper Basement Car Space 1 Forward Inbound

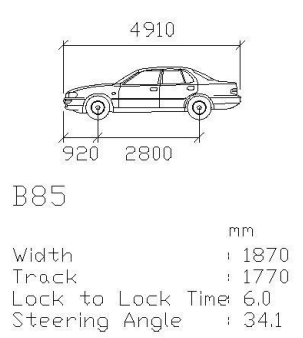


Upper Basement Car Space 1 Reverse Outbound

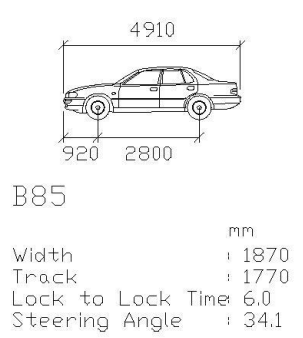
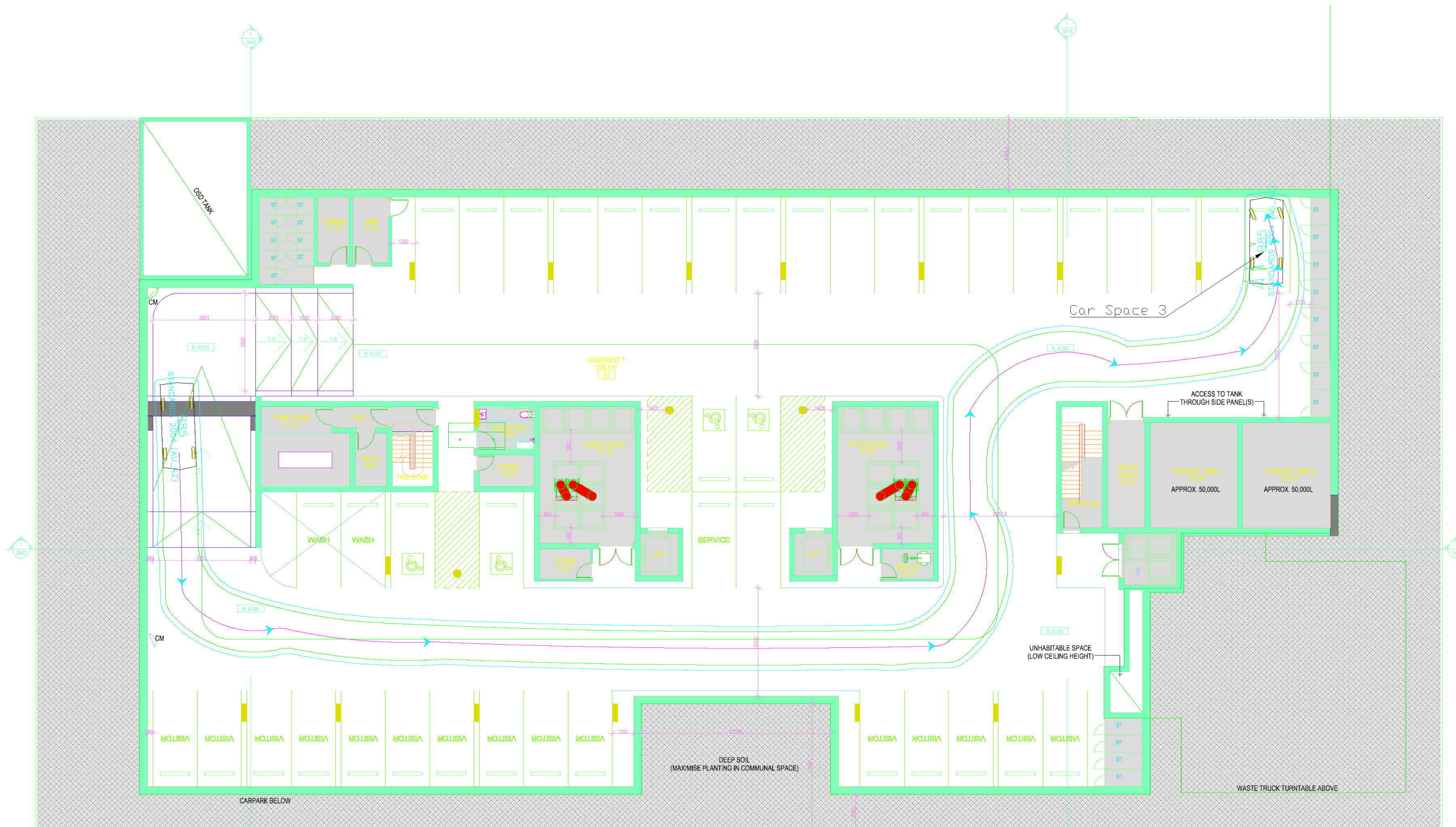


Upper Basement Car Space 2 Reverse Inbound

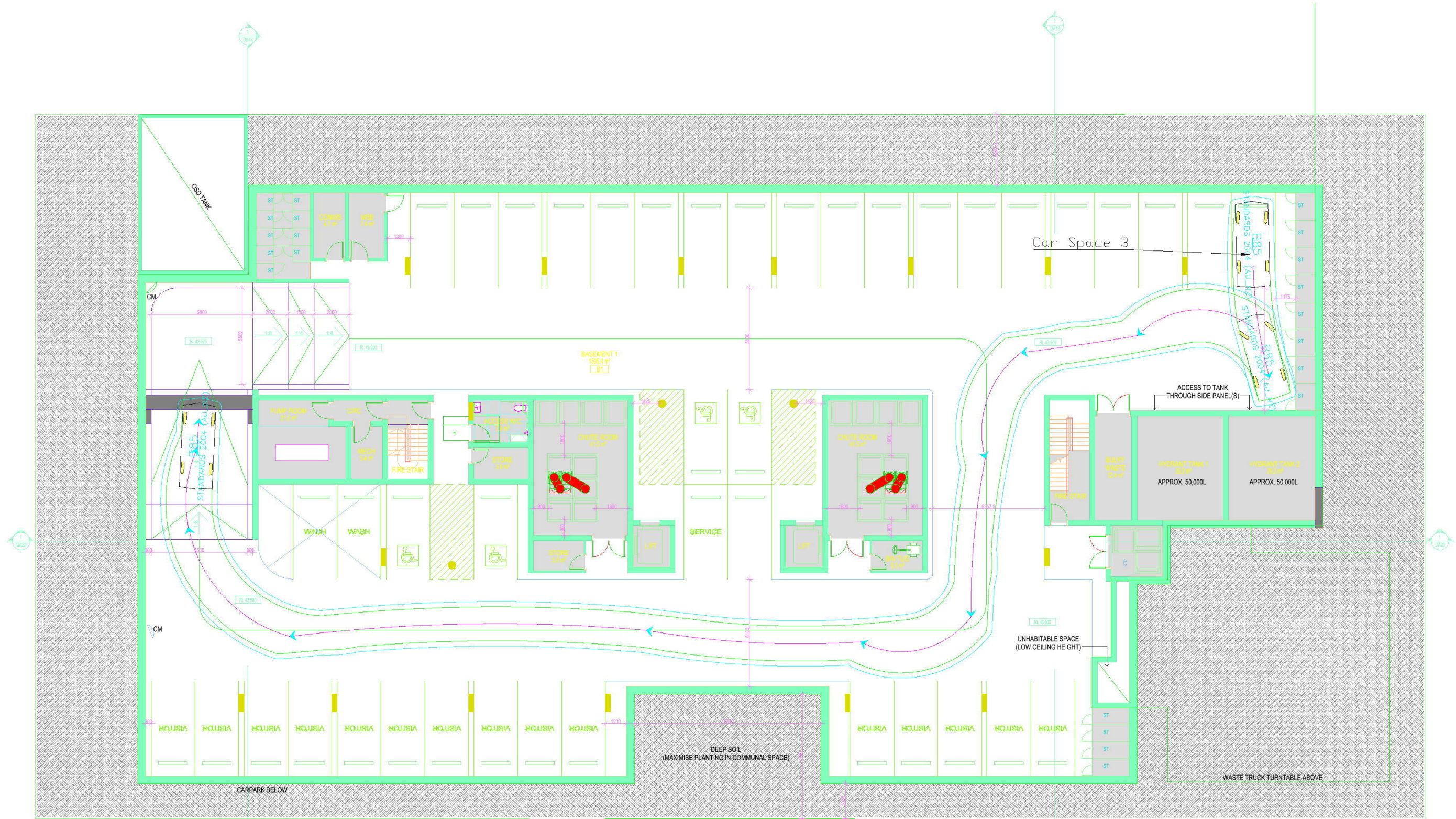
Car Space 2

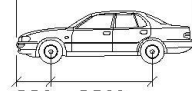


Upper Basement Car Space 2 Forward Outbound

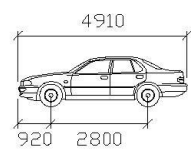
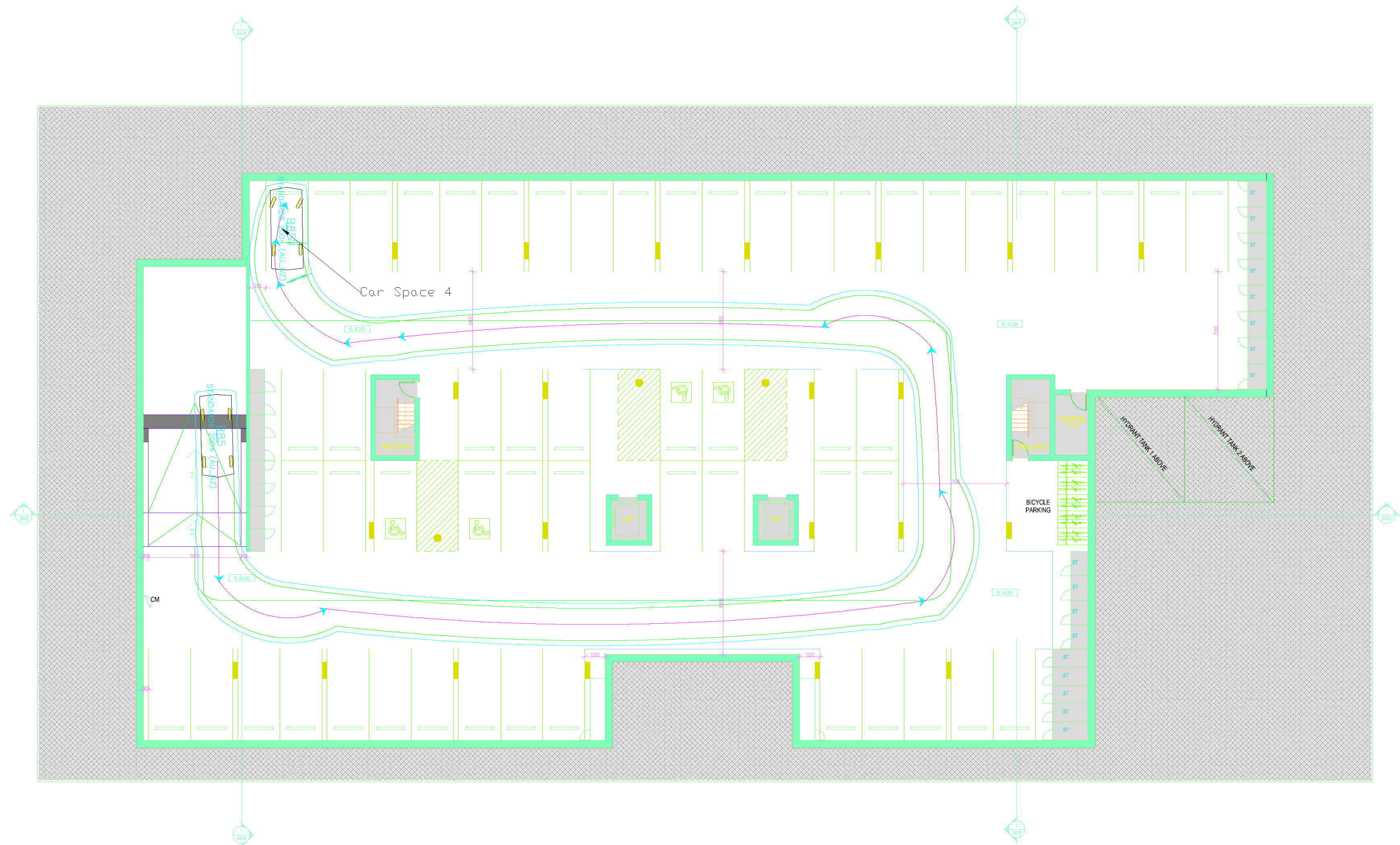


Upper Basement
 Car Space 3
 Forward Inbound



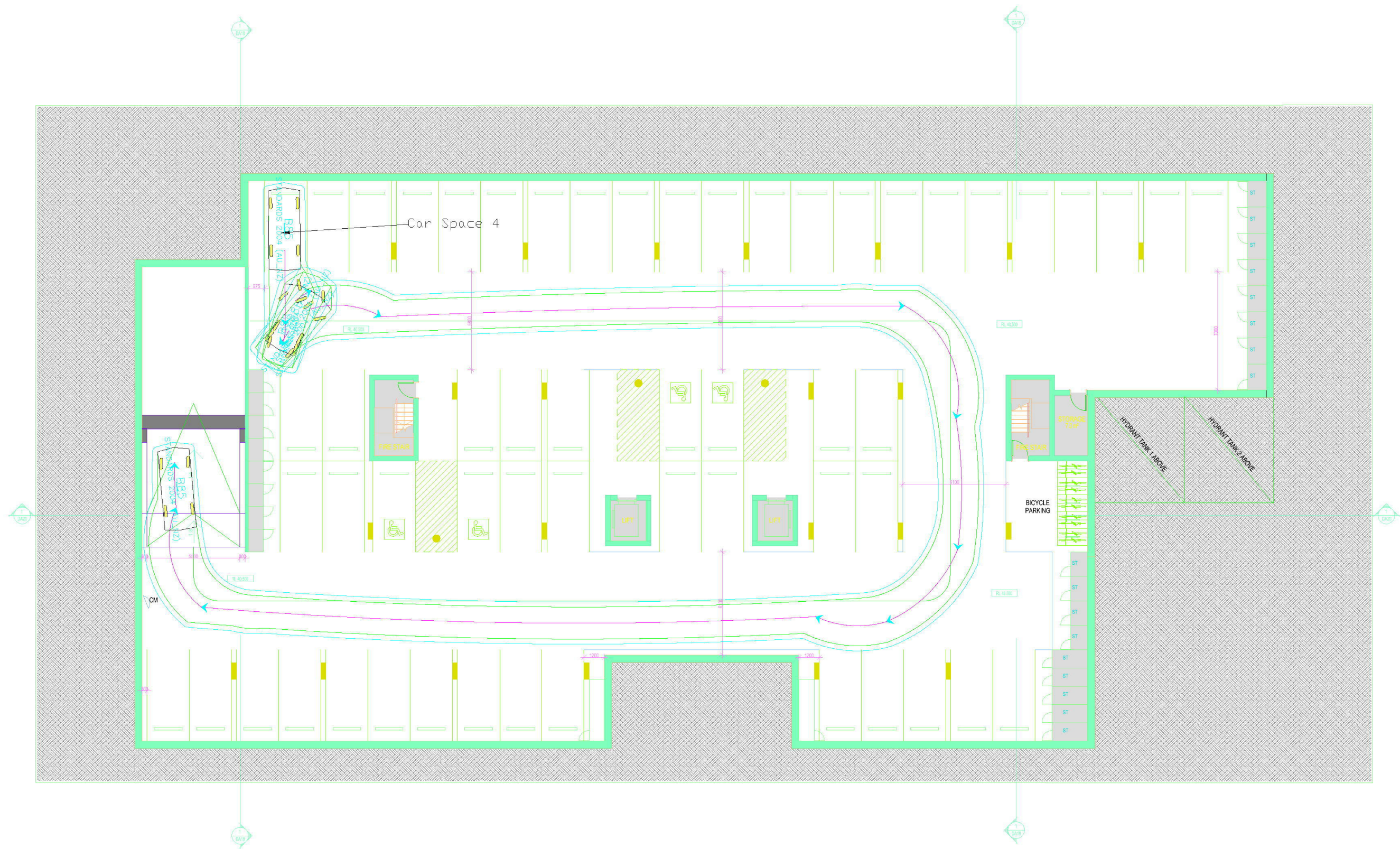
4910	
	
920	2800
B85	
	mm
Width	: 1870
Track	: 1770
Lock to Lock Time	: 6.0
Steering Angle	: 34.1

Upper Basement Car Space 3 Reverse Outbound

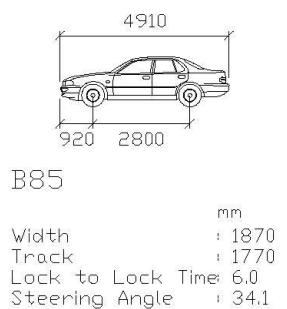


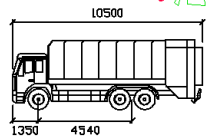
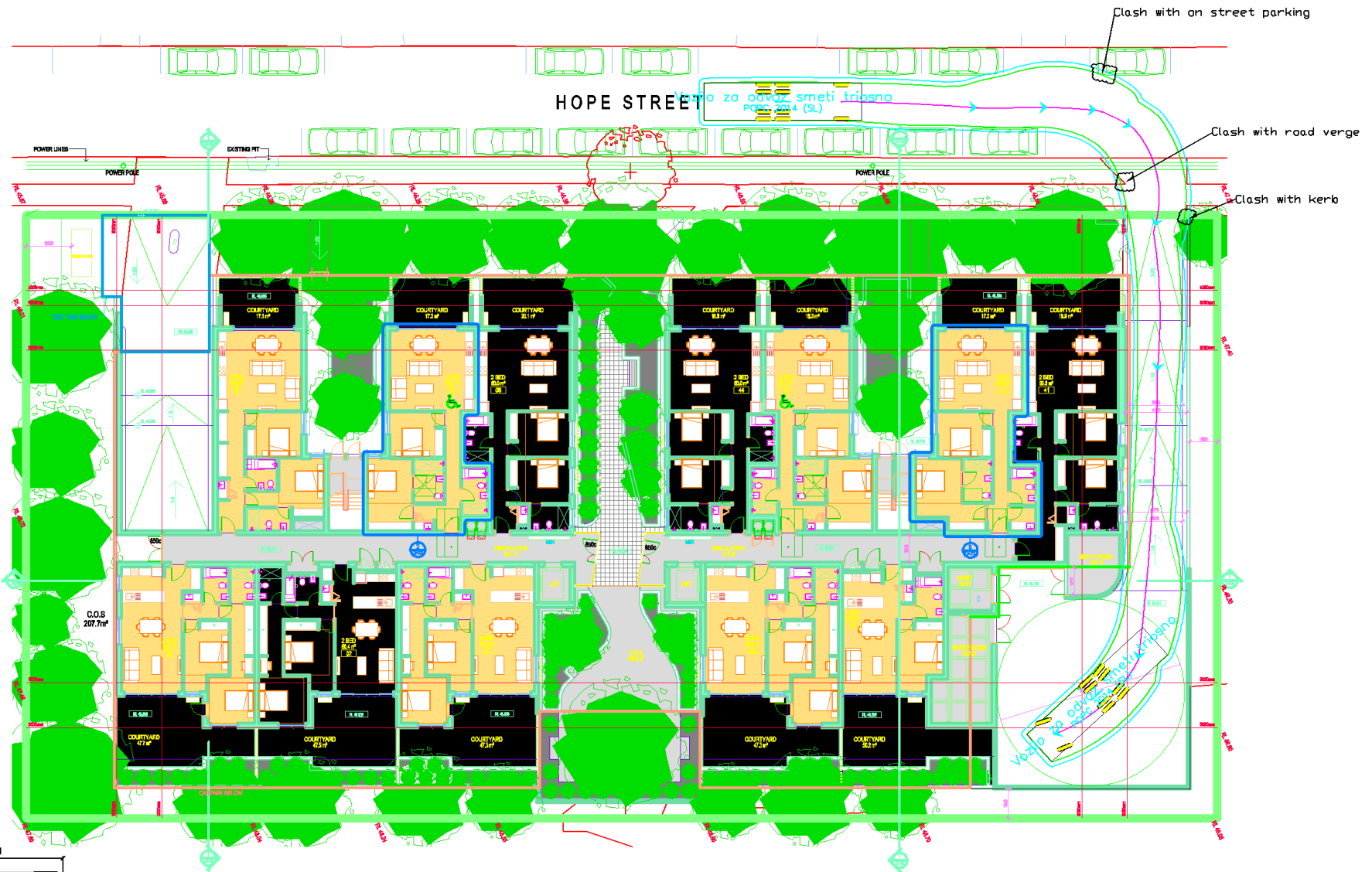
B85
 Width : 1870 mm
 Track : 1770 mm
 Lock to Lock Time : 6.0
 Steering Angle : 34.1

Lower Basement Car Space 4 Forward Inbound



Lower Basement Car Space 4 Reverse Outbound

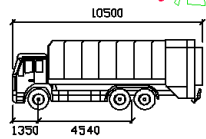
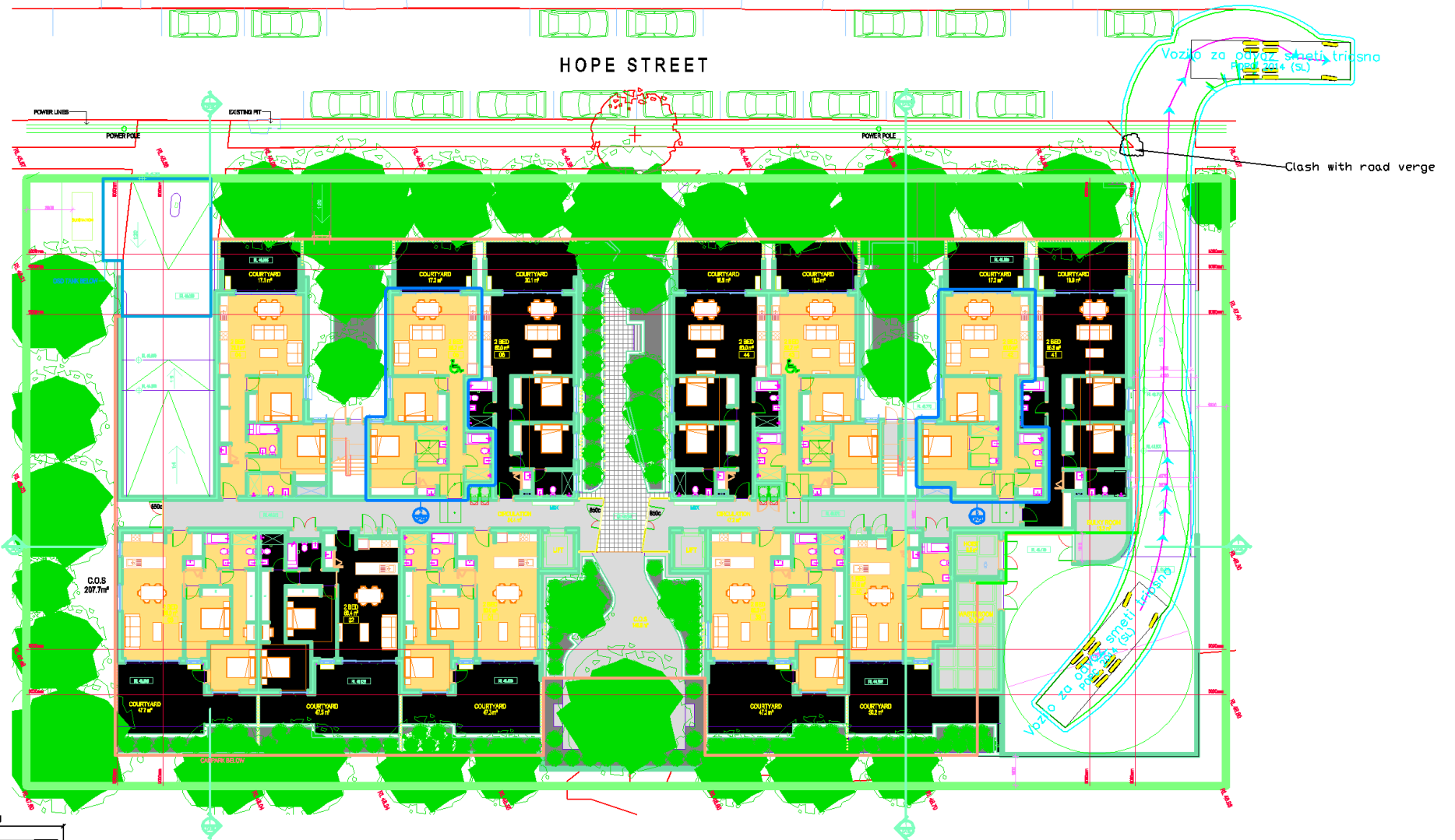




Vozilo za odvoz smeti trisno

mm	
Width	2500
Track	2300
Lack to Lack Time	6.0
Steering Angle	42.0

10.5 metres Waste Truck Inbound Movements



Vozilo za odvoz smeti trisna

mm	
Width	2500
Track	2500
Lack to Lack Time	6.0
Steering Angle	42.0

10.5 metres Waste Truck Outbound Movements