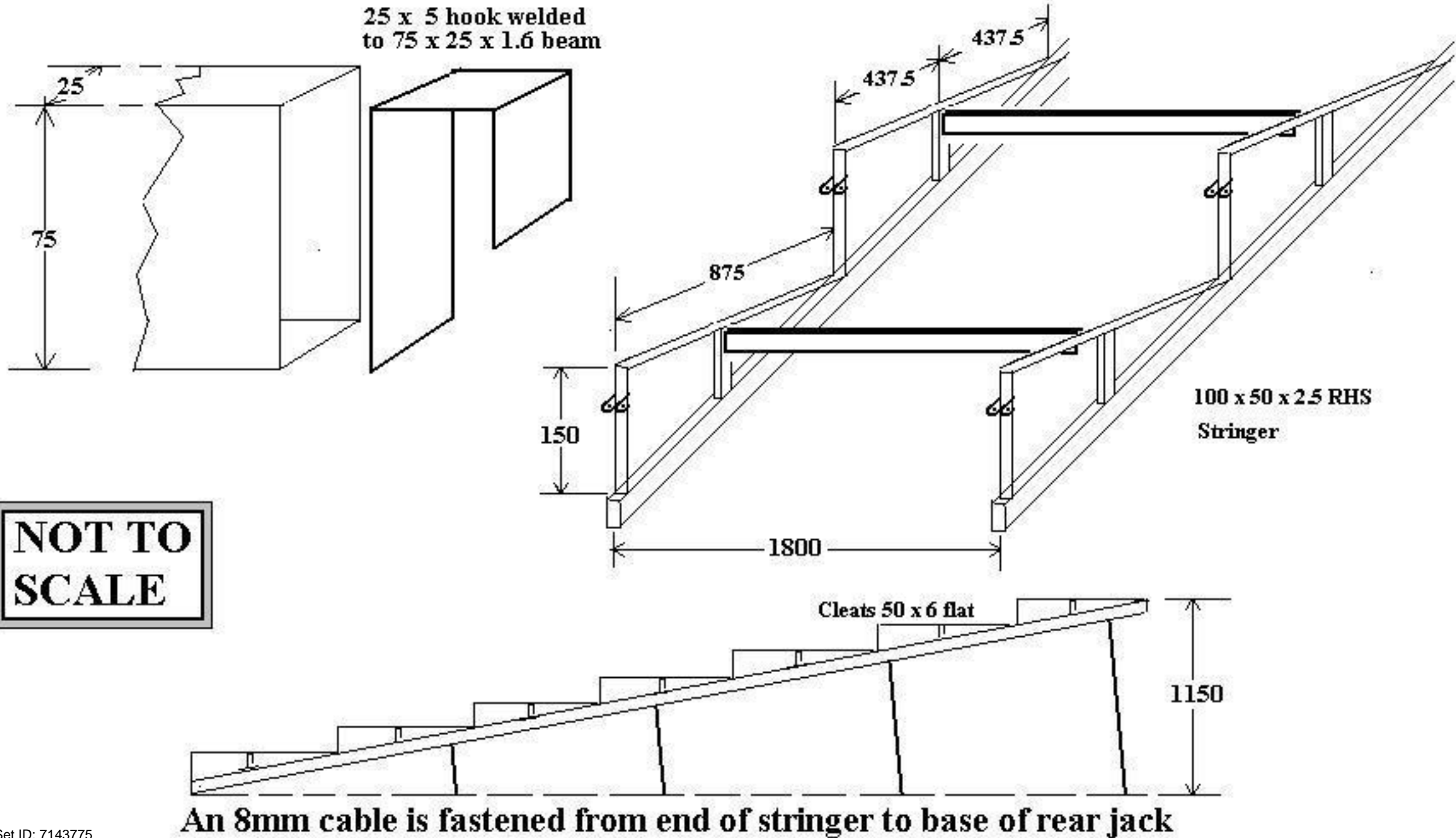
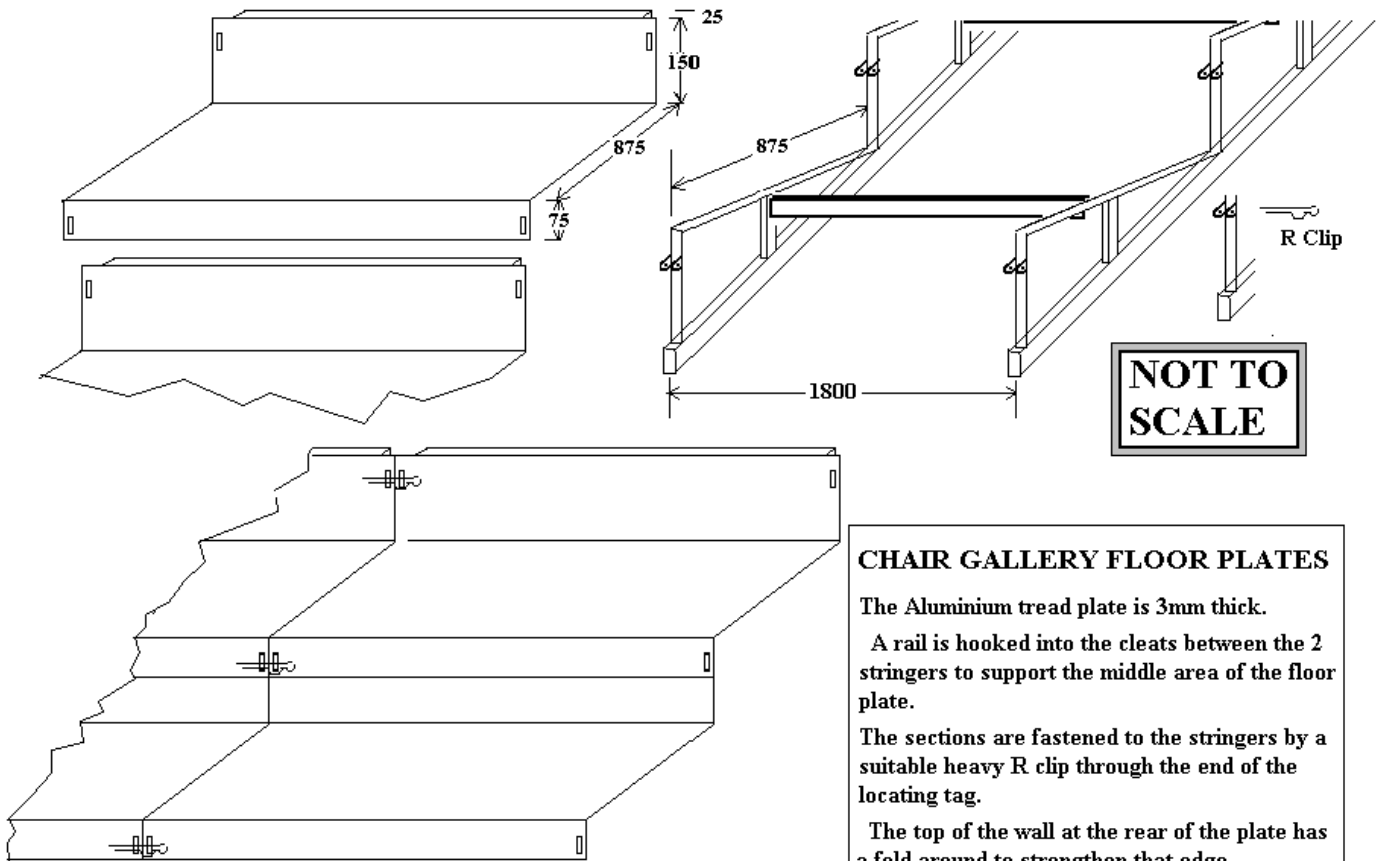


# CHAIR GALLERY SEATING WITH ALUMINIUM FLOOR PLATES





### CHAIR GALLERY FLOOR PLATES

The Aluminium tread plate is 3mm thick.

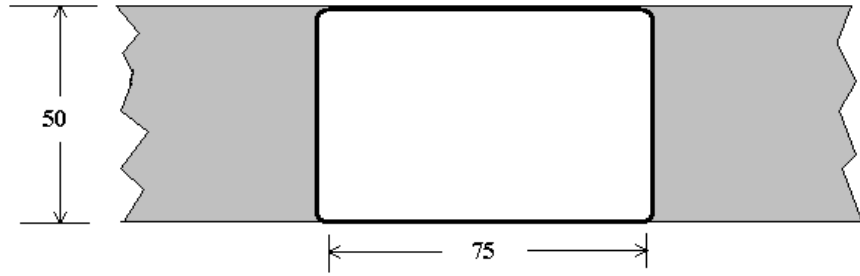
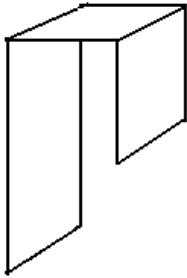
A rail is hooked into the cleats between the 2 stringers to support the middle area of the floor plate.

The sections are fastened to the stringers by a suitable heavy R clip through the end of the locating tag.

The top of the wall at the rear of the plate has a fold around to strengthen that edge.

# CHAIR GALLERY SEATING WITH ALUMINIUM FLOOR PLATES

25 x 5 hook welded  
to 75 x 25 x 1.6 beam



The cleat is made from 50 x 6 flat  
and has a cut away on each side with  
a post connecting it to the stringer  
and the cross rail hook is inserted  
into it.

**NOT TO  
SCALE**

