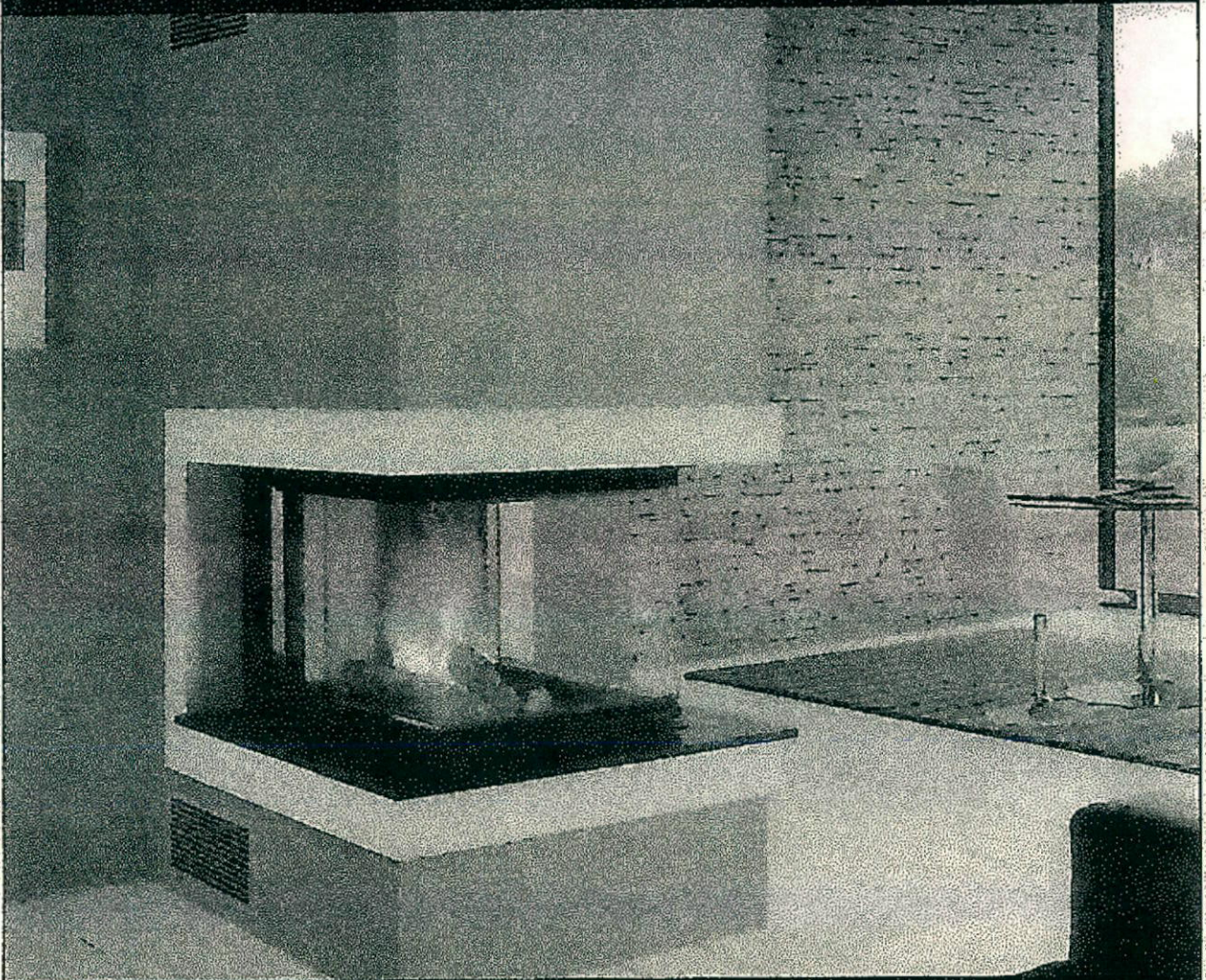
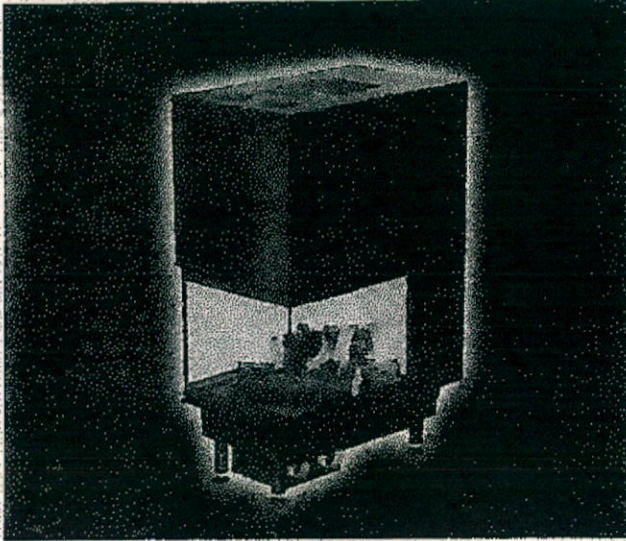


D1000 EPI FIRE BOX



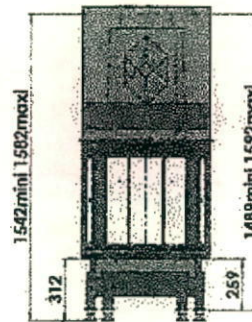
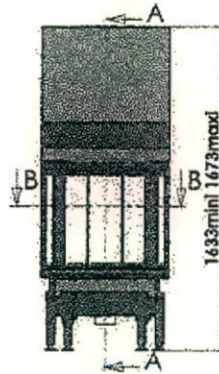
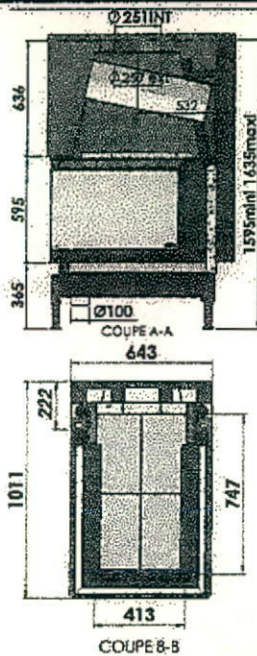
Chazelles

D1000 EPI FIRE BOX



Double skin steel structure 1.5mm thickness
 Weight : 370 kgs
 Flue size : ϕ 250 mm
 Est. Heat Output power : 30 Kwh
 Average smoke temperature : 232°C
 Room size : 100-150 m²
 * Energy efficiency rating : 70.5%
 Ceramic glass 820°C heat resistant
 AS/NZS 4013 Tested

Door finishes : Black trims
 Brick finishes : black or natural
 De ashing with ash extractor supplied
 Lateral opening door both sides
 Vertical opening door 3 sides at the same time
 10 Years warranty
 * Ratios according to European standard tests : EN 13229/2001



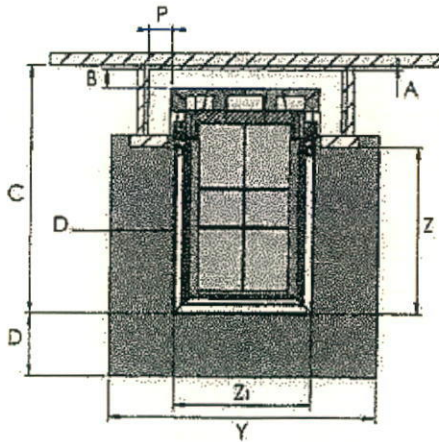
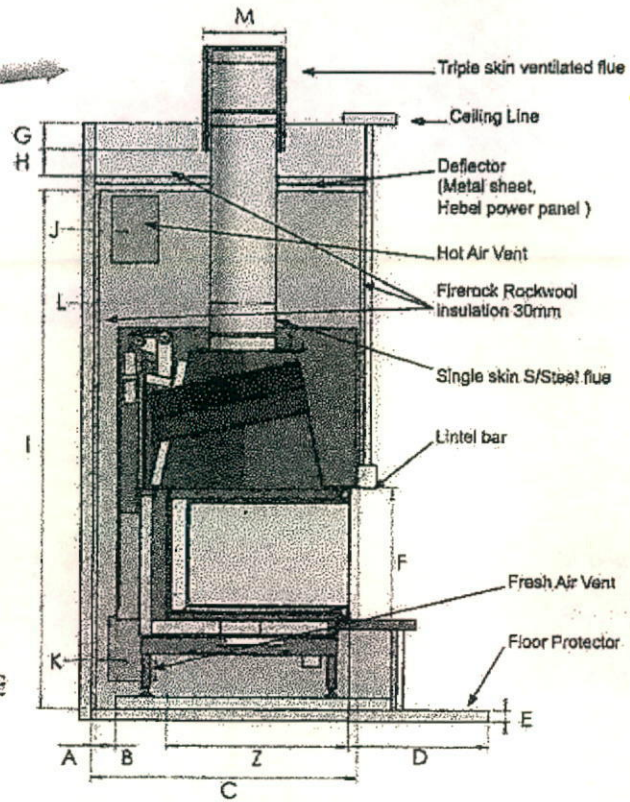
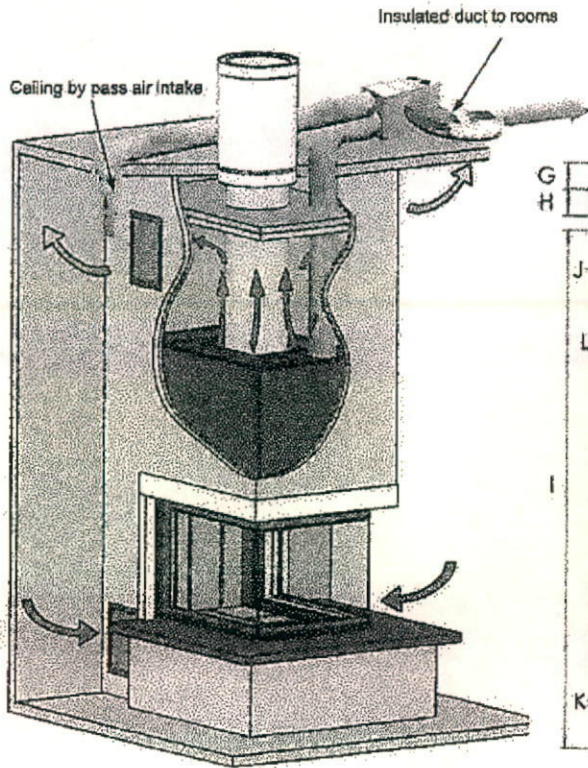
This stunning triple sided unit can be placed in the centre of a room or positioned to one side to create a fabulous room divider. No matter where you are in the room the D1000 EPI offers magnificent view of the fire. The 3 large retractable doors sliding up out of view at the same time is unique and unequalled system proposed by Chazelles in Australia. The D1000EPI can be encompassed in any surround design you desire, its clean and uninterrupted line is enhanced by the use of a clever removable handle, an optional ducted hot air system allows you to infuse warmth into every corner of every room and a beautifully conceived ash extractor makes cleaning a matter of consummate ease. With the D1000EPI you need only imagine possibilities.

Head Office and Showroom

12/6 Percival Highway, ST. PETERS, VIC 3107
 T: 03 9510 2250
 Email: enquiries@chazelles.com.au
WWW.CHAZELLES.COM.AU

Chazelles

**TYPICAL IN-BUILT MASONRY
INSTALLATION**



	D1000 EPI	D1000VAD	D1000VAG
A	30	30	30
B*	50	50	50
C*	1091	1003	1003
D*	500	500	500
E*	75	75	75
F*	595	590	590
G*	150	150	150
H*	150	150	150
I*	1800	1800	1800
J*	2x350cm ²	2x350cm ²	2x350cm ²
K*	2x350cm ²	2x350cm ²	2x350cm ²
L	250	250	250
M	350	350	350
P*	20	20	20
Y*	1643	1166	1166
Z*	990	900	900
Z1*	643	666	666

* Minimum sizes

THE APPLIANCE AND FLUE-SYSTEM MUST BE INSTALLED IN ACCORDANCE WITH THE REQUIREMENTS OF AS/NZ 2918-2001 AND THE APPROPRIATE REQUIREMENTS OF THE RELEVANT BUILDING CODE OF AUSTRALIA. IN ALL CASES AS/NZS 2918 SHOULD BE REFERRED TO FOR CONFIRMATION OF ANY INSTALLATION REQUIREMENTS