



WALLACIA COUNTRY CLUB

Wallacia, New South Wales

Project:

WALLACIA COUNTRY CLUB GOLF COURSE DESIGN DRAWINGS

Prepared by:

HARRISON GOLF PTY LTD

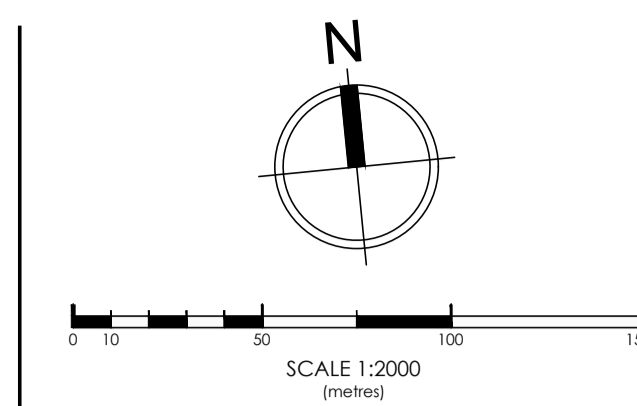
Prepared for:

CATHOLIC CEMETERIES BOARD

ISSUE FOR APPROVAL
REVISION D - 3 DECEMBER 2019

DRAWING INDEX

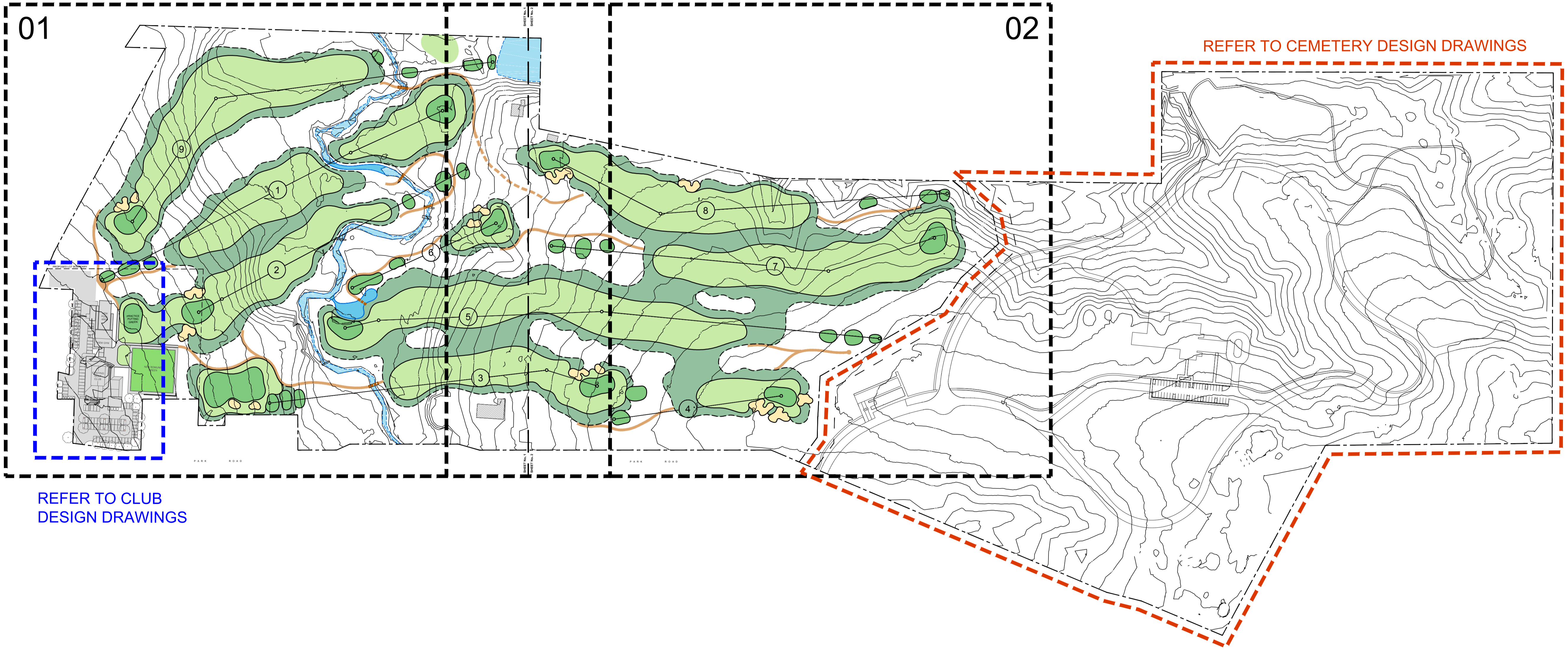
DRAWING NO.	DRAWING TITLE	REVISION	DATE
W917-DA-00	COVERSHEET	D	03.12.2019
W917-DA-01	SITE PLAN	D	03.12.2019
W917-DA-02	GOLF COURSE LAYOUT PLAN	D	03.12.2019
W917-DA-03	GOLF COURSE LAYOUT COMPARISON PLAN	D	03.12.2019
W917-DA-04	TREE RETENTION / REMOVAL PLAN (1)	D	03.12.2019
W917-DA-05	TREE RETENTION / REMOVAL PLAN (2)	D	03.12.2019
W917-DA-06	EARTHWORKS PLAN (1)	D	03.12.2019
W917-DA-07	EARTHWORKS PLAN (2)	D	03.12.2019
W917-DA-08	CUT & FILL ANALYSIS PLAN (1)	D	03.12.2019
W917-DA-09	CUT & FILL ANALYSIS PLAN (2)	D	03.12.2019
W917-DA-10	GRASSING & LANDSCAPE PLAN (1)	D	03.12.2019
W917-DA-11	GRASSING & LANDSCAPE PLAN (2)	D	03.12.2019
W917-DA-12	GRASSING & LANDSCAPE PLAN (3)	D	03.12.2019



LEGEND

- PROPERTY BOUNDARY
- HOLE CENTRELINE
- 36.0--- EXISTING CONTOUR
- 36.0--- DESIGN CONTOUR - METRE
- 36.5--- DESIGN CONTOUR - HALF
- - - - - EXISTING FEATURE
- PROPOSED GOLF FEATURE
- - - - - EXTENT OF BULK EARTHWORKS
- DRAINAGE LINE (100mm PVC)
- DRAINAGE LINE (150mm PVC)
- DRAINAGE LINE (100mm AG.)
- STORMWATER PIT
- CART PATH (EXISTING)
- DECOMPOSED GRANITE CART PATH (NEW)
- TIMBER BOARDWALK BRIDGE
- PROPOSED BUNKER
- PROPOSED GREEN (Agrostis spp. 'Bentgrass' - TBC)
- PROPOSED TEE (Cynodon spp. 'Santa Ana')
- PROPOSED FAIRWAY (Cynodon spp. 'Common Couch')
- PROPOSED SHORT ROUGH (Cynodon spp. 'Common Couch')
- CREEK / WETLAND (EXISTING)
- CREEK / WETLAND (PROPOSED)

GOLF COURSE DESIGN DRAWINGS



REFER TO CLUB DESIGN DRAWINGS

REFER TO CEMETERY DESIGN DRAWINGS



CLIENT
CATHOLIC CEMETERIES BOARD
 PROJECT
WALLACIA COUNTRY CLUB

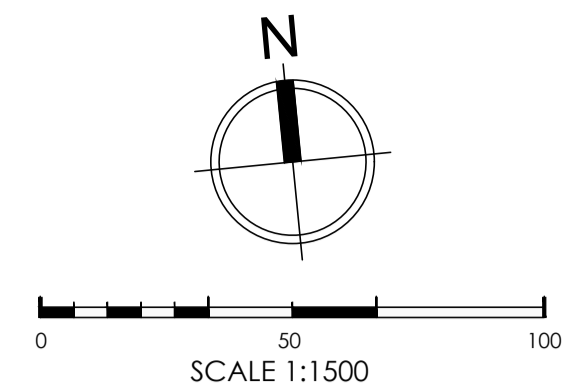
DRAWING NO.	ISSUE	SHEET NO.
W917-DA-01	D	1 / 12
SCALE	DATE	
1:2000 (A1)	03.12.2019	

SITE PLAN

REV	DESCRIPTION	DATE
A	ISSUE FOR DISCUSSION	22.09.19
B	ISSUE FOR REVIEW	31.10.19
C	ISSUE FOR REVIEW	11.11.19
D	ISSUE FOR APPROVAL	03.12.19

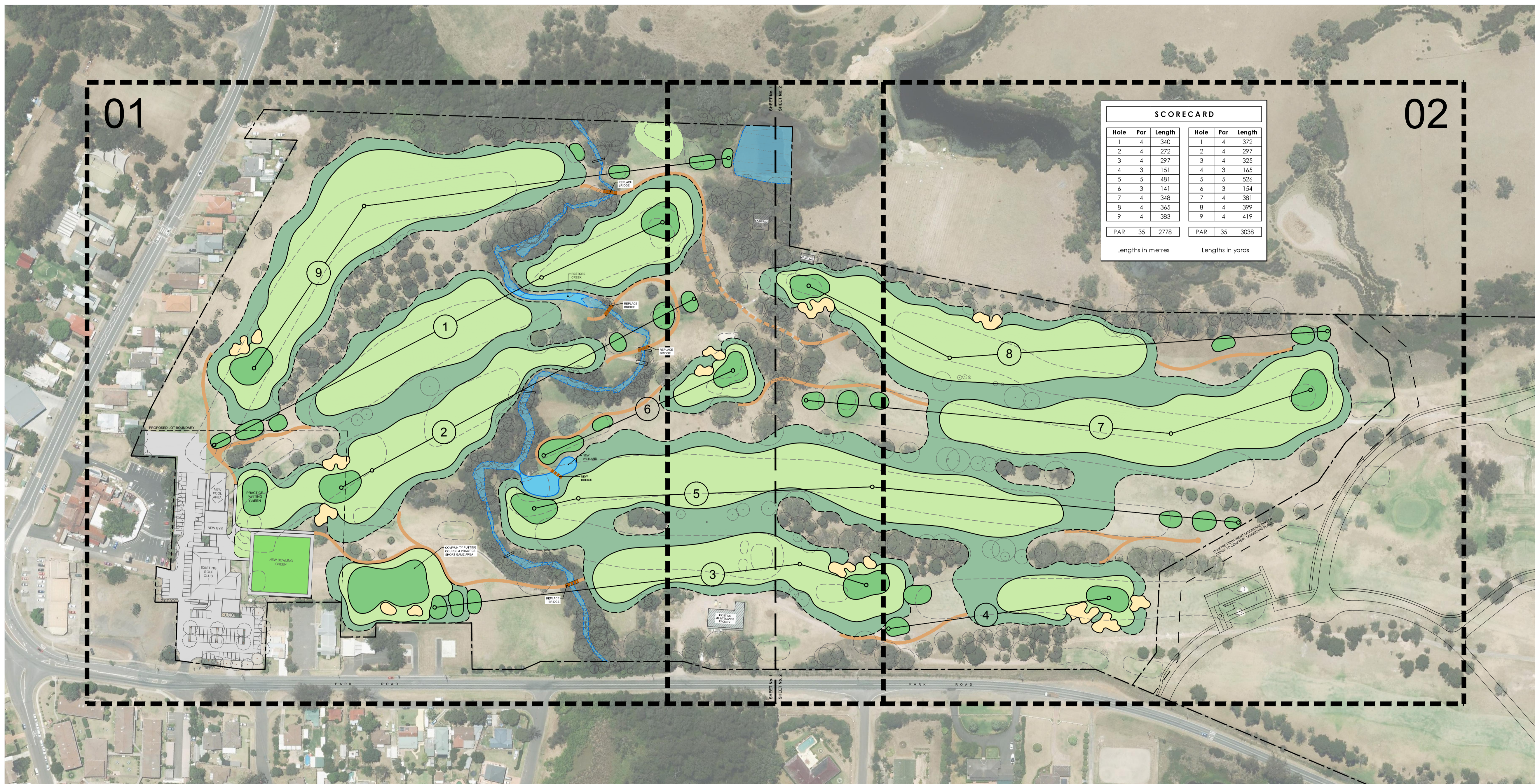


P: +61(2)9954 1041 M: +61(4)19 626 858
 E: bob@harrisingolf.com.au
 Suite 1002, 275 Alfred St, North Sydney
 NSW 2060 AUSTRALIA
 www.harrisingolf.com.au



LEGEND

- PROPERTY BOUNDARY
- HOLE CENTRELINE
- EXISTING CONTOUR
- DESIGN CONTOUR - METRE
- DESIGN CONTOUR - HALF
- EXISTING FEATURE
- PROPOSED GOLF FEATURE
- EXTENT OF BULK EARTHWORKS
- DRAINAGE LINE (100mm PVC)
- DRAINAGE LINE (150mm PVC)
- DRAINAGE LINE (100mm AG.)
- STORMWATER PIT
- CART PATH (EXISTING)
- DECOMPOSED GRANITE CART PATH (NEW)
- TIMBER BOARDWALK BRIDGE
- PROPOSED BUNKER
- PROPOSED GREEN (Agrostis spp. 'Bentgrass' - TBC)
- PROPOSED TEE (Cynodon spp. 'Santa Ana')
- PROPOSED FAIRWAY (Cynodon spp. 'Common Couch')
- PROPOSED SHORT ROUGH (Cynodon spp. 'Common Couch')
- CREEK / WETLAND (EXISTING)
- CREEK / WETLAND (PROPOSED)



SCORECARD					
Hole	Par	Length	Hole	Par	Length
1	4	340	1	4	372
2	4	272	2	4	297
3	4	297	3	4	325
4	3	151	4	3	165
5	5	481	5	5	526
6	3	141	6	3	154
7	4	348	7	4	381
8	4	365	8	4	399
9	4	383	9	4	419
PAR	35	2778	PAR	35	3038

Lengths in metres Lengths in yards



CLIENT
CATHOLIC CEMETERIES BOARD
 PROJECT
WALLACIA COUNTRY CLUB

DRAWING NO. ISSUE SHEET NO.
 W917-DA-02 D 2 / 12

SCALE DATE
 1:1500 (A1) 03.12.2019

GOLF COURSE GENERAL LAYOUT PLAN

REV	DESCRIPTION	DATE
A	ISSUE FOR DISCUSSION	22.09.19
B	ISSUE FOR REVIEW	31.10.19
C	ISSUE FOR REVIEW	11.11.19
D	ISSUE FOR APPROVAL	03.12.19



P: +61(2)9954 1041 M: +61(4)19 626 858
 E: bob@harrisingolf.com.au
 Suite 1002, 275 Alfred St, North Sydney
 NSW 2060 AUSTRALIA
 www.harrisingolf.com.au

SUMMARY OF APPROACH TO REVISED GOLF COURSE ROUTING

IN PLANNING THE 9 HOLE COURSE WE TRIED TO USE THE CORRIDORS OF THE EXISTING GOLF HOLES AS MUCH AS POSSIBLE. THIS WAS DONE IN ORDER TO CREATE THE LEAST DISTURBANCE TO THE EXISTING LANDSCAPE, AND ALSO BECAUSE MOST OF THESE CORRIDORS OFFERED GOOD OPPORTUNITY FOR FIRST-CLASS GOLF HOLES – IN SOME CASES WITH ADJUSTMENTS.

THE ADJUSTMENTS WERE MADE TO IMPROVE THE GOLFING ASPECTS OF SOME OF THE HOLES, BUT THEY WERE ALSO MADE TO IMPROVE THE SAFE INTERACTION BETWEEN HOLES FOR GOLFERS. ONE PRIMARY EXAMPLE OF THIS IS THE INTERACTION BETWEEN THE PROPOSED 5TH AND 6TH HOLES, WHERE THE 5TH GREEN HAS BEEN MOVED TO THE LEFT AND A POND PROPOSED ON THE RIGHT OF THE GREEN, BETWEEN IT AND THE 6TH TEE. THIS WILL IMPROVE THE SAFETY OF THE INTERACTION BETWEEN THE GREEN AND THE TEE.

WHILE THE AREA OF PROPOSED EARTHWORKS INVOLVING THE 5TH GREEN AND THE 6TH TEE APPEARS QUITE SUBSTANTIAL, THE PROPOSED WORK IS LOW LEVEL – AND INCLUDES THE POND – PARTLY TO ENSURE THAT THE FLOOD STORAGE AND FLOOD PASSAGE IN THE RIPARIAN ZONE ARE NOT ADVERSELY AFFECTED.

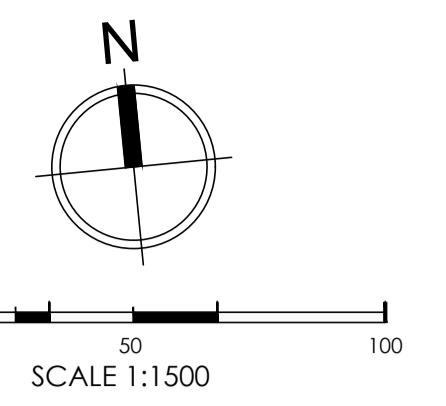
THE MOST NOTABLE EXCEPTION TO MAINTAINING THE EXISTING CORRIDORS IN THEIR EXACT LOCATION IS THE PROPOSED 3RD HOLE, WHICH HAS BEEN MOVED TO THE EAST CLOSER TO THE ROAD PARTLY TO IMPROVE THE SAFE INTERACTION WITH THE 2ND GREEN AND TO AVOID HITTING OVER THE RELOCATED 5TH GREEN. IT WAS ALSO PARTLY TO ALLOW A SENSIBLE GOLF HOLE WITH SUFFICIENT DISTANCE FROM THE PROPOSED 5TH HOLE.

THIS NEW LOCATION, HOWEVER, WILL MEAN CLEARING A SMALL WIDTH OF TREES ON THE EXISTING CREEK LINE TO ENABLE THE TEE SHOT TO BE PLAYED. ON THE OTHER HAND, WE HAVE ALLOWED TO PLANT SUBSTANTIALLY (BOTH TREES, SHRUBS, GRASSES, AND SEDGES WITHIN THE CREEK ITSELF) WHEREVER FEASIBLE IN THE 40 METRE RIPARIAN ZONE WHILE MAINTAINING A PLAYABLE GOLF COURSE. THOSE RIPARIAN PLANTINGS ARE INDICATED ON THE LANDSCAPE DRAWINGS, AS WELL AS THE PROPOSED REVEGETATION AND TREE PLANTINGS ELSEWHERE ON THE GOLF COURSE.

WE HAVE TRIED TO MINIMISE THE DISTURBANCE TO THE EXISTING LANDSCAPE ELSEWHERE, AND TO MINIMISE THE NUMBER OF LARGE TREES TO BE REMOVED. MANY OF THE TREES PROPOSED TO BE REMOVED ARE EXOTIC – PINE TREES IN PARTICULAR. WHERE EARTHWORKS ARE INDICATED ANYWHERE NEAR THE TREES TO BE RETAINED, WE WILL MAKE SURE DURING THE CONSTRUCTION PROCESS THAT THESE WORKS DO NOT AFFECT THE SENSITIVE AREAS REQUIRED TO MAINTAIN THE TREES. MOST OF THE EARTHWORKS PROPOSED ARE COSMETIC IN NATURE, AND NONE OF THEM COULD BE REASONABLY DESCRIBED AS 'BULK'. THE AIM IS TO PRODUCE NATURAL, ROLLING SHAPE AND TO MAKE IT FEEL LIKE IT FITS WITH THE EXISTING SHAPE OF THE GROUND. WHERE POSSIBLE WE HAVE TRIED TO BALANCE CUT AND FILL OPERATIONS OVER LOCALISED AREAS TO AVOID HAVING TO TRANSPORT MATERIAL OVER LARGE DISTANCES WITHIN THE SITE.

OUR DRAWINGS INDICATE FAIRWAY BOUNDARY LINES AND BOUNDARY LINES FOR 'SHORT ROUGH'. THESE MORE OR LESS OCCUPY THE AREA CURRENTLY GRASSED ON THE EXISTING COURSE, AND IT IS PROPOSED TO EFFECTIVELY IRRIGATE THE FAIRWAY AREAS SHOWN AND FOR THE SHORT ROUGHS TO RECEIVE OVERTHROW IRRIGATION. THESE LINES WOULD EVENTUALLY BE WORKED OUT IN MORE DETAIL ONCE SHAPING HAD BEEN DONE ON THE GROUND.

WE ARE VERY CONFIDENT THAT THE RESULT OF THIS PLANNING PROCESS WOULD YIELD A VERY GOOD 9 HOLE GOLF COURSE WITH REASONABLY MINIMAL IMPACT ON THE EXISTING LANDSCAPE, AND WITH EFFORTS TO IMPROVE THE LANDSCAPE, PARTICULARLY IN THE RIPARIAN ZONE. HAVING A VERY GOOD 9 HOLE GOLF COURSE IS IMPORTANT IN ORDER TO ENSURE THAT THE 'REDUCED' COURSE IS BOTH WORTHWHILE AND INTERESTING.



LEGEND

- PROPERTY BOUNDARY
- HOLE CENTRELINE
- 36.0--- EXISTING CONTOUR
- 36.0--- DESIGN CONTOUR - METRE
- 36.5--- DESIGN CONTOUR - HALF
- - - EXISTING FEATURE
- PROPOSED GOLF FEATURE
- EXTENT OF BULK EARTHWORKS
- DRAINAGE LINE (100mm PVC)
- DRAINAGE LINE (150mm PVC)
- DRAINAGE LINE (100mm AG.)
- STORMWATER PIT
- CART PATH (EXISTING)
- DECOMPOSED GRANITE CART PATH (NEW)
- TIMBER BOARDWALK BRIDGE
- PROPOSED BUNKER
- PROPOSED GREEN (Agrostis spp. 'Bentgrass' - TBC)
- PROPOSED TEE (Cynodon spp. 'Santa Ana')
- PROPOSED FAIRWAY (Cynodon spp. 'Common Couch')
- PROPOSED SHORT ROUGH (Cynodon spp. 'Common Couch')
- CREEK / WETLAND (EXISTING)
- CREEK / WETLAND (PROPOSED)



CLIENT
CATHOLIC CEMETERIES BOARD
PROJECT
WALLACIA COUNTRY CLUB

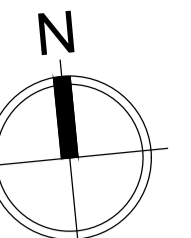
DRAWING NO. W917-DA-03 ISSUE D SHEET NO. 3 / 12
SCALE 1:1500 (A1) DATE 03.12.2019

GOLF COURSE LAYOUT COMPARISON PLAN

REV	DESCRIPTION	DATE
A	ISSUE FOR DISCUSSION	22.09.19
B	ISSUE FOR REVIEW	31.10.19
C	ISSUE FOR REVIEW	11.11.19
D	ISSUE FOR APPROVAL	03.12.19



P: +61(2)9954 1041 M: +61(4)19 626 858
E: bob@harrisingolf.com.au
Suite 1002, 275 Alfred St, North Sydney
NSW 2060 AUSTRALIA
www.harrisingolf.com.au



SCALE 1:750

LEGEND

- PROPERTY BOUNDARY
- HOLE CENTRELINE
- EXISTING CONTOUR
- DESIGN CONTOUR - METRE
- DESIGN CONTOUR - HALF
- EXISTING FEATURE
- PROPOSED GOLF FEATURE
- EXTENT OF BULK EARTHWORKS
- DRAINAGE LINE (100mm PVC)
- DRAINAGE LINE (150mm PVC)
- DRAINAGE LINE (100mm AG.)
- STORMWATER PIT
- CART PATH (EXISTING)
- DECOMPOSED GRANITE CART PATH (NEW)
- TIMBER BOARDWALK BRIDGE
- PROPOSED BUNKER
- PROPOSED GREEN (Agrostis spp. 'Bentgrass' - TBC)
- PROPOSED TEE (Cynodon spp. 'Santa Ana')
- PROPOSED FAIRWAY (Cynodon spp. 'Common Couch')
- PROPOSED SHORT ROUGH (Cynodon spp. 'Common Couch')
- CREEK / WETLAND (EXISTING)
- CREEK / WETLAND (PROPOSED)
- TREE RETAINED & PROTECTED THROUGHOUT ALL WORKS IN ACCORDANCE WITH AS 4970-2009
- PROPOSED TREE REMOVAL (DUE TO DEVELOPMENT WORKS)
- PROPOSED TREE REMOVAL (DUE TO HEALTH, DANGEROUS OR A WEED SPECIES)



CLIENT
CATHOLIC CEMETERIES BOARD
 PROJECT
WALLACIA COUNTRY CLUB

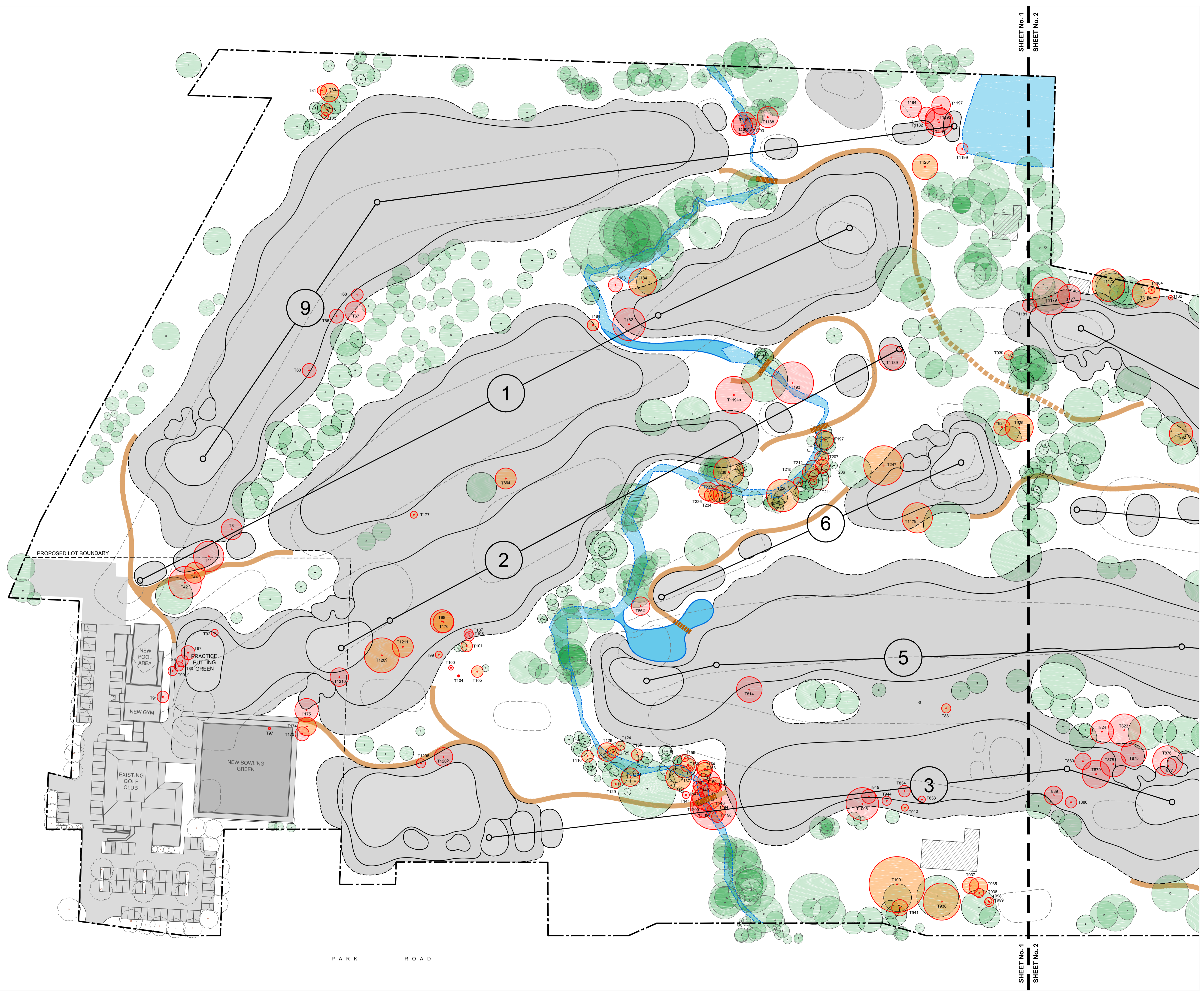
DRAWING NO. W917-DA-04 ISSUE D SHEET NO. 4 / 12
 SCALE 1:750 (A1) DATE 03.12.2019

GOLF COURSE TREE RETENTION / REMOVAL (1)

REV	DESCRIPTION	DATE
A	ISSUE FOR DISCUSSION	22.09.19
B	ISSUE FOR REVIEW	31.10.19
C	ISSUE FOR REVIEW	11.11.19
D	ISSUE FOR APPROVAL	03.12.19



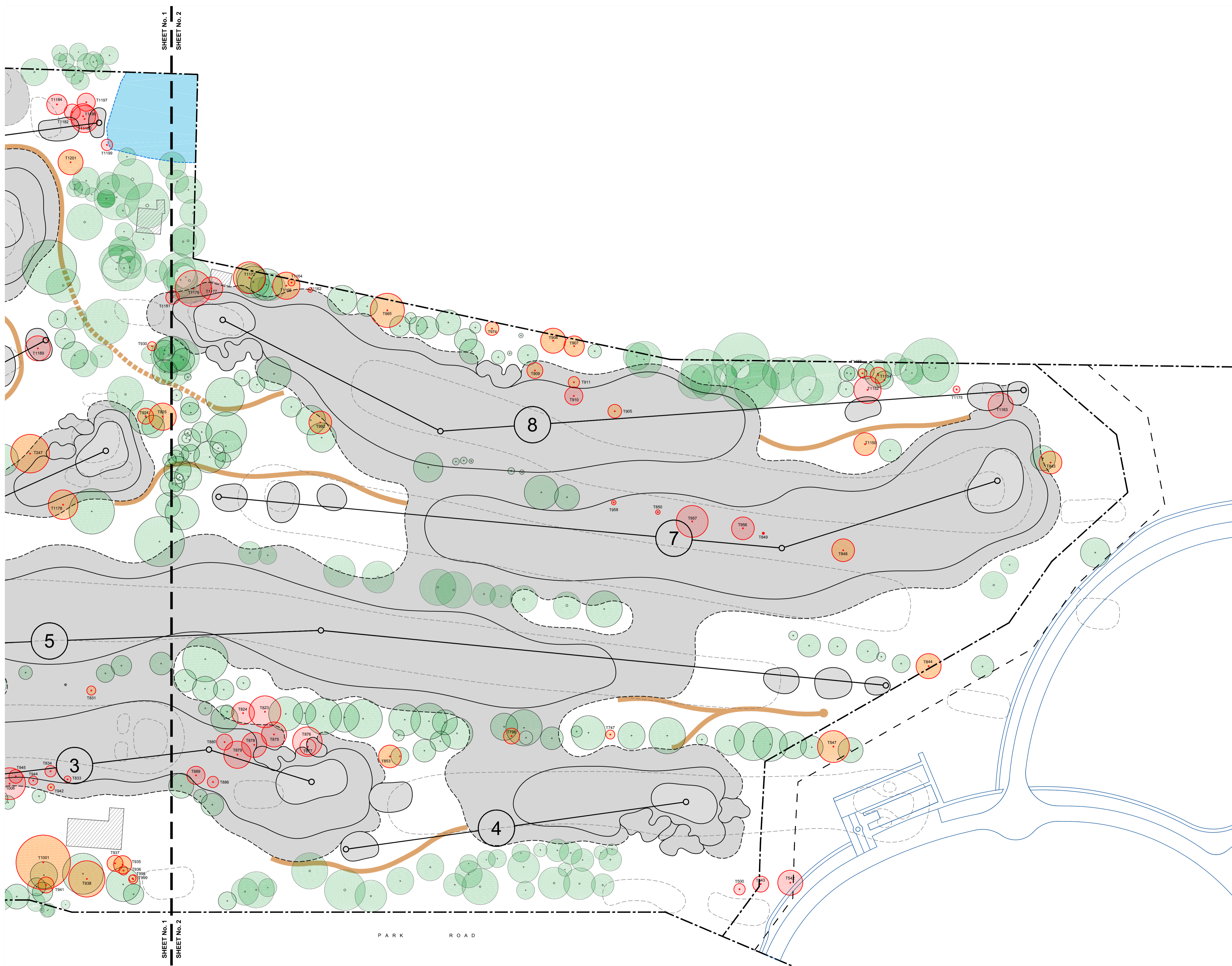
P: +61(2)9954 1041 M: +61(4)19 626 858
 E: bob@harrisingolf.com.au
 Suite 1002, 275 Alfred St. North Sydney
 NSW 2060 AUSTRALIA
 www.harrisingolf.com.au



SHEET No. 1
SHEET No. 2

SHEET No. 1
SHEET No. 2

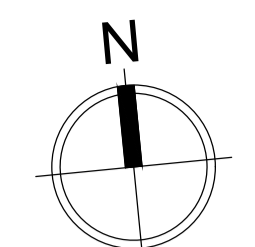
PARK ROAD



SHEET No. 1
SHEET No. 2

SHEET No. 1
SHEET No. 2

PARK ROAD



0 20 40 60
SCALE 1:750

LEGEND

- PROPERTY BOUNDARY
- HOLE CENTRELINE
- EXISTING CONTOUR
- DESIGN CONTOUR - METRE
- DESIGN CONTOUR - HALF
- EXISTING FEATURE
- PROPOSED GOLF FEATURE
- EXTENT OF BULK EARTHWORKS
- DRAINAGE LINE (100mm PVC)
- DRAINAGE LINE (150mm PVC)
- DRAINAGE LINE (100mm AG.)
- STORMWATER PIT
- CART PATH (EXISTING)
- DECOMPOSED GRANITE CART PATH (NEW)
- TIMBER BOARDWALK BRIDGE
- PROPOSED BUNKER
- PROPOSED GREEN (Agrostis spp. 'Benigrass' - TBC)
- PROPOSED TEE (Cynodon spp. 'Santa Ana')
- PROPOSED FAIRWAY (Cynodon spp. 'Common Couch')
- PROPOSED SHORT ROUGH (Cynodon spp. 'Common Couch')
- CREEK / WETLAND (EXISTING)
- CREEK / WETLAND (PROPOSED)
- TREE RETAINED & PROTECTED THROUGHOUT ALL WORKS IN ACCORDANCE WITH AS 4970-2009
- PROPOSED TREE REMOVAL (DUE TO DEVELOPMENT WORKS)
- PROPOSED TREE REMOVAL (DUE TO HEALTH, DANGEROUS OR A WEED SPECIES)



CLIENT
CATHOLIC CEMETERIES BOARD

PROJECT
WALLACIA COUNTRY CLUB

DRAWING NO. W917-DA-05 ISSUE D SHEET NO. 5 / 12

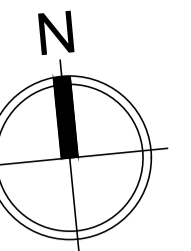
SCALE 1:750 (A1) DATE 03.12.2019

GOLF COURSE TREE RETENTION / REMOVAL (2)

REV	DESCRIPTION	DATE
A	ISSUE FOR DISCUSSION	22.09.19
B	ISSUE FOR REVIEW	31.10.19
C	ISSUE FOR REVIEW	11.11.19
D	ISSUE FOR APPROVAL	03.12.19



P: +61(2)9954 1041 M: +61(4)19 626 858
E: bob@harrisingolf.com.au
Suite 1002, 275 Alfred St. North Sydney
NSW 2060 AUSTRALIA
www.harrisingolf.com.au



0 20 40 60
SCALE 1:750

LEGEND

- PROPERTY BOUNDARY
- HOLE CENTRELINE
- - - EXISTING CONTOUR
- - - DESIGN CONTOUR - METRE
- - - DESIGN CONTOUR - HALF
- - - EXISTING FEATURE
- - - PROPOSED GOLF FEATURE
- - - EXTENT OF BULK EARTHWORKS
- - - DRAINAGE LINE (100mm PVC)
- - - DRAINAGE LINE (150mm PVC)
- - - DRAINAGE LINE (100mm AG.)
- - - STORMWATER PIT
- CART PATH (EXISTING)
- DECOMPOSED GRANITE CART PATH (NEW)
- TIMBER BOARDWALK BRIDGE
- PROPOSED BUNKER
- PROPOSED GREEN (Agrostis spp. 'Bentgrass' - TBC)
- PROPOSED TEE (Cynodon spp. 'Santa Ana')
- PROPOSED FAIRWAY (Cynodon spp. 'Common Couch')
- PROPOSED SHORT ROUGH (Cynodon spp. 'Common Couch')
- CREEK / WETLAND (EXISTING)
- CREEK / WETLAND (PROPOSED)
- TREE RETAINED & PROTECTED THROUGHOUT ALL WORKS IN ACCORDANCE WITH AS 4970-2009



CLIENT
CATHOLIC CEMETERIES BOARD

PROJECT
WALLACIA COUNTRY CLUB

DRAWING NO. W917-DA-06 ISSUE D SHEET NO. 6 / 12

SCALE 1:750 (A1) DATE 03.12.2019

GOLF COURSE EARTHWORKS PLAN (1)

REV	DESCRIPTION	DATE
A	ISSUE FOR DISCUSSION	22.09.19
B	ISSUE FOR REVIEW	31.10.19
C	ISSUE FOR REVIEW	11.11.19
D	ISSUE FOR APPROVAL	03.12.19

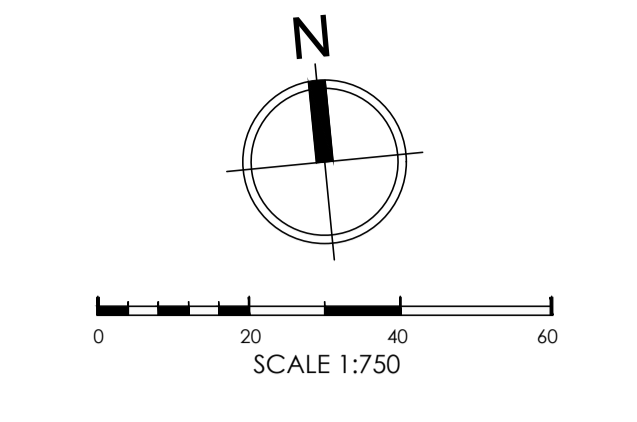
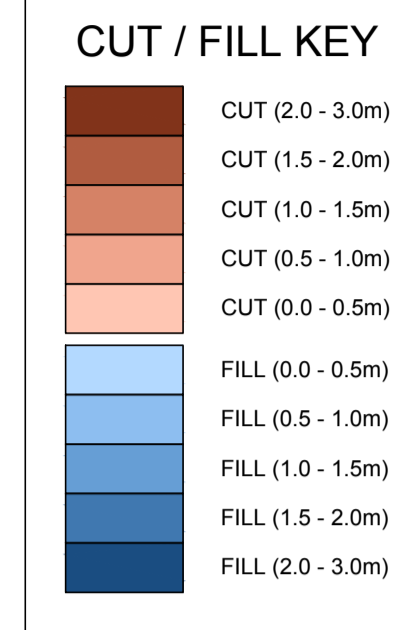
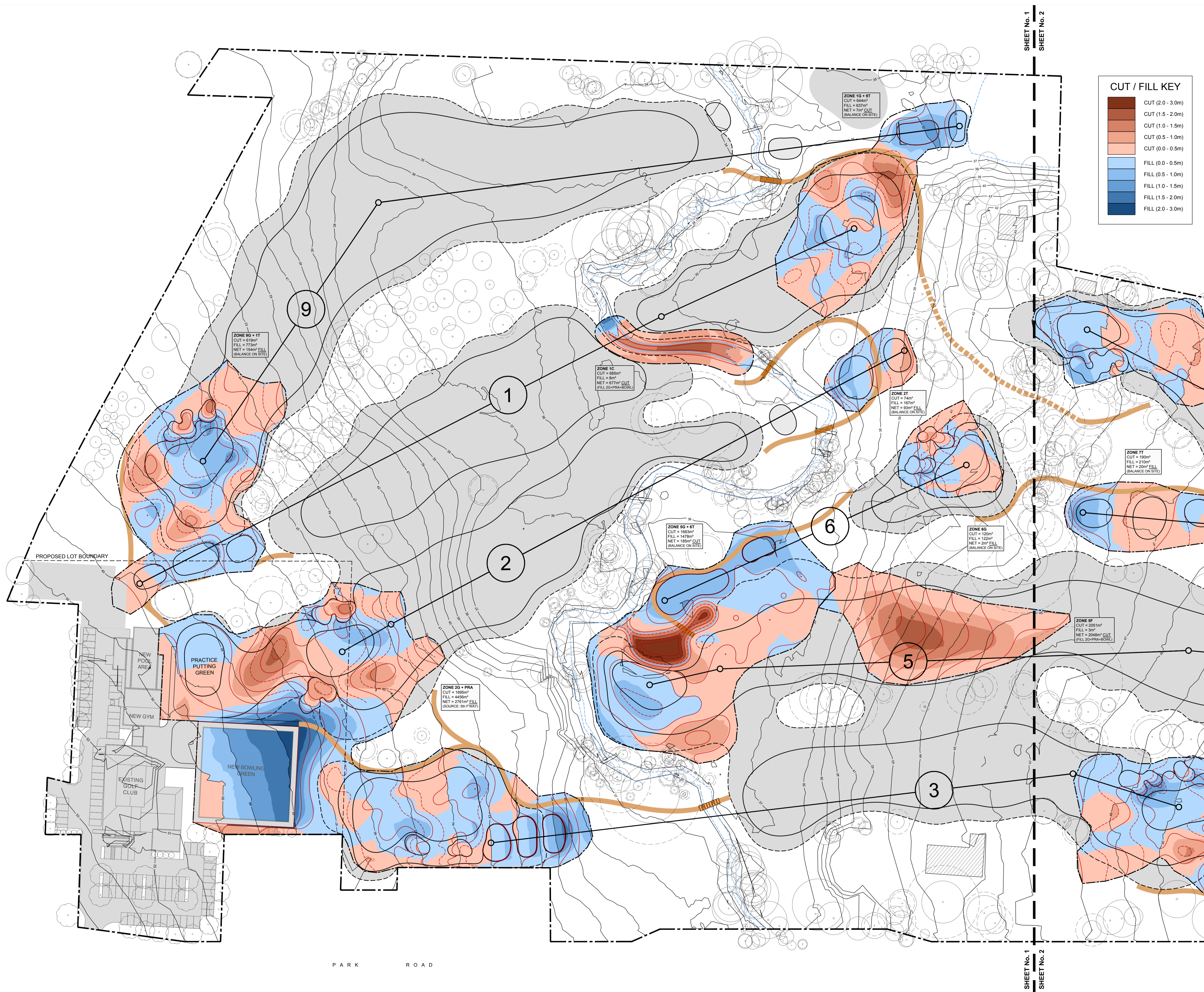


P: +61(2)9954 1041 M: +61(4)19 626 858
 E: bob@harrisingolf.com.au
 Suite 1002, 275 Alfred St. North Sydney
 NSW 2060 AUSTRALIA
 www.harrisingolf.com.au



SHEET No. 1
SHEET No. 2

SHEET No. 1
SHEET No. 2



- LEGEND**
- PROPERTY BOUNDARY
 - HOLE CENTRELINE
 - EXISTING CONTOUR
 - DESIGN CONTOUR - METRE
 - DESIGN CONTOUR - HALF
 - EXISTING FEATURE
 - PROPOSED GOLF FEATURE
 - EXTENT OF BULK EARTHWORKS
 - DRAINAGE LINE (100mm PVC)
 - DRAINAGE LINE (150mm PVC)
 - DRAINAGE LINE (100mm AG.)
 - STORMWATER PIT
 - CART PATH (EXISTING)
 - DECOMPOSED GRANITE CART PATH (NEW)
 - TIMBER BOARDWALK BRIDGE
 - PROPOSED BUNKER
 - PROPOSED GREEN (Agrostis spp. 'Bentgrass' - TBC)
 - PROPOSED TEE (Cynodon spp. 'Santa Ana')
 - PROPOSED FAIRWAY (Cynodon spp. 'Common Couch')
 - PROPOSED SHORT ROUGH (Cynodon spp. 'Common Couch')
 - CREEK / WETLAND (EXISTING)
 - CREEK / WETLAND (PROPOSED)
 - TREE RETAINED & PROTECTED THROUGHOUT ALL WORKS IN ACCORDANCE WITH AS 4970-2009



CLIENT
CATHOLIC CEMETERIES BOARD

PROJECT
WALLACIA COUNTRY CLUB

DRAWING NO.	ISSUE	SHEET NO.
W917-DA-08	D	8 / 12

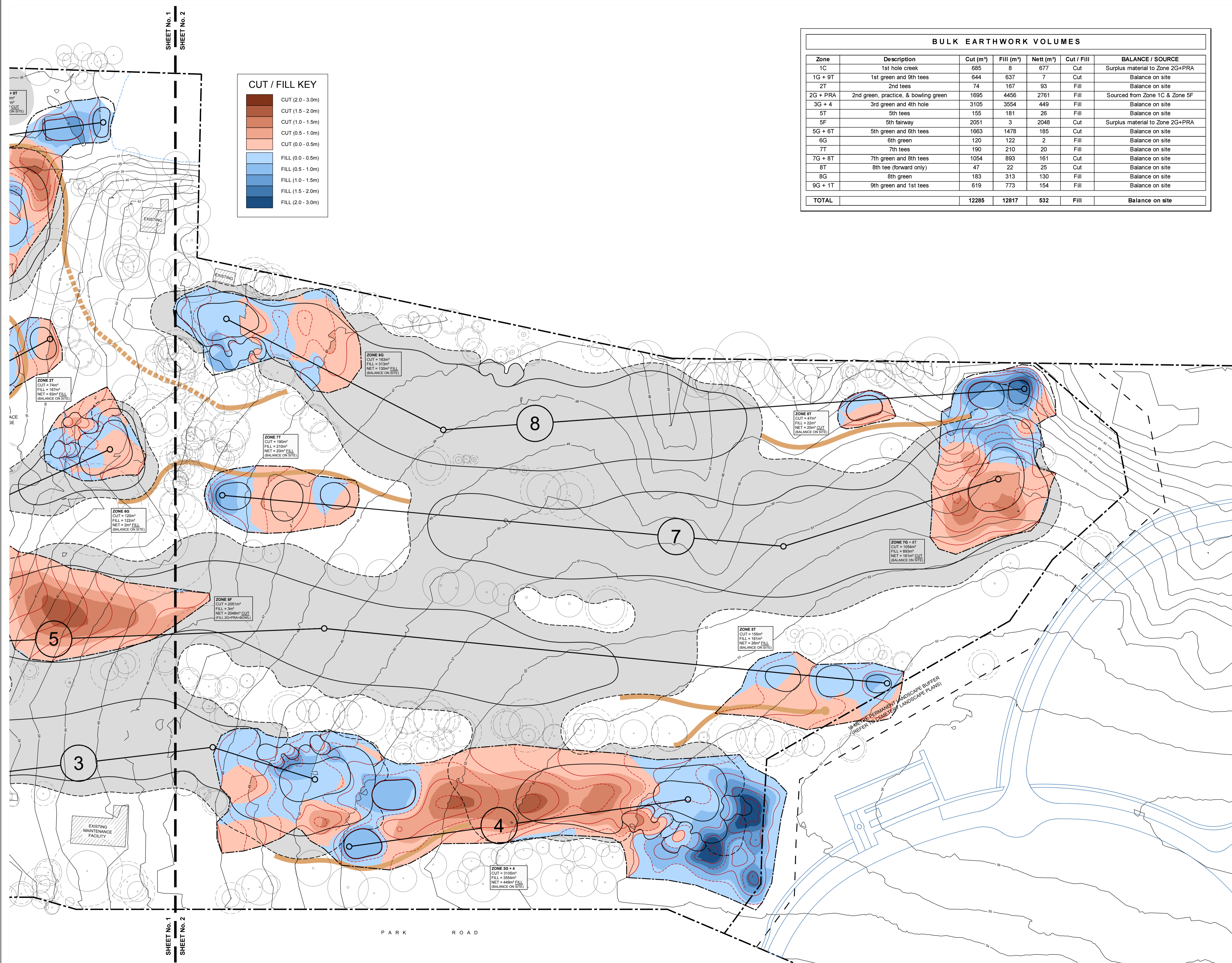
SCALE	DATE
1:750 (A1)	03.12.2019

GOLF COURSE CUT & FILL ANALYSIS (1)

REV	DESCRIPTION	DATE
A	ISSUE FOR DISCUSSION	22.09.19
B	ISSUE FOR REVIEW	31.10.19
C	ISSUE FOR REVIEW	11.11.19
D	ISSUE FOR APPROVAL	03.12.19



P: +61(2)9954 1041 M: +61(4)19 626 858
 E: bob@harrisingolf.com.au
 Suite 1002, 275 Alfred St. North Sydney
 NSW 2060 AUSTRALIA
 www.harrisingolf.com.au

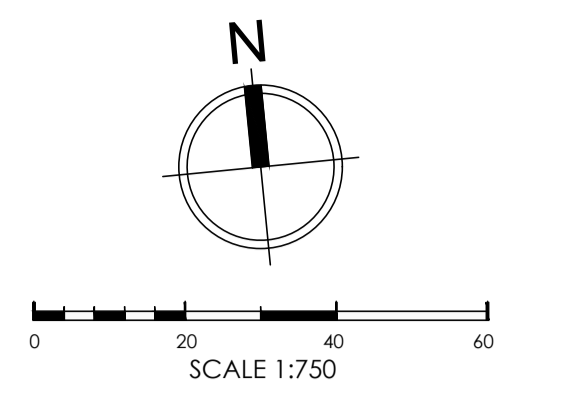


CUT / FILL KEY

[Lightest Orange]	CUT (2.0 - 3.0m)
[Light Orange]	CUT (1.5 - 2.0m)
[Orange]	CUT (1.0 - 1.5m)
[Light Yellow]	CUT (0.5 - 1.0m)
[Yellow]	CUT (0.0 - 0.5m)
[Lightest Blue]	FILL (0.0 - 0.5m)
[Light Blue]	FILL (0.5 - 1.0m)
[Blue]	FILL (1.0 - 1.5m)
[Dark Blue]	FILL (1.5 - 2.0m)
[Darkest Blue]	FILL (2.0 - 3.0m)

BULK EARTHWORK VOLUMES

Zone	Description	Cut (m³)	Fill (m³)	Nett (m³)	Cut / Fill	BALANCE / SOURCE
1C	1st hole creek	685	8	677	Cut	Surplus material to Zone 2G+PRA
1G + 9T	1st green and 9th tees	644	637	7	Cut	Balance on site
2T	2nd tees	74	167	93	Fill	Balance on site
2G + PRA	2nd green, practice, & bowling green	1695	4456	2761	Fill	Sourced from Zone 1C & Zone 5F
3G + 4	3rd green and 4th hole	3105	3554	449	Fill	Balance on site
5T	5th tees	155	181	26	Fill	Balance on site
5F	5th fairway	2051	3	2048	Cut	Surplus material to Zone 2G+PRA
5G + 6T	5th green and 6th tees	1663	1478	185	Cut	Balance on site
6G	6th green	120	122	2	Fill	Balance on site
7T	7th tees	190	210	20	Fill	Balance on site
7G + 8T	7th green and 8th tees	1054	893	161	Cut	Balance on site
8T	8th tee (forward only)	47	22	25	Cut	Balance on site
8G	8th green	183	313	130	Fill	Balance on site
9G + 1T	9th green and 1st tees	619	773	154	Fill	Balance on site
TOTAL		12285	12817	532	Fill	Balance on site



- LEGEND**
- PROPERTY BOUNDARY
 - HOLE CENTRELINE
 - EXISTING CONTOUR
 - DESIGN CONTOUR - METRE
 - DESIGN CONTOUR - HALF
 - EXISTING FEATURE
 - PROPOSED GOLF FEATURE
 - EXTENT OF BULK EARTHWORKS
 - DRAINAGE LINE (100mm PVC)
 - DRAINAGE LINE (150mm PVC)
 - DRAINAGE LINE (100mm AG.)
 - STORMWATER PIT
 - CART PATH (EXISTING)
 - DECOMPOSED GRANITE CART PATH (NEW)
 - TIMBER BOARDWALK BRIDGE
 - PROPOSED BUNKER
 - PROPOSED GREEN (Agrostis spp. 'Bentgrass' - TBC)
 - PROPOSED TEE (Cynodon spp. 'Santa Ana')
 - PROPOSED FAIRWAY (Cynodon spp. 'Common Couch')
 - PROPOSED SHORT ROUGH (Cynodon spp. 'Common Couch')
 - CREEK / WETLAND (EXISTING)
 - CREEK / WETLAND (PROPOSED)
 - TREE RETAINED & PROTECTED THROUGHOUT ALL WORKS IN ACCORDANCE WITH AS 4970-2009



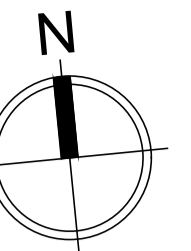
CLIENT
CATHOLIC CEMETERIES BOARD
 PROJECT
WALLACIA COUNTRY CLUB
 DRAWING NO. W917-DA-09 ISSUE D SHEET NO. 9 / 12
 SCALE 1:750 (A1) DATE 03.12.2019

GOLF COURSE CUT & FILL ANALYSIS (2)

REV	DESCRIPTION	DATE
A	ISSUE FOR DISCUSSION	22.09.19
B	ISSUE FOR REVIEW	31.10.19
C	ISSUE FOR REVIEW	11.11.19
D	ISSUE FOR APPROVAL	03.12.19



P: +61(2)9954 1041 M: +61(4)19 626 858
 E: bob@harrisingolf.com.au
 Suite 1002, 275 Alfred St. North Sydney
 NSW 2060 AUSTRALIA
 www.harrisingolf.com.au



0 20 40 60
SCALE 1:750

LEGEND

- PROPERTY BOUNDARY
- HOLE CENTRELINE
- 36.0--- EXISTING CONTOUR
- 36.0--- DESIGN CONTOUR - METRE
- 36.5--- DESIGN CONTOUR - HALF
- - - EXISTING FEATURE
- PROPOSED GOLF FEATURE
- EXTENT OF BULK EARTHWORKS
- 100--- DRAINAGE LINE (100mm PVC)
- 150--- DRAINAGE LINE (150mm PVC)
- 100AG--- DRAINAGE LINE (100mm AG.)
- STORMWATER PIT
- CART PATH (EXISTING)
- DECOMPOSED GRANITE CART PATH (NEW)
- TIMBER BOARDWALK BRIDGE
- PROPOSED BUNKER
- PROPOSED GREEN (Agrostis spp. 'Bentgrass' - TBC)
- PROPOSED TEE (Cynodon spp. 'Santa Ana')
- PROPOSED FAIRWAY (Cynodon spp. 'Common Couch')
- PROPOSED SHORT ROUGH (Cynodon spp. 'Common Couch')
- CREEK / WETLAND (EXISTING) REVEGETATION WITH TRAVERS
- CREEK / WETLAND (PROPOSED) REVEGETATION WITH TRAVERS
- LANDSCAPE REVEGETATION IN CONSULTATION WITH BOTANICA
- R.F.E.F. RIPARIAN REVEGETATION (HIGH) IN CONSULTATION WITH TRAVERS
- RIPARIAN REVEGETATION (LOW) IN CONSULTATION WITH TRAVERS
- MOWN LONG ROUGH (WITH TREES) IN CONSULTATION WITH BOTANICA
- MOWN LONG ROUGH (INCLUDING EXISTING TREES)
- EXISTING TREE RETAINED & PROTECTED THROUGHOUT ALL WORKS IN ACCORDANCE WITH AS 4970-2009



CLIENT
CATHOLIC CEMETERIES BOARD

PROJECT
WALLACIA COUNTRY CLUB

DRAWING NO. W917-DA-10 ISSUE D SHEET NO. 10 / 12

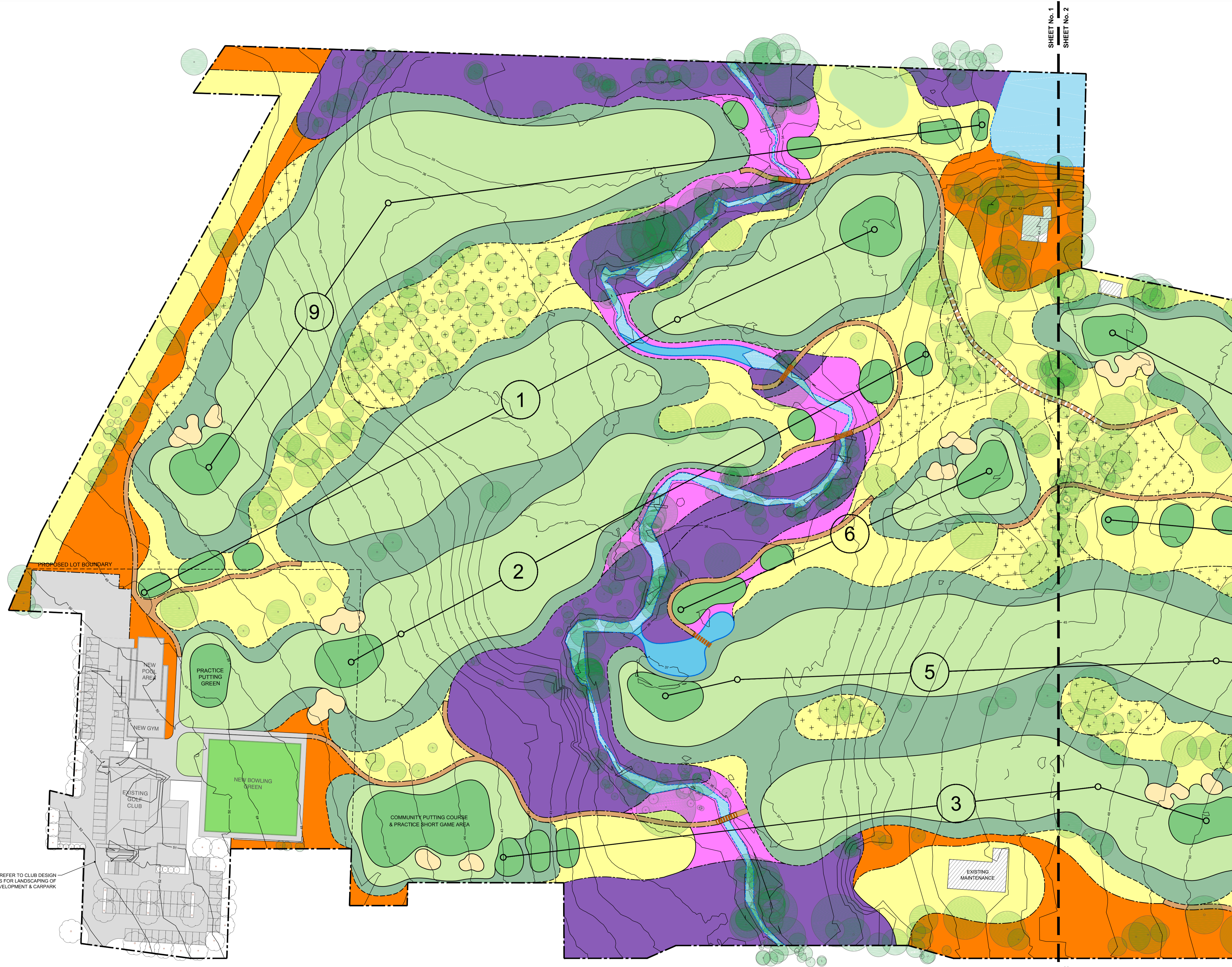
SCALE 1:750 (A1) DATE 03.12.2019

GOLF COURSE GRASSING & LANDSCAPE PLAN (1)

REV	DESCRIPTION	DATE
A	ISSUE FOR DISCUSSION	22.09.19
B	ISSUE FOR REVIEW	31.10.19
C	ISSUE FOR REVIEW	11.11.19
D	ISSUE FOR APPROVAL	03.12.19



P: +61(2)9954 1041 M: +61(4)19 626 858
E: bob@harrisingolf.com.au
Suite 1002, 275 Alfred St, North Sydney
NSW 2060 AUSTRALIA
www.harrisingolf.com.au



REFER TO CLUB DESIGN DRAWINGS FOR LANDSCAPING OF CLUB DEVELOPMENT & CARPARK

PARK ROAD

SHEET No. 1
SHEET No. 2

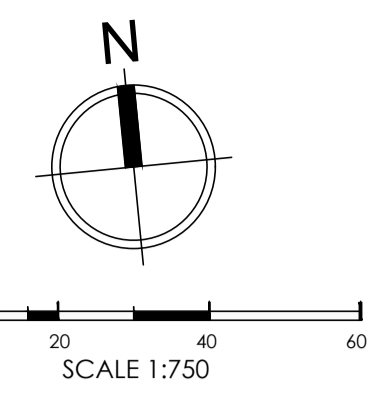
SHEET No. 1
SHEET No. 2

SHEET No. 1
SHEET No. 2

SHEET No. 1
SHEET No. 2

GRASSING AND LANDSCAPE SCHEDULE

SYMBOL	CATEGORY	AREA (ha)	DESCRIPTION OF GRASSING / LANDSCAPE TREATMENT
	GREENS	0.58	AGROSTIS STOLONIFERA (BENTGRASS) CULTIVAR TO BE CONFIRMED WITH FURTHER INVESTIGATION
	TEES	0.38	CYNODON DACTYLON x CYNODON TRANSVAALENSIS ('SANTA ANA' COUCH)
	BUNKERS	0.17	BUNKER SAND TO BE SELECTED TO MEET REQUIREMENTS OF TECHNICAL SPECIFICATION
	FAIRWAY	6.94	CYNODON SPP. (COMMON COUCH) TO NEW FAIRWAY AREAS WITH EXISTING TURF GRASSES RETAINED ON FAIRWAYS NOT AFFECTED BY WORKS
	SHORT ROUGH	3.99	CYNODON SPP. (COMMON COUCH) TO NEW SHORT ROUGH AREAS WITH EXISTING TURF GRASSES RETAINED ON FAIRWAYS NOT AFFECTED BY WORKS
	LONG ROUGH (WITH TREES)	1.56	LONG ROUGH IS TO BE NON-IRRIGATED AND REMAIN A PLAYABLE PART OF THE GOLF COURSE WITH OCCASIONAL MOWING AS REQUIRED. CONSISTS OF A MIX OF COMMON COUCH, NATIVE GRASSES AND INCLUDE NEW TREE PLANTINGS.
	LONG ROUGH	3.71	LONG ROUGH IS TO BE NON-IRRIGATED AND REMAIN A PLAYABLE PART OF THE GOLF COURSE WITH OCCASIONAL MOWING AS REQUIRED. CONSISTS OF A MIX COMMON COUCH, NATIVE GRASSES, AND EXISTING TREES.
	CREEK / WETLAND	0.26	TO BE REVEGETATED WITH A MIX OF LOW-LEVEL SEDGES AND MACROPHYTES PREPARED IN CONSULTATION WITH TRAVERS
	RIPARIAN (HIGH)	1.87	RIPARIAN PLANTING TO CONSIST OF RIVER FLAT EUCALYPT FOREST INCLUDING NATIVE TREES, SHRUBS, AND GRASSES PREPARED IN CONSULTATION WITH TRAVERS
	RIPARIAN (LOW)	0.43	HEIGHT RESTRICTED RIPARIAN AREAS (RIVER FLAT EUCALYPT FOREST) DUE TO PLAYABILITY REQUIREMENTS OF GOLF COURSE. RIPARIAN PLANTING TO CONSIST OF GRASSES AND GROUNDCOVERS PREPARED IN CONSULTATION WITH TRAVERS
	LANDSCAPE REVEGETATION	1.74	A 'CLOSED WOODLAND' MIX OF NATIVE TREES, SHRUBS, GROUNDCOVERS / GRASSES PREPARED IN CONSULTATION WITH BOTANICA AND TRAVERS



LEGEND

- PROPERTY BOUNDARY
- HOLE CENTRELINE
- EXISTING CONTOUR
- DESIGN CONTOUR - HALF
- DESIGN CONTOUR - HALF
- EXISTING FEATURE
- PROPOSED GOLF FEATURE
- EXTENT OF BULK EARTHWORKS
- DRAINAGE LINE (100mm PVC)
- DRAINAGE LINE (150mm PVC)
- DRAINAGE LINE (100mm AG.)
- STORMWATER PIT
- CART PATH (EXISTING)
- DECOMPOSED GRANITE CART PATH (NEW)
- TIMBER BOARDWALK BRIDGE
- PROPOSED BUNKER
- PROPOSED GREEN (Agrostis spp. 'Bentgrass' - TBC)
- PROPOSED TEE (Cynodon spp. 'Santa Ana')
- PROPOSED FAIRWAY (Cynodon spp. 'Common Couch')
- PROPOSED SHORT ROUGH (Cynodon spp. 'Common Couch')
- CREEK / WETLAND (EXISTING) REVEGETATION WITH TRAVERS
- CREEK / WETLAND (PROPOSED) REVEGETATION WITH TRAVERS
- LANDSCAPE REVEGETATION IN CONSULTATION WITH BOTANICA
- R.F.E.F. RIPARIAN REVEGETATION (HIGH) IN CONSULTATION WITH TRAVERS
- RIPARIAN REVEGETATION (LOW) IN CONSULTATION WITH TRAVERS
- LONG ROUGH (WITH NEW TREES) IN CONSULTATION WITH BOTANICA
- LONG ROUGH (INCLUDING EXISTING TREES)
- EXISTING TREE RETAINED & PROTECTED THROUGHOUT ALL WORKS IN ACCORDANCE WITH AS 4970-2009



CLIENT
CATHOLIC CEMETERIES BOARD

PROJECT
WALLACIA COUNTRY CLUB

DRAWING NO. W917-DA-11 ISSUE D SHEET NO. 11 / 12

SCALE 1:750 (A1) DATE 03.12.2019

GOLF COURSE GRASSING & LANDSCAPE PLAN (2)

REV	DESCRIPTION	DATE
A	ISSUE FOR DISCUSSION	22.09.19
B	ISSUE FOR REVIEW	31.10.19
C	ISSUE FOR REVIEW	11.11.19
D	ISSUE FOR APPROVAL	03.12.19



P: +61(2)9954 1041 M: +61(4)19 626 858
E: bob@harrisingolf.com.au
Suite 1002, 275 Alfred St, North Sydney
NSW 2060 AUSTRALIA
www.harrisingolf.com.au

PHILOSOPHY AND DESIGN APPROACH

BOB HARRISON'S RECORD OVER THE LAST 30 YEARS DEMONSTRATES THE BELIEF THAT GOLF COURSES SHOULD LOOK AS NATURAL AND AS SPECTACULAR AS POSSIBLE. DURING A DISTINGUISHED CAREER AS A GOLF COURSE ARCHITECT, HARRISON HAS BEEN FORTUNATE TO WORK ON A DIVERSE VARIETY OF SITES. THESE RANGE FROM LAND THAT IS NATURALLY BEAUTIFUL SUCH AS THE WALLACIA COURSE, TO THOSE WHERE INTERESTING SHAPE AND LANDSCAPE HAD TO BE CREATED TO CREATE AN APPEALING GOLF COURSE. WE HAVE A LOT OF EXPERIENCE WITH GOLF COURSE PROJECTS IN LAND SIMILAR TO THE WALLACIA GOLF COURSE WHICH IS ROLLING CLAY COUNTRY, OFTEN ON A SHALE BASE. THESE PAST PROJECTS INCLUDE ELLERSTON, THE VINTAGE, STONECUTTERS RIDGE, RIVERSIDE OAKS, THE GRAND, AND BROOKWATER.

WE ARE INTERESTED IN THE ARTISTRY OF GOLF COURSES AND THE SHAPES AND DESIGN PATTERNS OF THE VARIOUS COMPONENTS OF A GOLF HOLE. THESE DESIGN IDEAS ARE SIMILAR TO THOSE OF ALISTER MACKENZIE. EVEN BEFORE THE IDEA BECAME FASHIONABLE, WE ALWAYS WORKED AT REDUCING THE COSTLY AND ENVIRONMENTALLY-DIFFICULT EXPANSE OF TURFGRASS TO THE MINIMUM THAT STILL ALLOWS GOLFERS TO ENJOY THE COURSE. THE CONTRAST BETWEEN MANICURED TURF AND THE SURROUNDING LANDSCAPE IS PART OF THE APPEAL OF EVERY HOLE, AS WELL AS BEING GOOD FOR THE ENVIRONMENT.

WE PAY GREAT ATTENTION TO THE STYLE AND PATTERNS OF SHAPE IN THE BUNKERING, BOTH AT THE GREEN SITES AND IN THE FAIRWAYS. WE WOULD MAKE EVERY EFFORT TO ENSURE THAT ALL OF THE SHAPING WAS ATTRACTIVE AND CONTINUOUS, SO THAT THE OVERALL APPEARANCE IS AS NATURAL AS POSSIBLE.

PRECEDENT IMAGES - INTENDED STYLE OF GOLF COURSE LANDSCAPE

THE FOLLOWING IMAGES ARE FROM GOLF COURSES DESIGNED BY HARRISON GOLF OR BOB HARRISON AND REFLECT THE INTENDED APPROACH TO THE INTEGRATION OF THE GOLF COURSE WITHIN THE BROADER LANDSCAPE.



THE VINTAGE, HUNTER VALLEY, NEW SOUTH WALES
EXAMPLE OF SIMILAR ROLLING CLAY COUNTRY WITH GOLF COURSE INTEGRATED THROUGHOUT EXISTING MATURE EUCALYPT TREES



THE VINTAGE, HUNTER VALLEY, NEW SOUTH WALES
EXAMPLE OF LOW-LEVEL RIPARIAN PLANTING (FOREGROUND) WITH BOARDWALK BRIDGE AND JUVENILE TREE PLANTINGS (BACKGROUND)



THE VINTAGE, HUNTER VALLEY, NEW SOUTH WALES
EXAMPLE OF LOW AND HIGH LEVEL RIPARIAN PLANTING TO ALLOW GOLF HOLE TO BE PLAYED ACROSS RIPARIAN ZONE

EXISTING SITE PHOTOGRAPHS



SITE OF PROPOSED 7TH GREEN (EXISTING 2ND HOLE)



TEE SHOT ON PROPOSED 2ND HOLE - DEGRADED CREEK TO BE REVEGETATED



EXAMPLE OF ATTRACTIVE ROLLING CLAY COUNTRY (1ST HOLE)



APPROACH TO PROPOSED 2ND GREEN (EXISTING 18TH HOLE)



RIVERSIDE OAKS, NORTH-WEST SYDNEY, NEW SOUTH WALES
EXAMPLE OF PROPOSED BUNKER STYLE WITH A SLIGHTLY RUGGED APPEARANCE TO MATCH THE EXISTING LANDSCAPE CHARACTER OF THE PROPERTY



RIVERSIDE OAKS, NORTH-WEST SYDNEY, NEW SOUTH WALES
EXAMPLE OF PROPOSED BUNKER STYLE WITH A SLIGHTLY RUGGED APPEARANCE TO MATCH THE EXISTING LANDSCAPE CHARACTER OF THE PROPERTY



RIVERSIDE OAKS, NORTH-WEST SYDNEY, NEW SOUTH WALES
EXAMPLE OF PROPOSED BUNKER STYLE AND LONG ROUGH TREATMENT



STONECUTTERS RIDGE, NORTH-WEST SYDNEY, NEW SOUTH WALES
EXAMPLE OF INTEGRATION OF GOLF COURSE TEES WITHIN LONG ROUGH LANDSCAPE AREA



STONECUTTERS RIDGE, NORTH-WEST SYDNEY, NEW SOUTH WALES
EXAMPLES OF RETAINING SPECIMEN MATURE TREES WHERE FEASIBLE WITHIN THE GOLF COURSE DESIGN



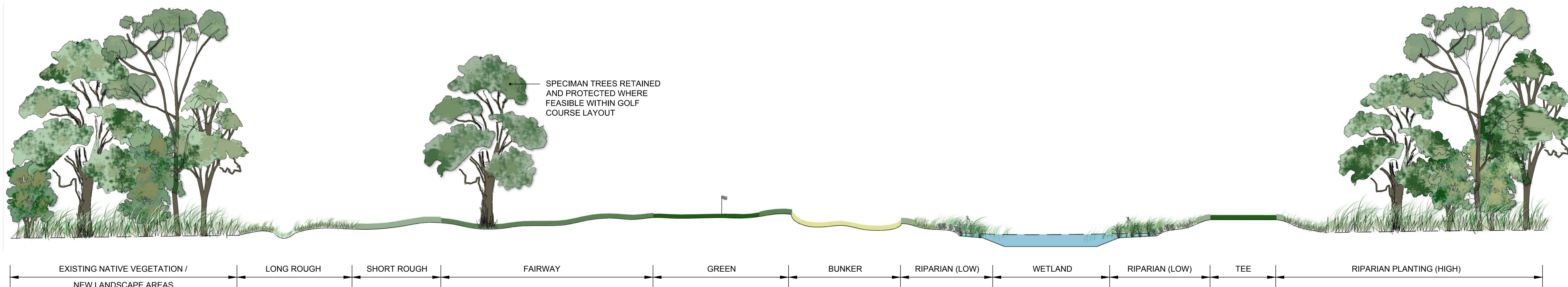
THE VINTAGE, HUNTER VALLEY, NEW SOUTH WALES
EXAMPLE OF INTEGRATING GOLF HOLE WITH WETLAND / LAKE INCLUDING RIPARIAN PLANTING TO WETLAND'S EDGE AND NEW TREE PLANTING BEHIND THE GREEN



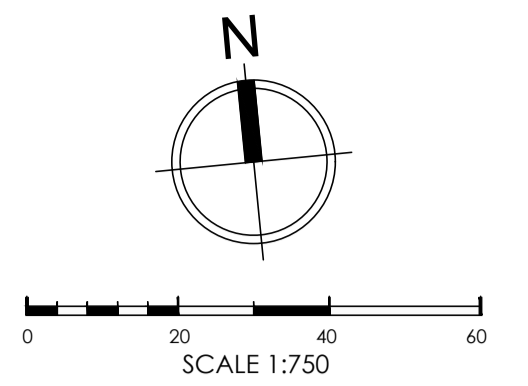
STONECUTTERS RIDGE, NORTH-WEST SYDNEY, NEW SOUTH WALES
EXAMPLES OF WETLAND / GOLF INTEGRATION AND PLANTING OF NEW LANDSCAPE AREAS TO PROVIDE SCREENING TO ADJACENT RESIDENTIAL HOUSING



STONECUTTERS RIDGE, NORTH-WEST SYDNEY, NEW SOUTH WALES
EXAMPLES OF LOW-LEVEL GOLF COURSE RIPARIAN PLANTING



INDICATIVE CROSS SECTION OF VARIOUS GOLF COURSE LANDSCAPE TREATMENTS



CLIENT
CATHOLIC CEMETERIES BOARD
PROJECT
WALLACIA COUNTRY CLUB

DRAWING NO. W917-DA-12
ISSUE D
SHEET NO. 12 / 12
SCALE NTS
DATE 03.12.2019

GOLF COURSE GRASSING & LANDSCAPE PLAN (3)

REV	DESCRIPTION	DATE
A	ISSUE FOR DISCUSSION	22.09.19
B	ISSUE FOR REVIEW	31.10.19
C	ISSUE FOR REVIEW	11.11.19
D	ISSUE FOR APPROVAL	03.12.19



P: +61(2)9954 1041 M: +61(4)19 626 858
E: bob@harrisingolf.com.au
Suite 1002, 275 Alfred St, North Sydney
NSW 2060 AUSTRALIA
www.harrisingolf.com.au