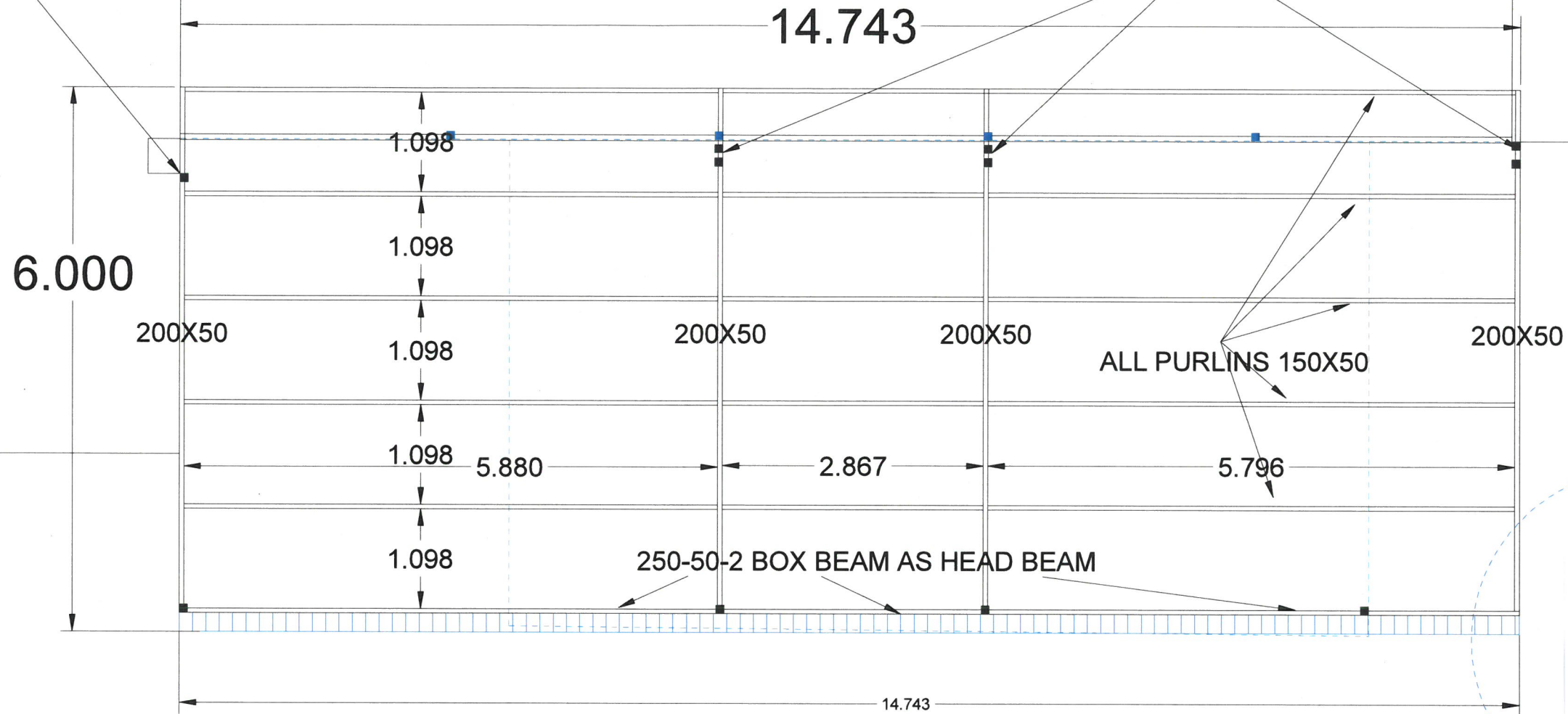



90 X 90 X 2 SHS POST AGAINST WALL  
FIXED TO WALL AND EXISTING SLAB

WELDED OFFSET  
POSTS AT REAR  
IN LINE WITH  
EXISTING POSTS  
90 X 90 X 2mm  
INTO NEW FOOTING



**KNEEBONE BERETTA & HALL PTY LTD**  
Consulting Structural & Civil Engineers  
ACN 002 419 767 ABN 36 822 442 203  
4 MACQUARIE AVE PENRITH 2750  
PH 02 47313833  
Email : [office@kbhallengineers.com.au](mailto:office@kbhallengineers.com.au)

Ref: 106647  
Date 18.3.20

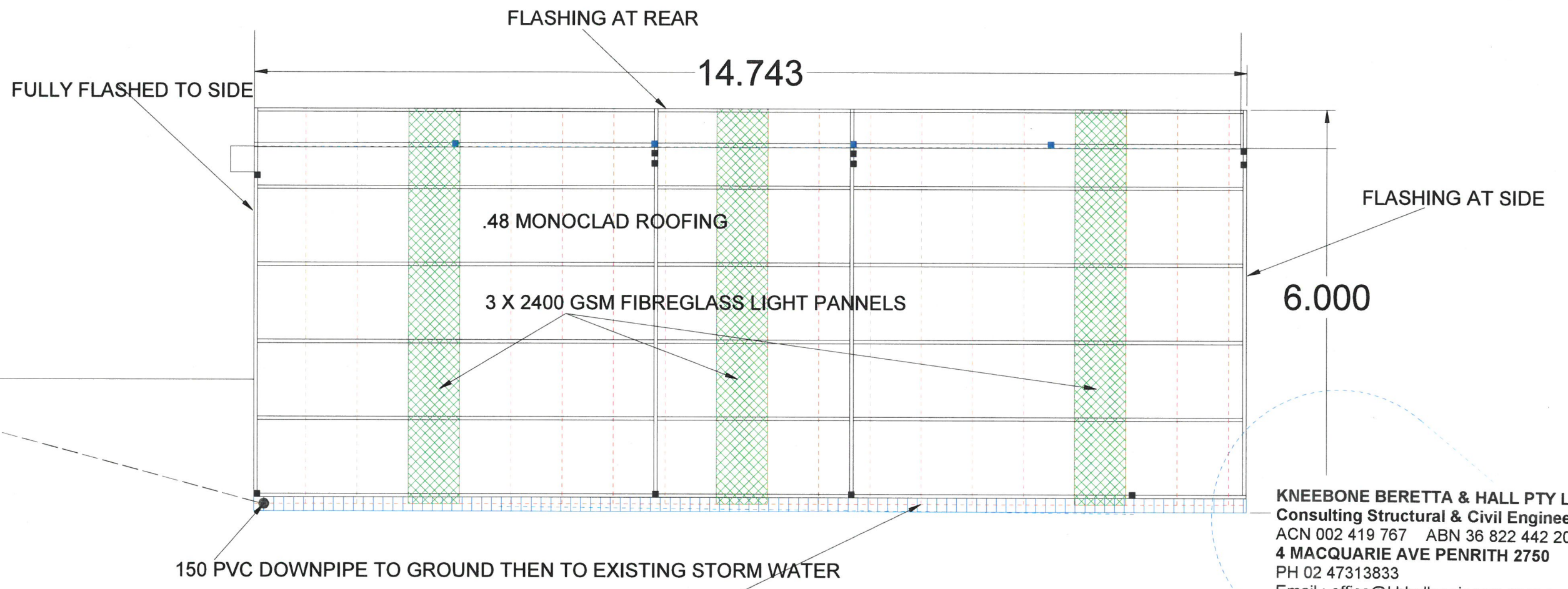
APPROVED:   
Trevor B Hall FIEAust CPEng NER  
For Kneebone Beretta & Hall Pty Ltd  
FRAMING DESIGNED TO SUPPORT  
METAL/FIBREGLASS CLADDING IN  
A REGION A TERRAIN CATEGORY 3  
WIND AREA IN ACCORDANCE WITH  
AS/NZS 1170.2

Copyright © Drawing remains the property of ATS AWNINGS Pty Ltd and may not be reproduced without prior consent. DO NOT SCALE from Drawing. All dimensions are in millimeters and are to be verified onsite prior to construction.

|            |           |             |                 |   |      |  |
|------------|-----------|-------------|-----------------|---|------|--|
| DATE       | AMENDMENT | ISSUE       | PROPOSED        | FOR COVER IT BUILDING GROUP               |      |  |
| 17/03/20   |           |             | AWNING          | STEPPING STONES CHILDRENS LEARNING CENTRE |      |  |
|            |           |             | AT SITE ADDRESS | 207 BENNETT ROAD ST CLAIR NSW 2759        |      |  |
|            |           |             | DRAWING         | LOT No.                                   | DP   |  |
|            |           |             | TOP VIEW        | ----                                      | ---- |  |
| DATE       | SCALE     | PROJECT No. | DRAWING No.     | SHEET No.                                 |      |  |
| 17/03/2020 | NTS       | ---         | 106647          | 1 of 5                                    |      |  |



**ATS AWNINGS**  
Unit 7/11 Robertson Place  
Jamisontown 2750  
NSW  
Phone : 1300 786 889  
[www.atsawnings.com.au](http://www.atsawnings.com.au)



**KNEEBONE BERETTA & HALL PTY LTD**  
 Consulting Structural & Civil Engineers  
 ACN 002 419 767 ABN 36 822 442 203  
 4 MACQUARIE AVE PENRITH 2750  
 PH 02 47313833  
 Email : [office@kbhallengineers.com.au](mailto:office@kbhallengineers.com.au)

Ref: 106647  
 Date 18.3.20

*[Signature]*

**APPROVED**  
**Trevor B Hall FIEAust CPeng NER**  
 For Kneebone Beretta & Hall Pty Ltd  
**FRAMING DESIGNED TO SUPPORT**  
**METAL/FIBREGLASS CLADDING IN**  
**A REGION A TERRAIN CATEGORY 3**  
**WIND AREA IN ACCORDANCE WITH**  
**AS/NZS 1170.2**

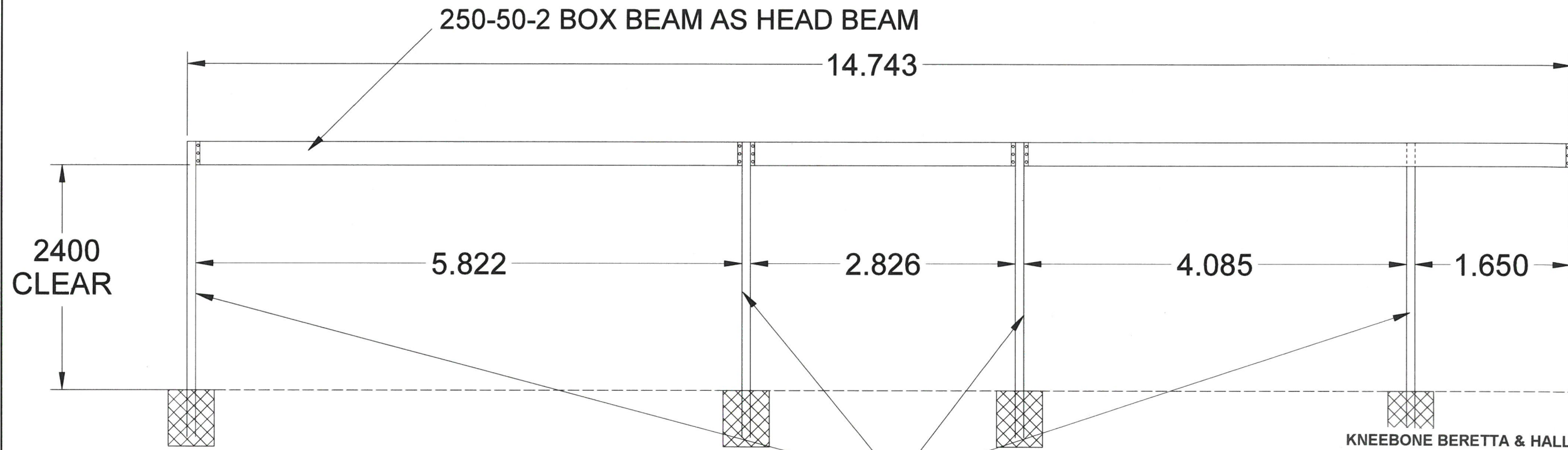
Copyright © Drawing remains the property of ATS AWNINGS Pty Ltd and may not be reproduced without prior consent. DO NOT SCALE from Drawing. All dimensions are in millimeters and are to be verified onsite prior to construction.

|          |           |             |                    |   |      |  |
|----------|-----------|-------------|--------------------|---|------|--|
| DATE     | AMENDMENT | ISSUE       | PROPOSED           | FOR COVER IT BUILDING GROUP               |      |  |
| 17/03/20 |           |             | AWNING             | STEPPING STONES CHILDRENS LEARNING CENTRE |      |  |
|          |           |             | AT SITE ADDRESS    | 207 BENNETT ROAD ST CLAIR NSW 2759        |      |  |
|          |           |             | DRAWING            | LOT No.                                   | DP   |  |
|          |           |             | TOP VIEW WITH ROOF | ----                                      | ---- |  |
| DATE     | SCALE     | PROJECT No. | DRAWING No.        | SHEET No.                                 |      |  |
| 17/03/20 | NTS       | ---         | 106647             | 2 of 5                                    |      |  |



**ATS AWNINGS**  
 Unit 7/11 Robertson Place  
 Jamisontown 2750  
 NSW  
 Phone : 1300 786 889  
[www.atsawnings.com.au](http://www.atsawnings.com.au)

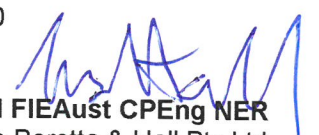




**90 X 90 X 2mm STEEL POSTS  
INTO NEW FOOTING 450 DIA 500 DEEP**

**KNEEBONE BERETTA & HALL PTY LTD**  
**Consulting Structural & Civil Engineers**  
 ACN 002 419 767 ABN 36 822 442 203  
 4 MACQUARIE AVE PENRITH 2750  
 PH 02 47313833  
 Email : [office@kbhallengineers.com.au](mailto:office@kbhallengineers.com.au)

Ref: 106647  
 Date 18.3.20

**APPROVED**   
**Trevor B Hall FIEAust CPEng NER**  
 For Kneebone Beretta & Hall Pty Ltd  
**FRAMING DESIGNED TO SUPPORT  
 METAL/FIBREGLASS CLADDING IN  
 A REGION A TERRAIN CATEGORY 3  
 WIND AREA IN ACCORDANCE WITH  
 AS/NZS 1170.2**

Copyright © Drawing remains the property of ATS AWNINGS Pty Ltd and may not be reproduced without prior consent. DO NOT SCALE from Drawing . All dimensions are in millimeters and are to be verified onsite prior to construction.

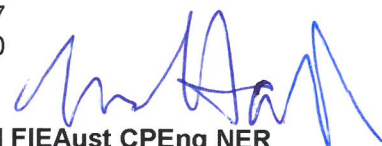
|          |           |       |                                    |   |             |             |
|----------|-----------|-------|------------------------------------|---|-------------|-------------|
| DATE     | AMENDMENT | ISSUE | PROPOSED                           | FOR COVER IT BUILDING GROUP               |             |             |
| 17/03/20 |           |       | AWNING                             | STEPPING STONES CHILDRENS LEARNING CENTRE |             |             |
|          |           |       | AT SITE ADDRESS                    |   |             |             |
|          |           |       | 207 BENNETT ROAD ST CLAIR NSW 2759 |   |             |             |
|          |           |       | DRAWING                            | LOT No.                                   | DP          |             |
|          |           |       | FRONT VIEW                         | ----                                      | ----        |             |
|          |           |       | DATE                               | SCALE                                     | PROJECT No. | DRAWING No. |
|          |           |       | 17/03/20                           | NTS                                       | ---         | 106647      |
|          |           |       |                                    |   |             | SHEET No.   |
|          |           |       |                                    |   |             | 3 of 5      |



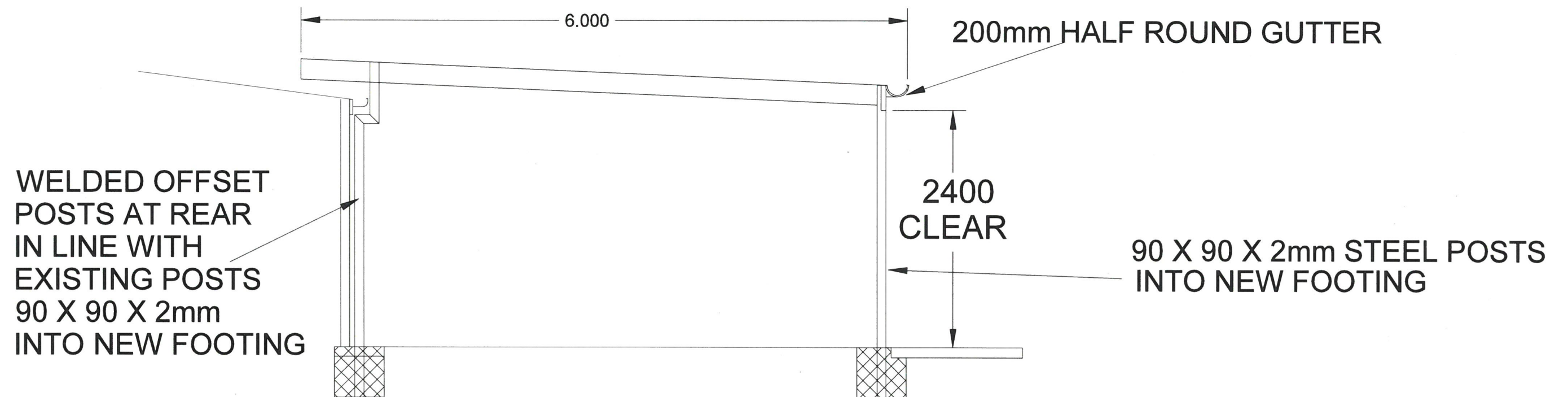
**ATS AWNINGS**  
 Unit 7/11 Robertson Place  
 Jamisontown 2750  
 NSW  
 Phone : 1300 786 889  
 www.atsawnings.com.au

**KNEEBONE BERETTA & HALL PTY LTD**  
**Consulting Structural & Civil Engineers**  
 ACN 002 419 767 ABN 36 822 442 203  
**4 MACQUARIE AVE PENRITH 2750**  
 PH 02 47313833  
 Email : [office@kbhallengengineers.com.au](mailto:office@kbhallengengineers.com.au)

Ref: 106647  
 Date 18.3.20



**APPROVED**  
**Trevor B Hall FIEAust CPEng NER**  
 For Kneebone Beretta & Hall Pty Ltd  
**FRAMING DESIGNED TO SUPPORT**  
**METAL/FIBREGLASS CLADDING IN**  
**A REGION A TERRAIN CATEGORY 3**  
**WIND AREA IN ACCORDANCE WITH**  
**AS/NZS 1170.2**



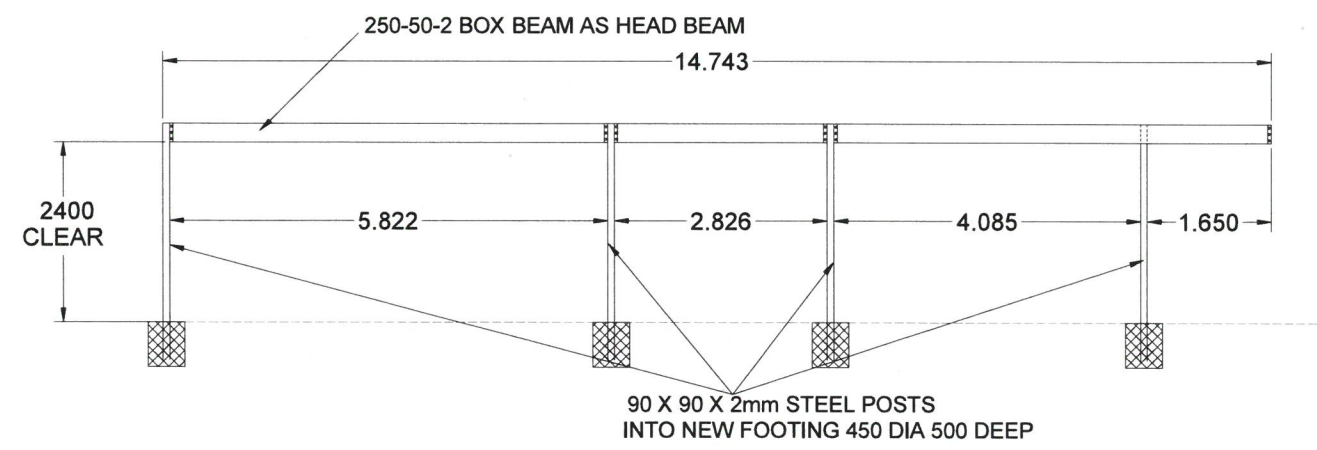
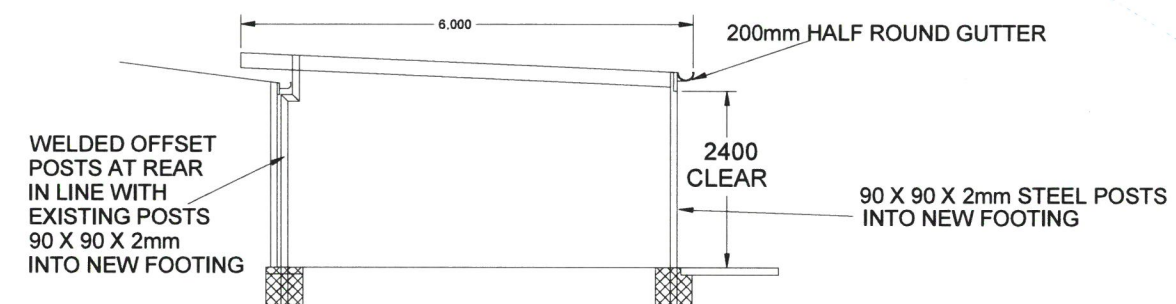
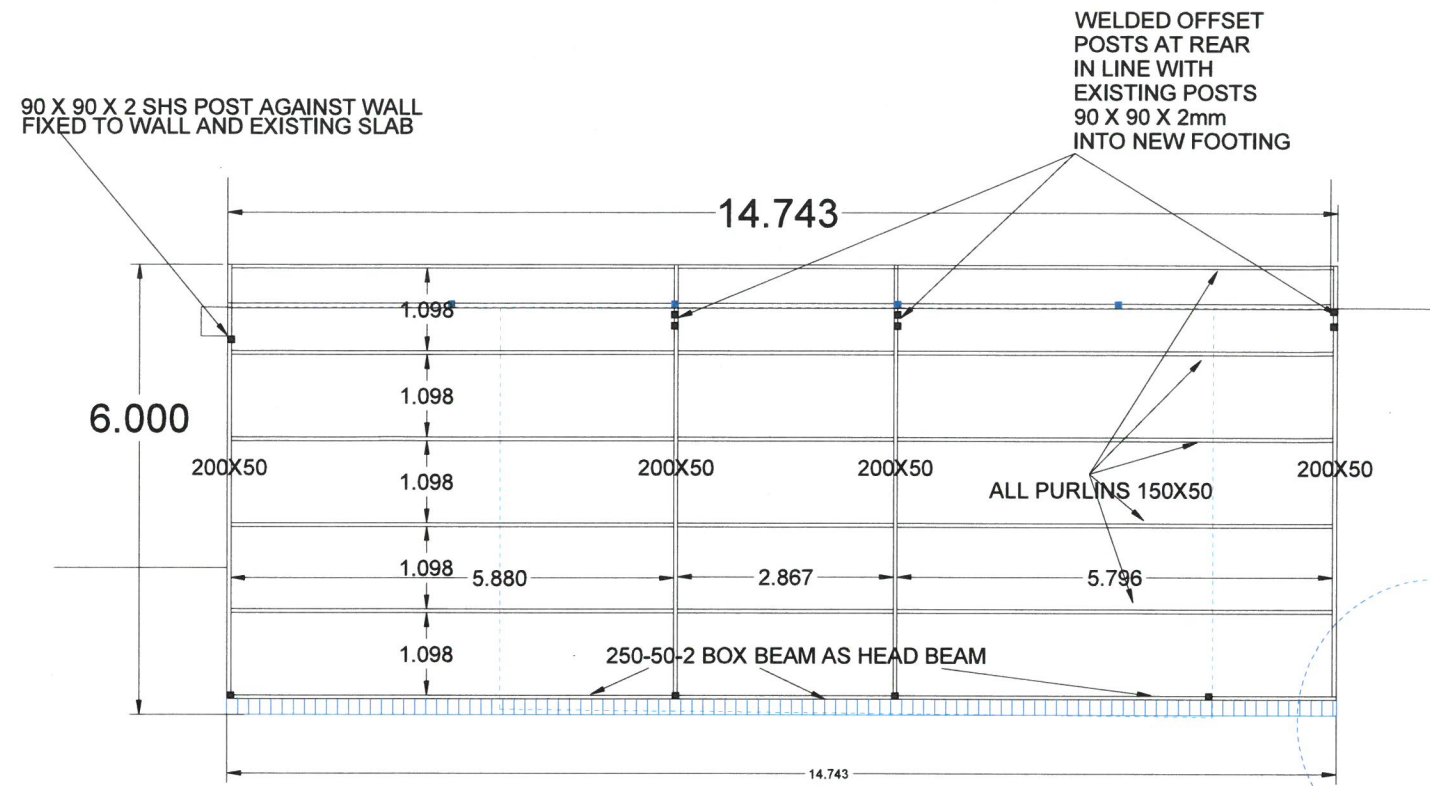
Copyright © Drawing remains the property of ATS AWNINGS Pty Ltd and may not be reproduced without prior consent. DO NOT SCALE from Drawing . All dimensions are in millimeters and are to be verified onsite prior to construction.

|          |           |       |                                    |   |             |             |
|----------|-----------|-------|------------------------------------|---|-------------|-------------|
| DATE     | AMENDMENT | ISSUE | PROPOSED                           | FOR COVER IT BUILDING GROUP               |             |             |
| 17/03/20 |           |       | AWNING                             | STEPPING STONES CHILDRENS LEARNING CENTRE |             |             |
|          |           |       | AT SITE ADDRESS                    |   |             |             |
|          |           |       | 207 BENNETT ROAD ST CLAIR NSW 2759 |   |             |             |
|          |           |       | DRAWING                            | LOT No.                                   | DP          |             |
|          |           |       | SIDE VIEW                          | ----                                      | ----        |             |
|          |           |       | DATE                               | SCALE                                     | PROJECT No. | DRAWING No. |
|          |           |       | 17/03/20                           | NTS                                       | ---         | 106647      |
|          |           |       |                                    |   |             | SHEET No.   |
|          |           |       |                                    |   |             | 4 of 5      |



**ATS AWNINGS**  
 Unit 7/11 Robertson Place  
 Jamisontown 2750  
 NSW  
 Phone : 1300 786 889  
[www.atsawnings.com.au](http://www.atsawnings.com.au)





**KNEEBONE BERETTA & HALL PTY LTD**  
 Consulting Structural & Civil Engineers  
 ACN 002 419 767 ABN 36 822 442 203  
 4 MACQUARIE AVE PENRITH 2750  
 PH 02 47313833  
 Email : [office@kbhallengineers.com.au](mailto:office@kbhallengineers.com.au)

Ref: 106647  
 Date 18.3.20

**APPROVED**  
 Trevor B Hall FIEAust CREng NER  
 For Kneebone Beretta & Hall Pty Ltd  
 FRAMING DESIGNED TO SUPPORT  
 METAL/FIBREGLASS CLADDING IN  
 A REGION A TERRAIN CATEGORY 3  
 WIND AREA IN ACCORDANCE WITH  
 AS/NZS 1170.2

Copyright © Drawing remains the property of ATS AWNINGS Pty Ltd and may not be reproduced without prior consent. DO NOT SCALE from Drawing. All dimensions are in millimeters and are to be verified onsite prior to construction.

|          |           |       |                                    |   |             |
|----------|-----------|-------|------------------------------------|---|-------------|
| DATE     | AMENDMENT | ISSUE | PROPOSED                           | FOR COVER IT BUILDING GROUP               |             |
| 17/03/20 |           |       | AWNING                             | STEPPING STONES CHILDRENS LEARNING CENTRE |             |
|          |           |       | AT SITE ADDRESS                    |   |             |
|          |           |       | 207 BENNETT ROAD ST CLAIR NSW 2759 |   |             |
|          |           |       | DRAWING                            | LOT No.                                   | DP          |
|          |           |       |                                    | ----                                      | ----        |
|          |           |       | DATE                               | SCALE                                     | PROJECT No. |
|          |           |       |                                    |   | ---         |
|          |           |       |                                    | DRAWING No.                               | SHEET No.   |
|          |           |       |                                    | 106647                                    | 5 of 5      |



**ATS AWNINGS**  
 Unit 7/11 Robertson Place  
 Jamisontown 2750  
 NSW  
 Phone : 1300 786 889  
 www.atsawnings.com.au