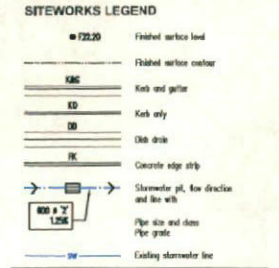
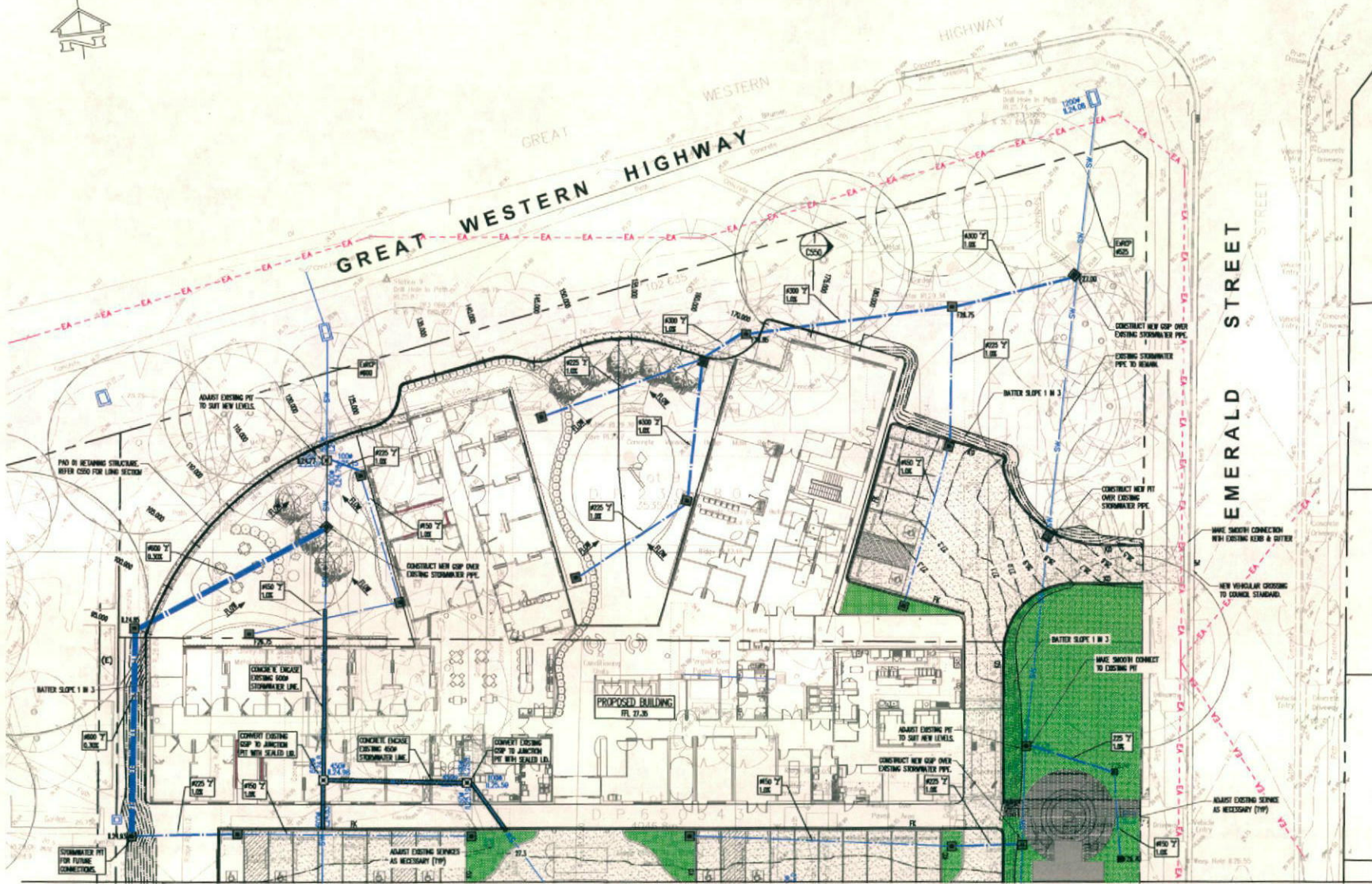
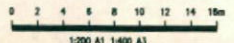




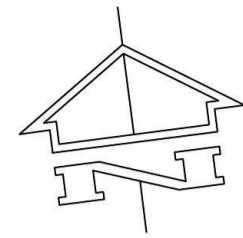
This drawing is copyright and is the property of TAYLOR THOMSON WESTING (NSW) Pty Ltd and must not be used without authorization. THIS DRAWING TO BE READ IN CONJUNCTION WITH ALL RELEVANT NOTES ON DRAWINGS COOL.



FOR CONTINUATION REFER TO DRAWING No C201



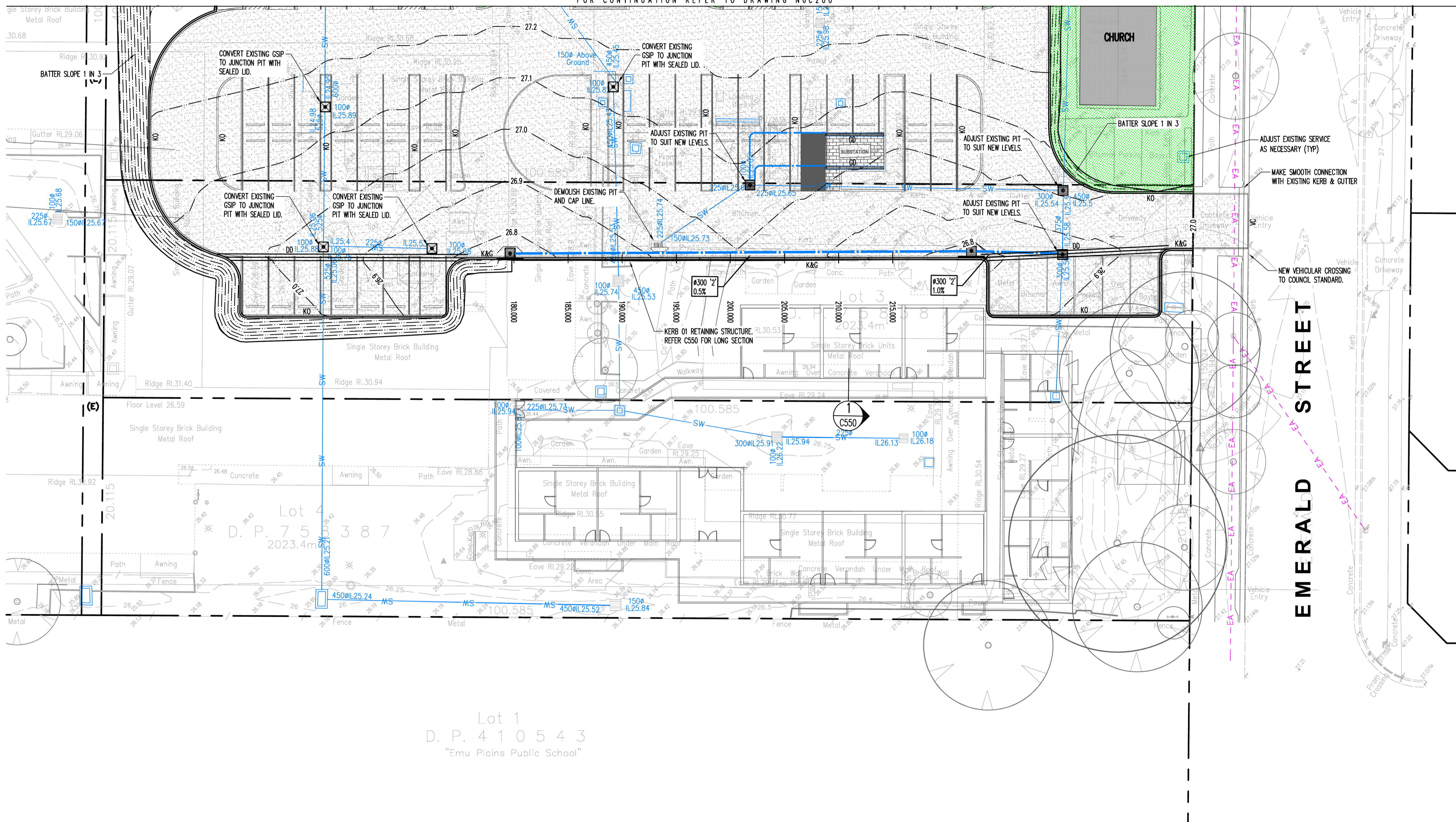
P1 ISSUE FOR I&M MW AM 15/03/18 Drawn Date Rev Description Eng Draft Date Rev Description Eng Draft Date	Architect <b>Morrison Design Partnership Architects</b> Level 3, Suite 3027 89 Christie Street St Leonards NSW 1595 Phone: (02) 9666 5566 www.mdp.com.au	C&M Engineer <b>TTW Taylor Thomson Westing</b> 612 9439 7266   48 Chandos Street St Leonards NSW 2065	Project <b>EDINGLASS VILLAGE, EMU PLANS</b>	Sheet Subject <b>SITWORKS AND STORMWATER MANAGEMENT PLAN SHEET 1 OF 2</b>	Scale: A1 1:200	Drawn AW	Authorised  
					Job No: <b>141456</b>	Drawing No: <b>C200</b>	Revision: <b>P1</b>



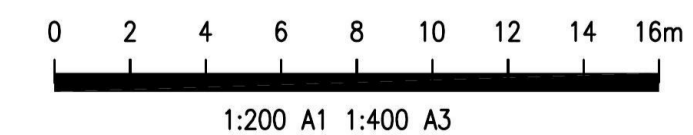
**SITWORKS LEGEND**

- F22.20 Finished surface level
- Finished surface contour
- K&G Kerb and gutter
- KO Kerb only
- DD Dish drain
- FK Concrete edge strip
- Stormwater pit, flow direction and line with
- 600 # 2' 1.25% Pipe size and class  
Pipe grade
- SW Existing stormwater line
- GD Grated drain

FOR CONTINUATION REFER TO DRAWING N0c200



Lot 1  
D. P. 4 1 0 5 4 3  
"Emu Plains Public School"



Filename: C201.dwg - USER: carrow - Plot File Created: Mar 23, 2018 - 1:12pm

A1 ..... 0 1 2 3 4 5 6 7 8 9 10

Rev	Description	Eng	Draft	Date	Rev	Description	Eng	Draft	Date	Rev	Description	Eng	Draft	Date
P1	ISSUE FOR DA	WW	AW	23.03.18										

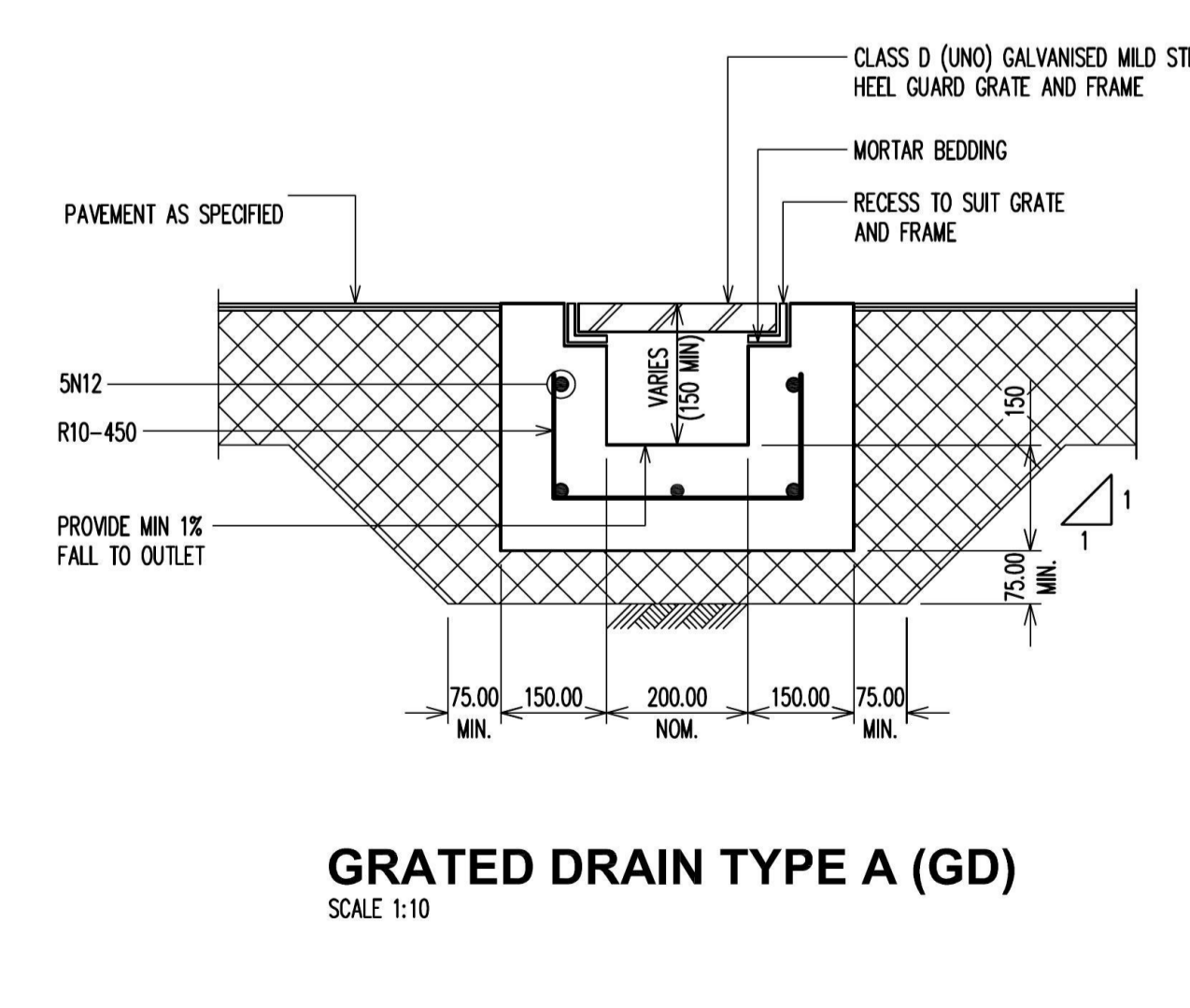
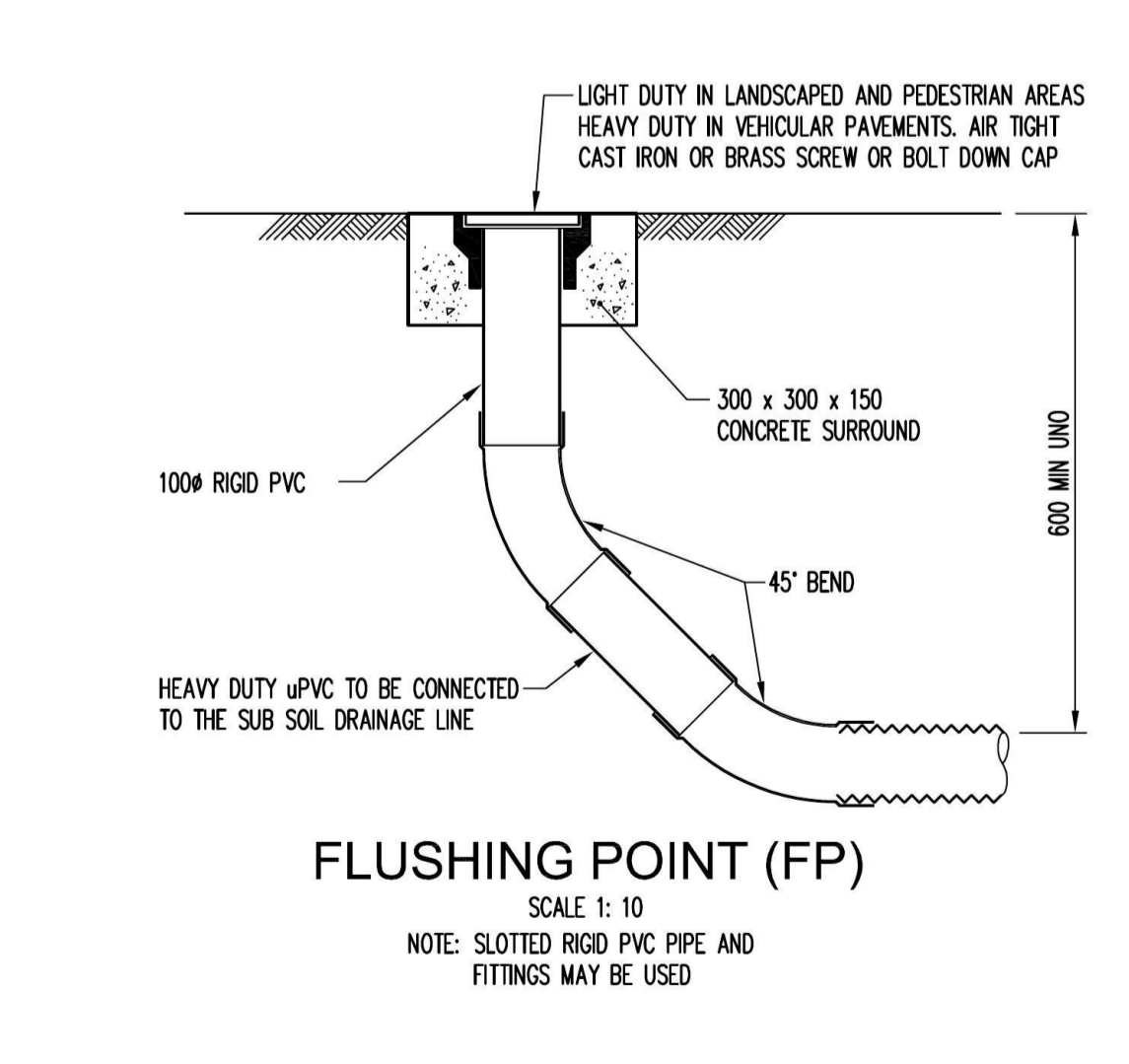
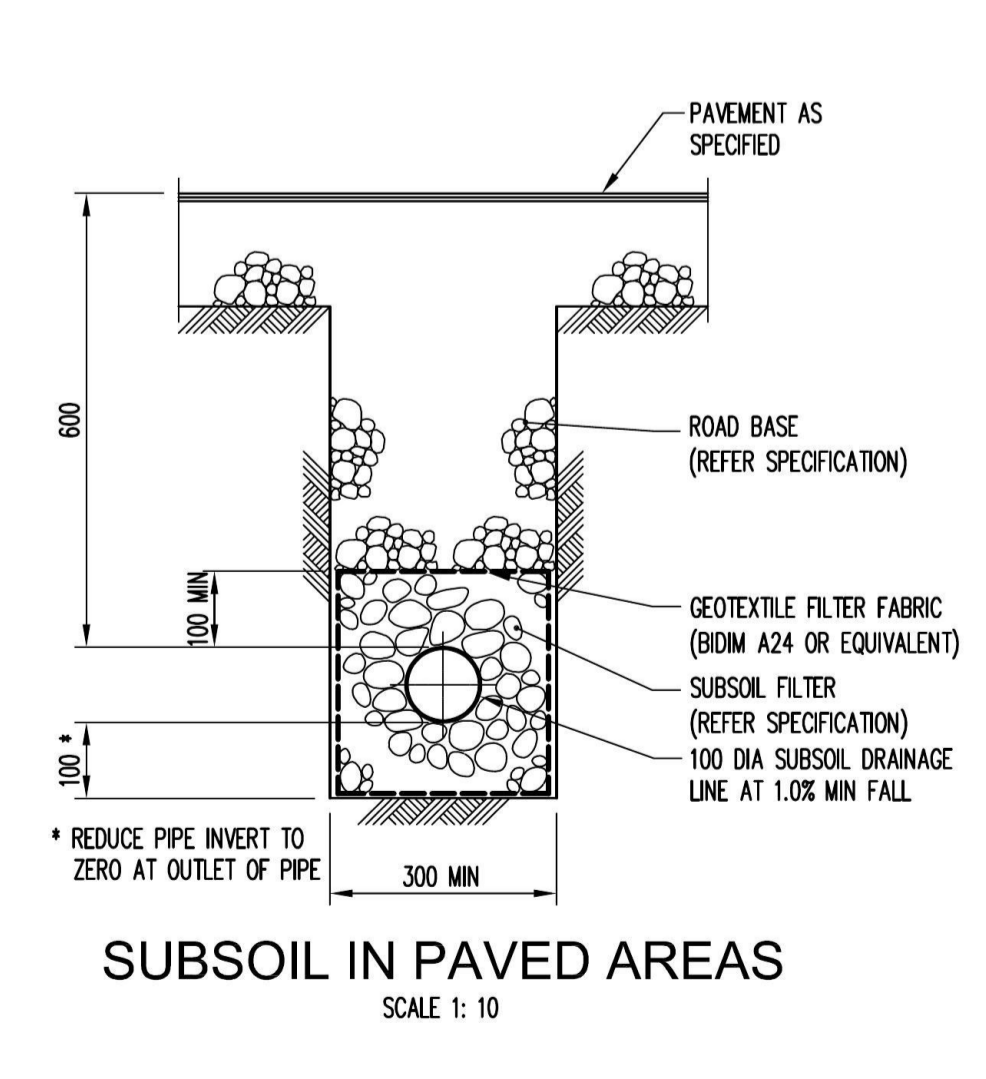
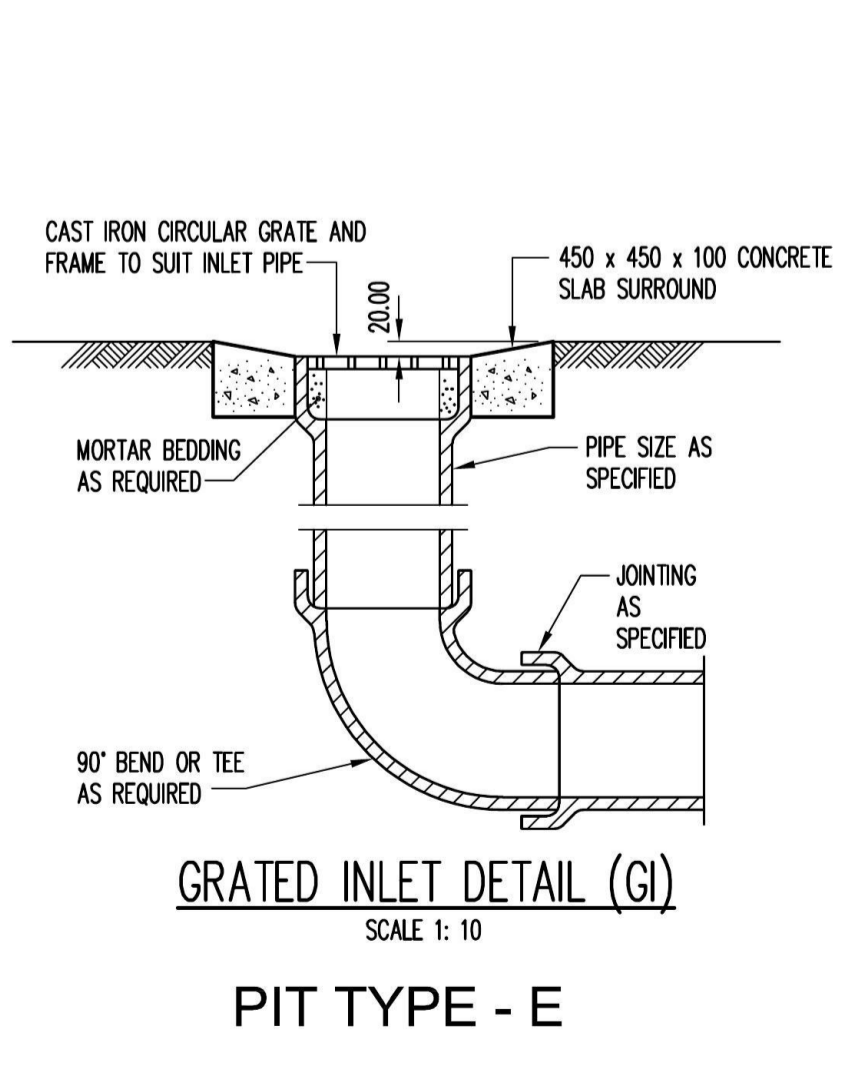
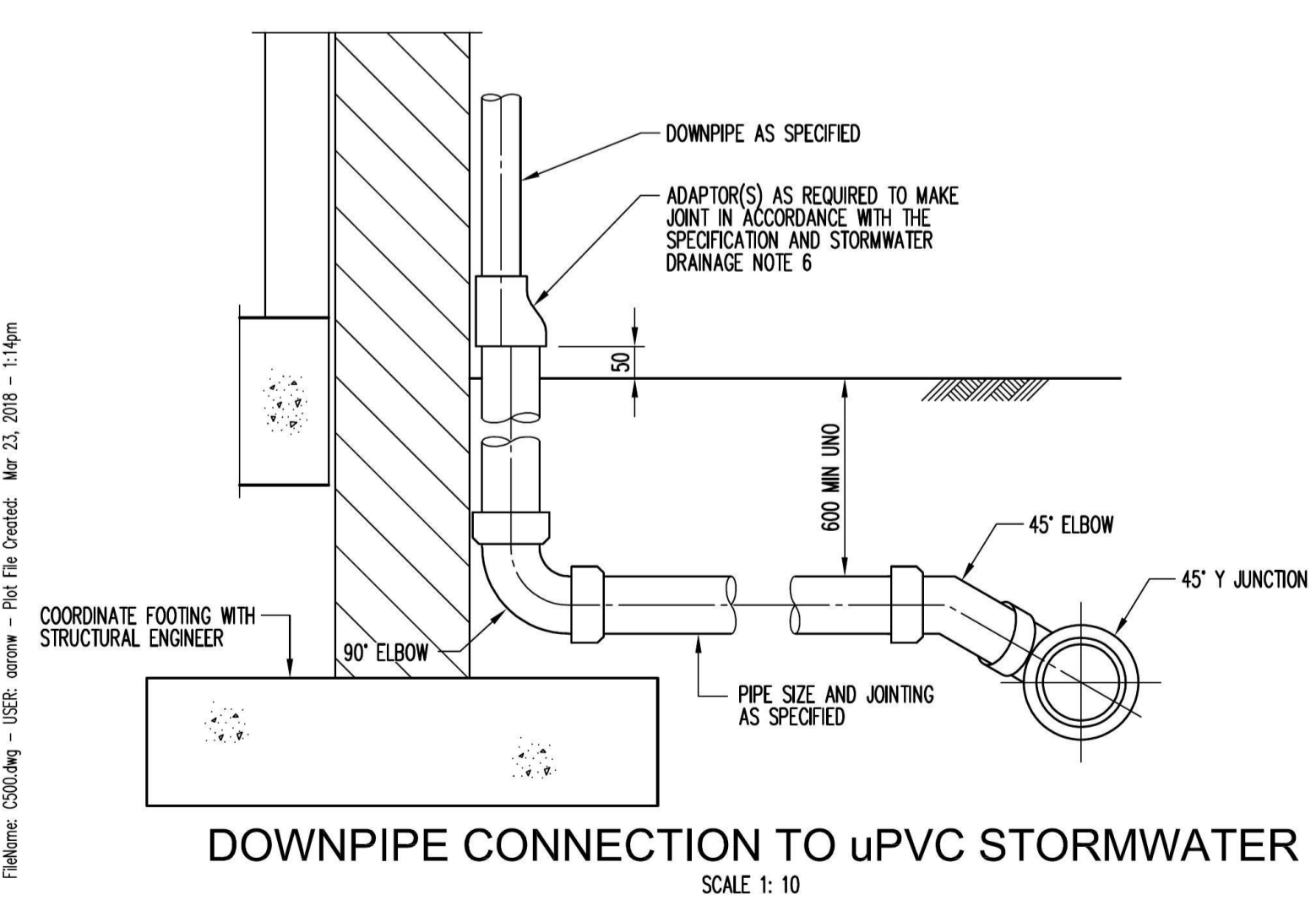
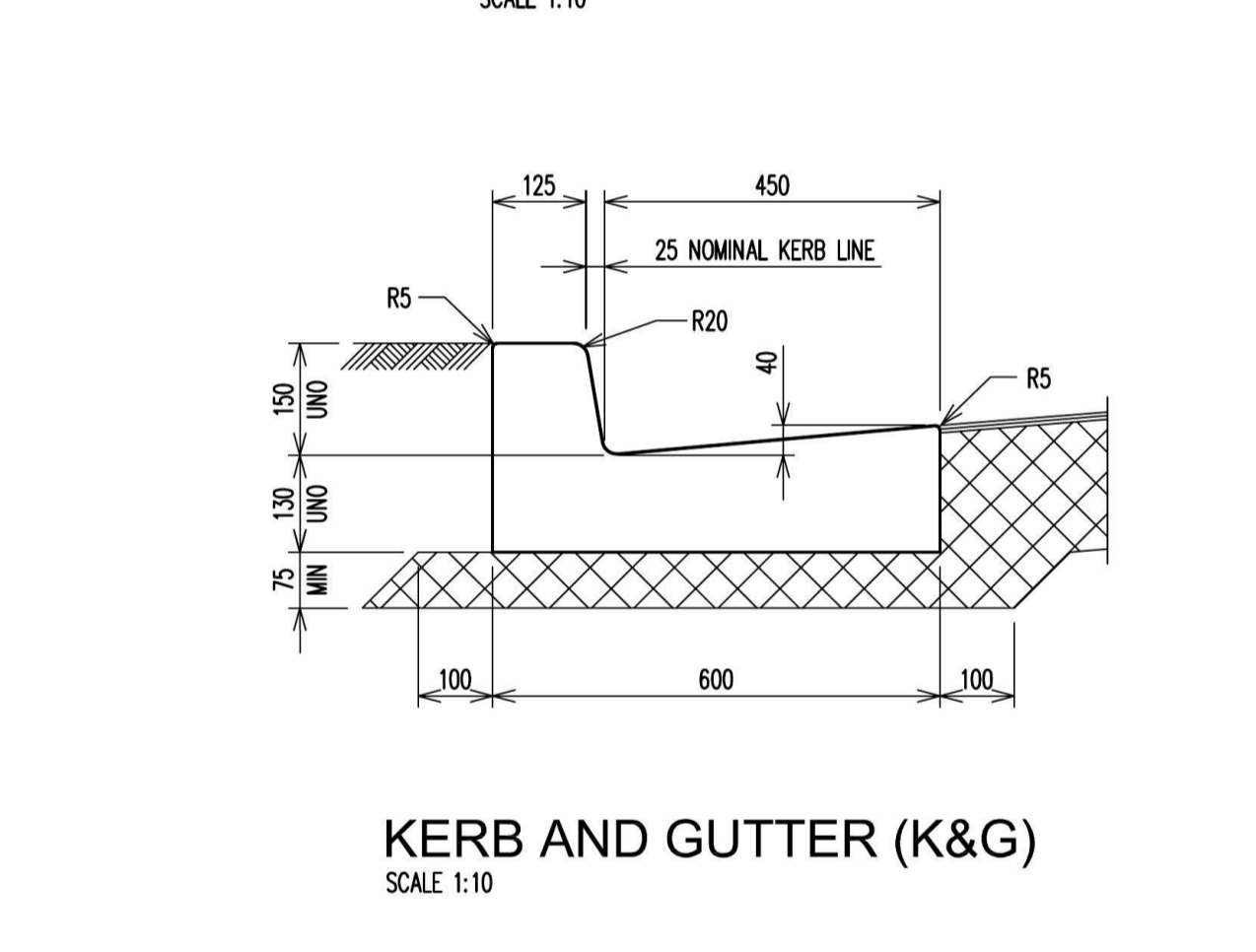
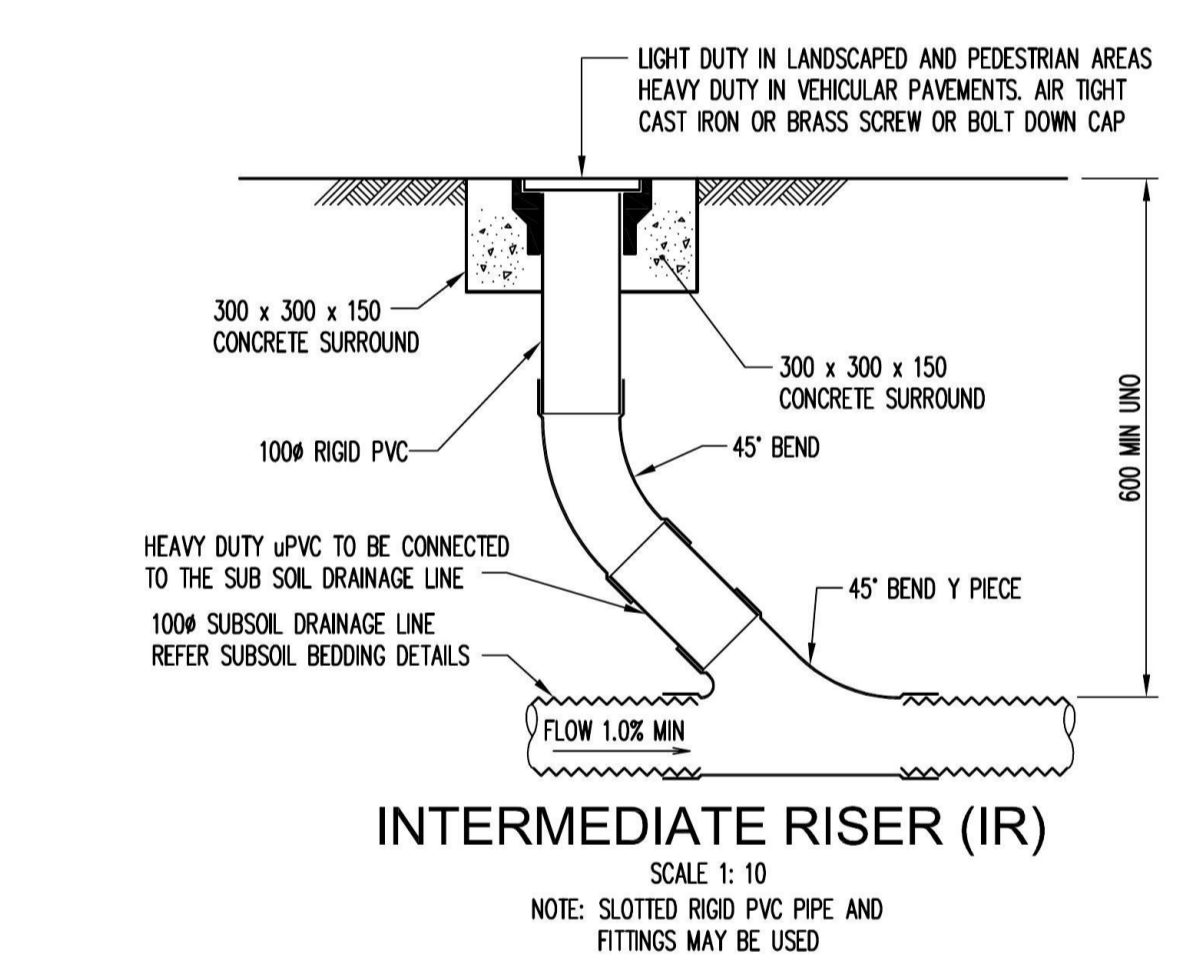
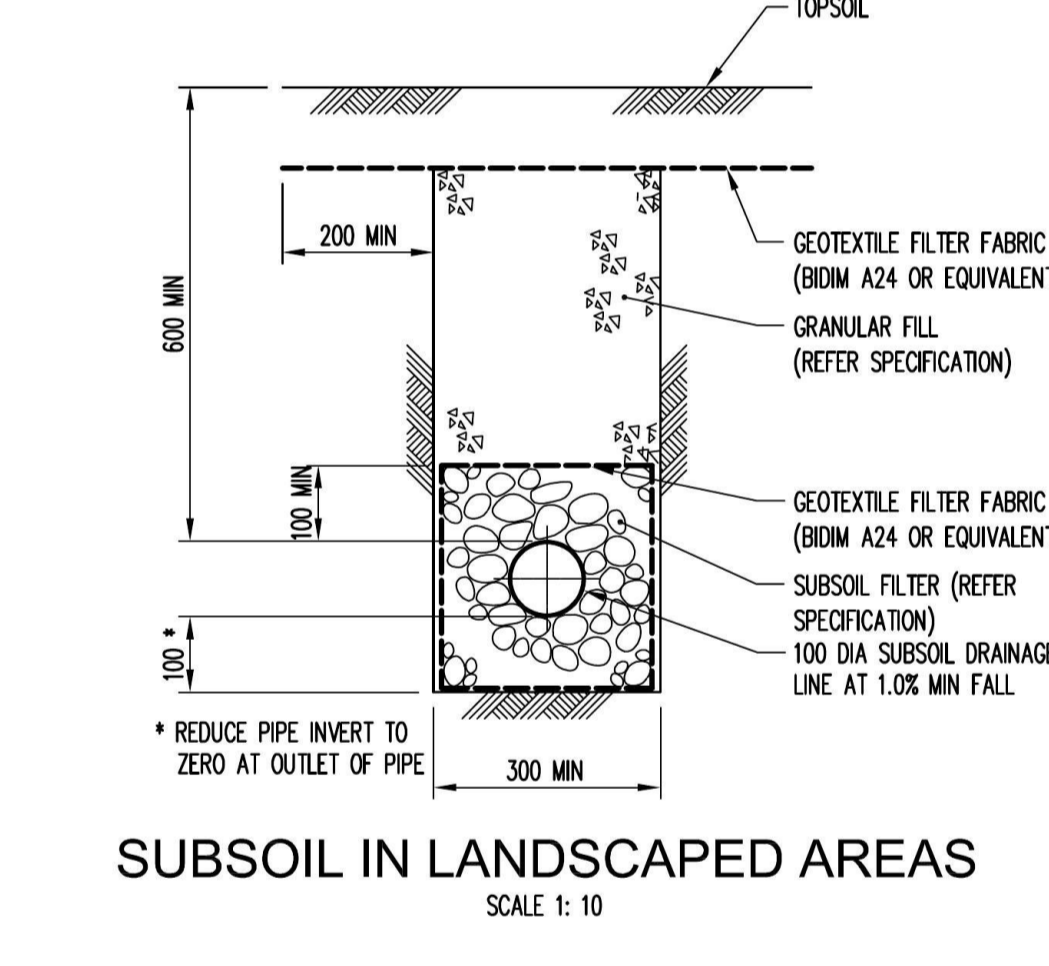
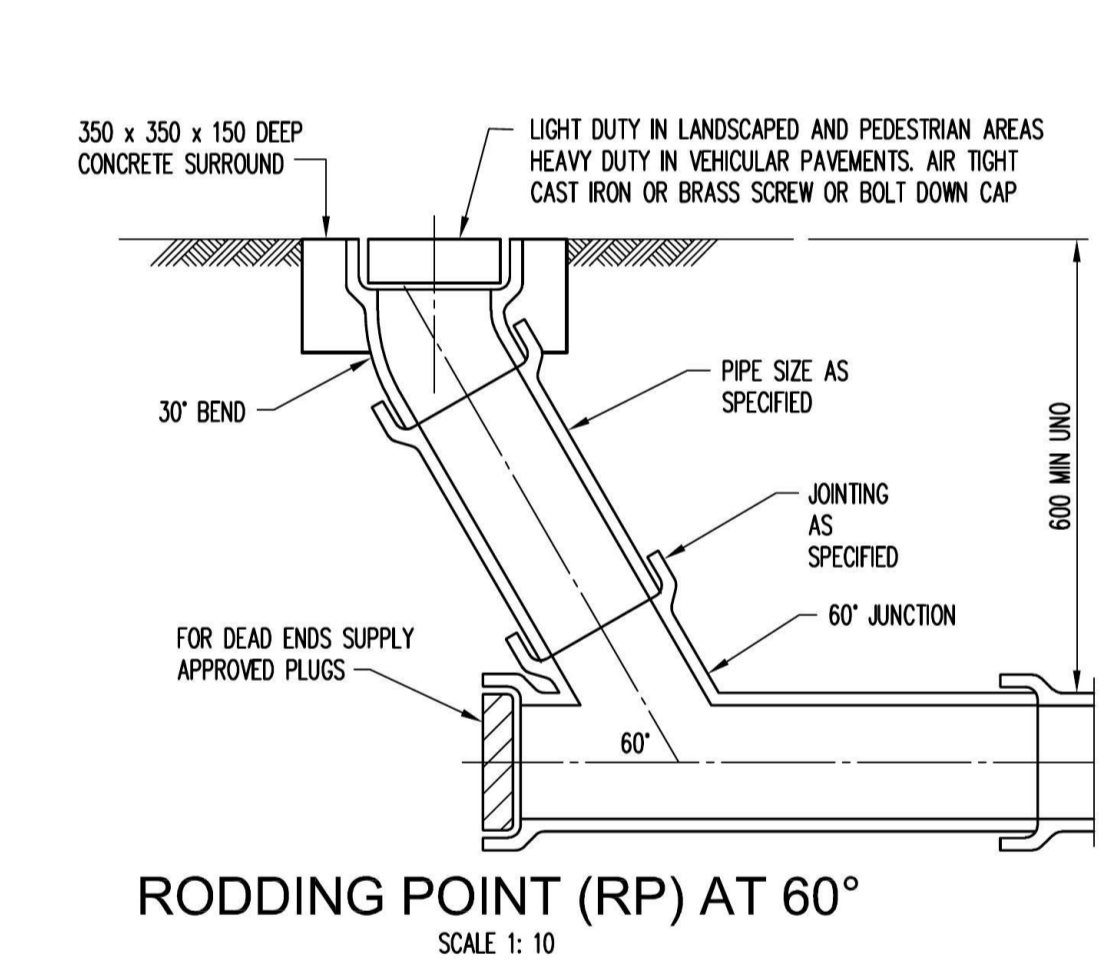
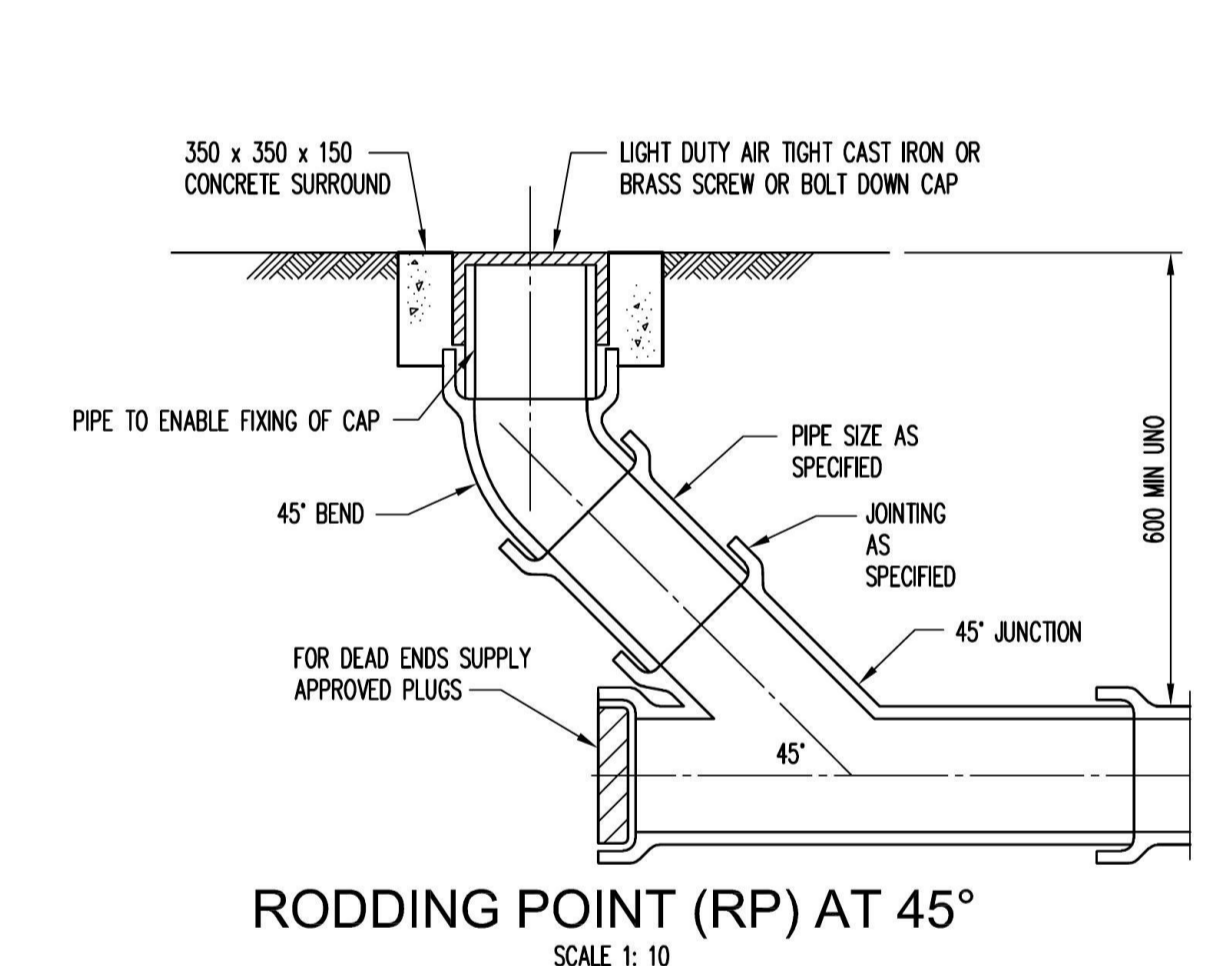
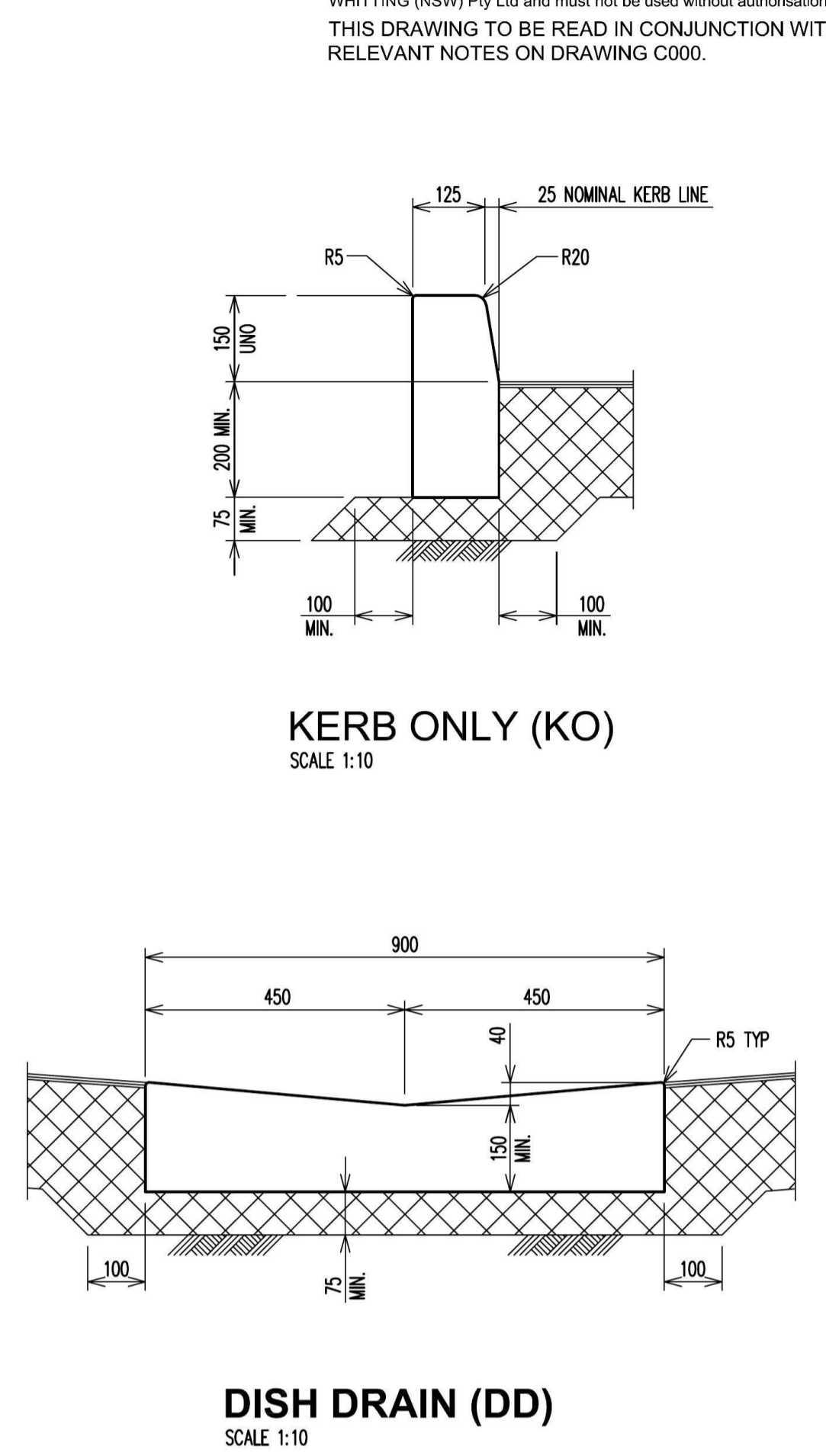
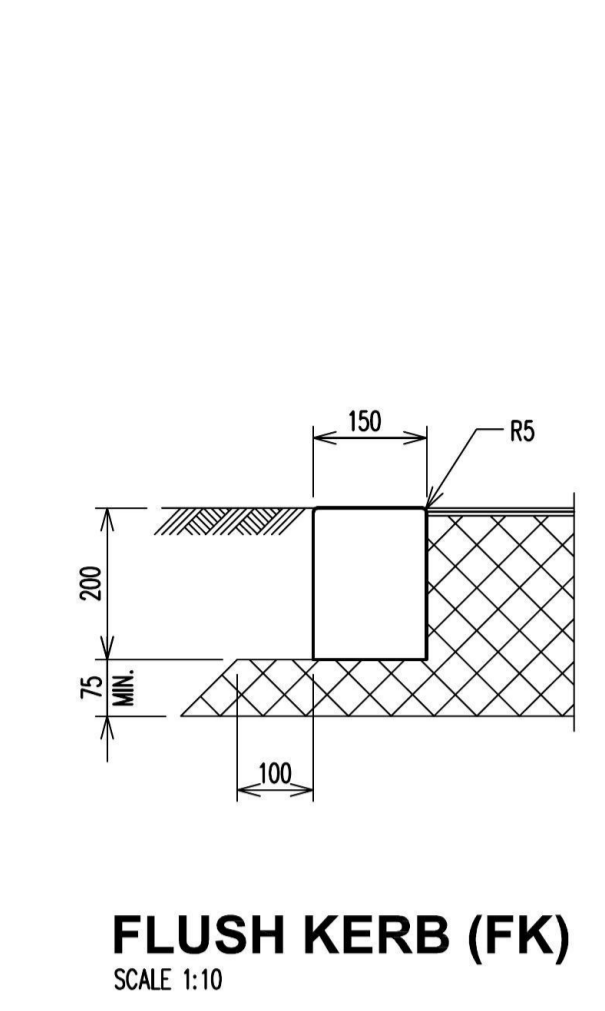
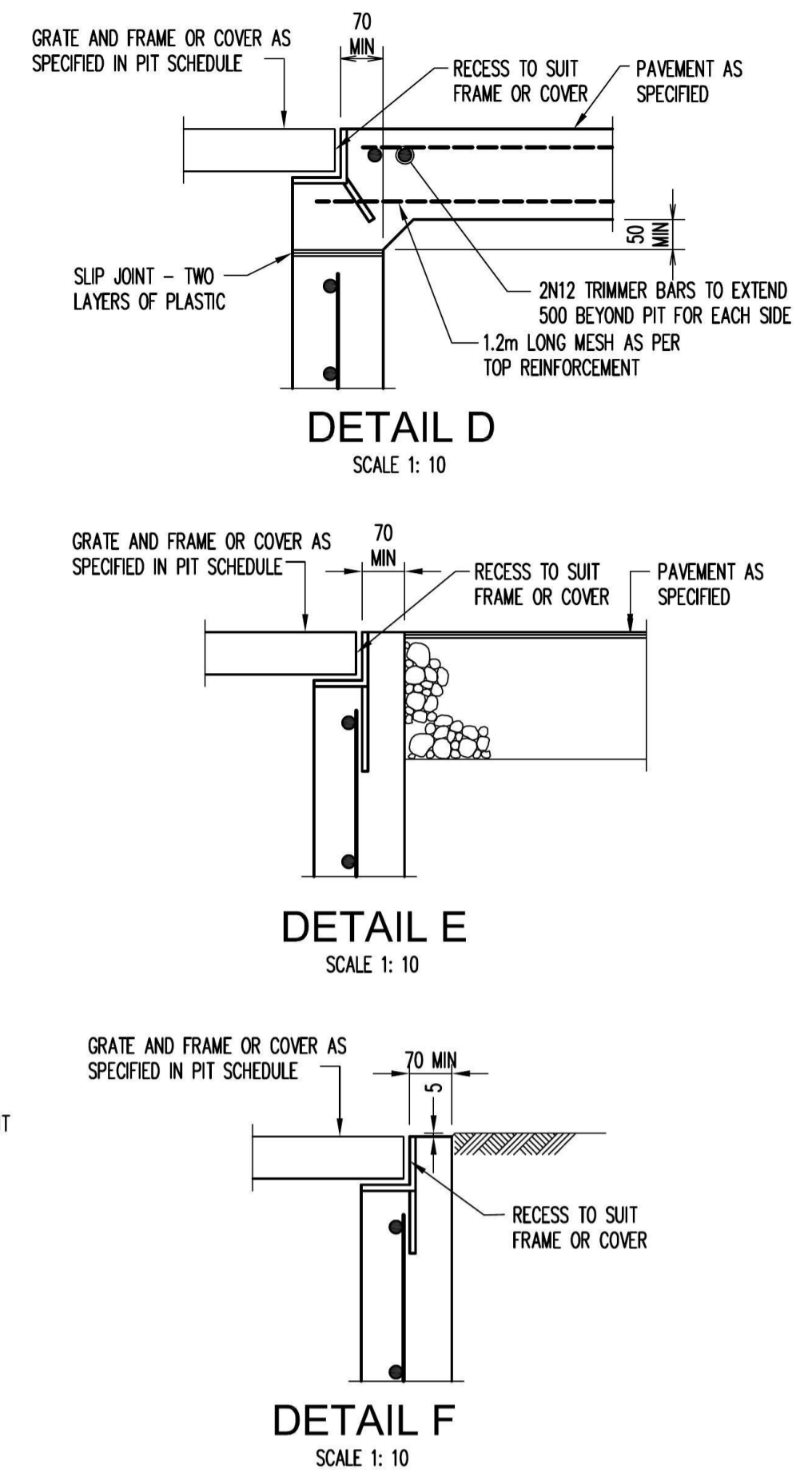
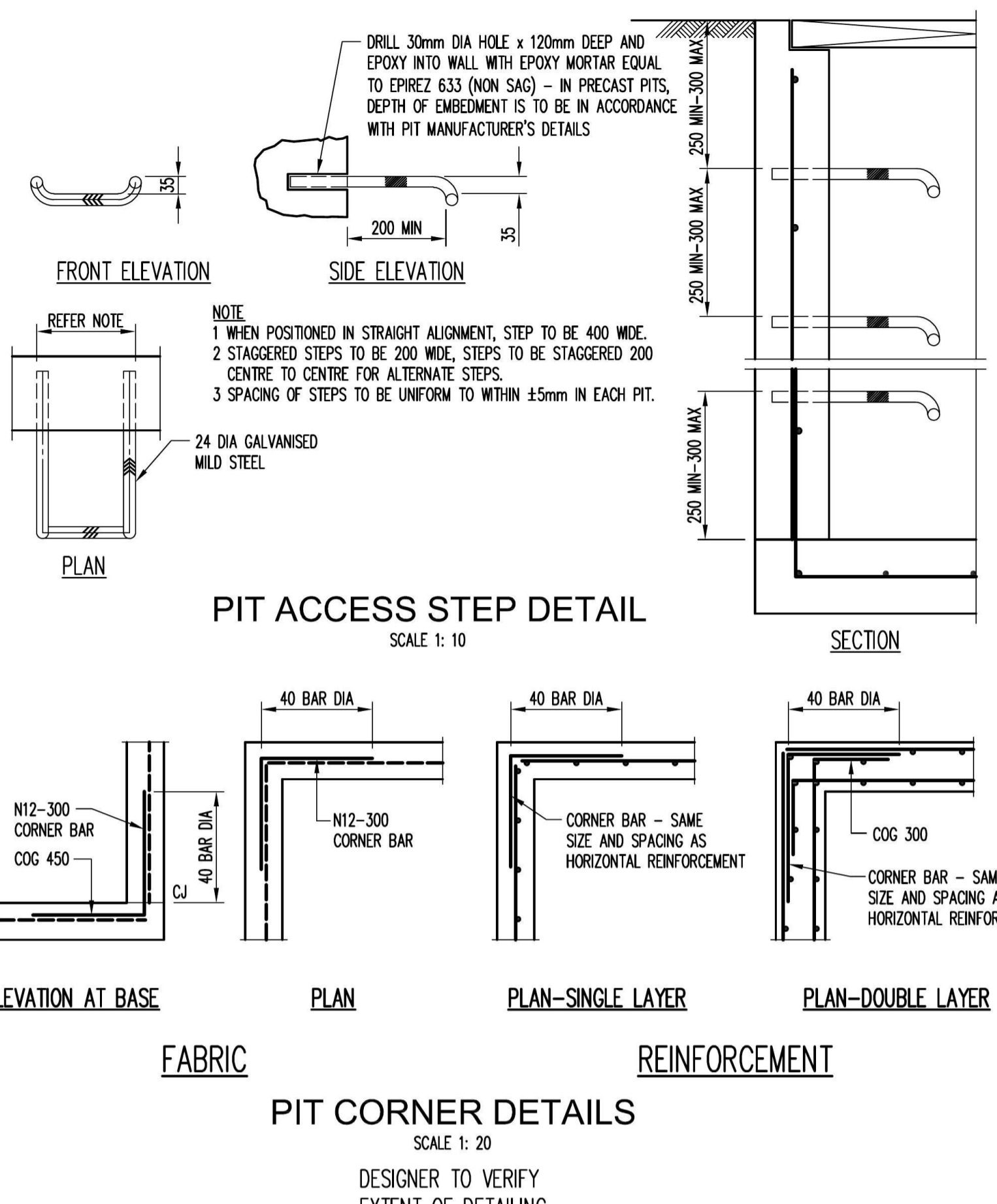
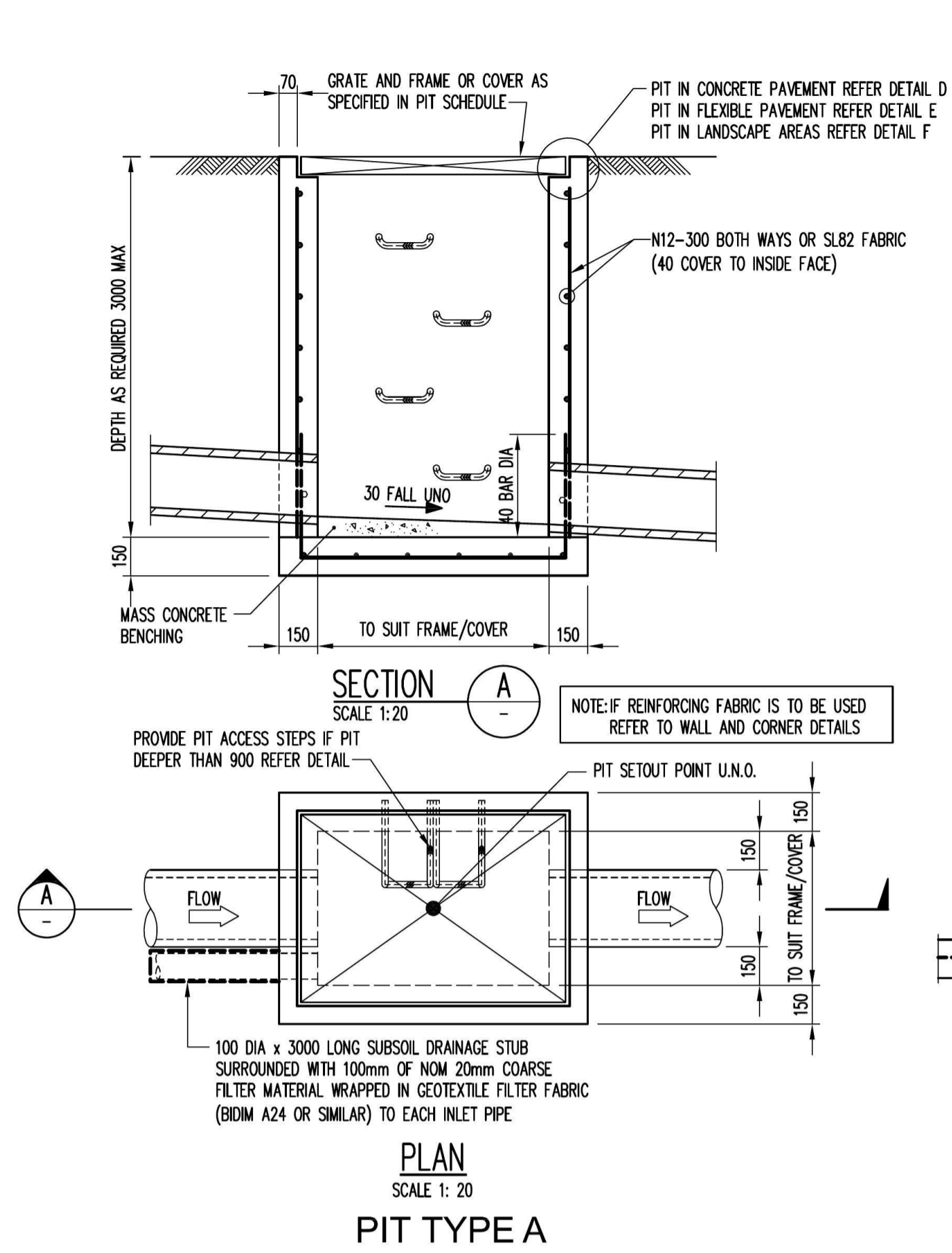
Architect  
**Morrison Design Partnership Architects**  
Level 3, Suite 302/ 69 Christie Street  
St Leonards NSW 2065  
Phone : (02) 9966 5566  
www.mdp.a.com.au

Civil Engineer  
**TTW Taylor Thomson Whitting**  
612 9439 7288 | 48 Chandos Street St Leonards NSW 2065

Project  
**EDINGLASSIE VILLAGE, EMU PLANS**

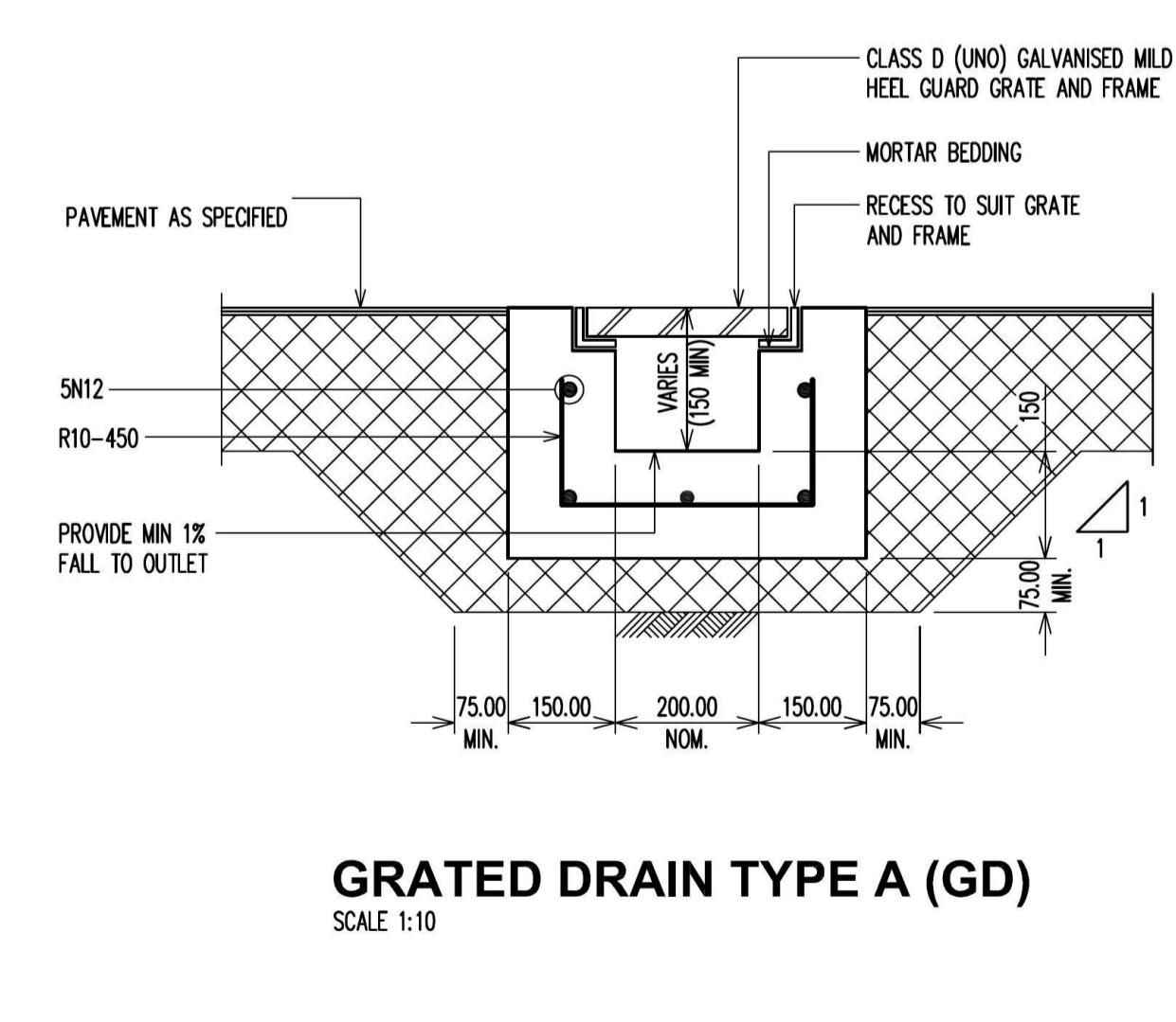
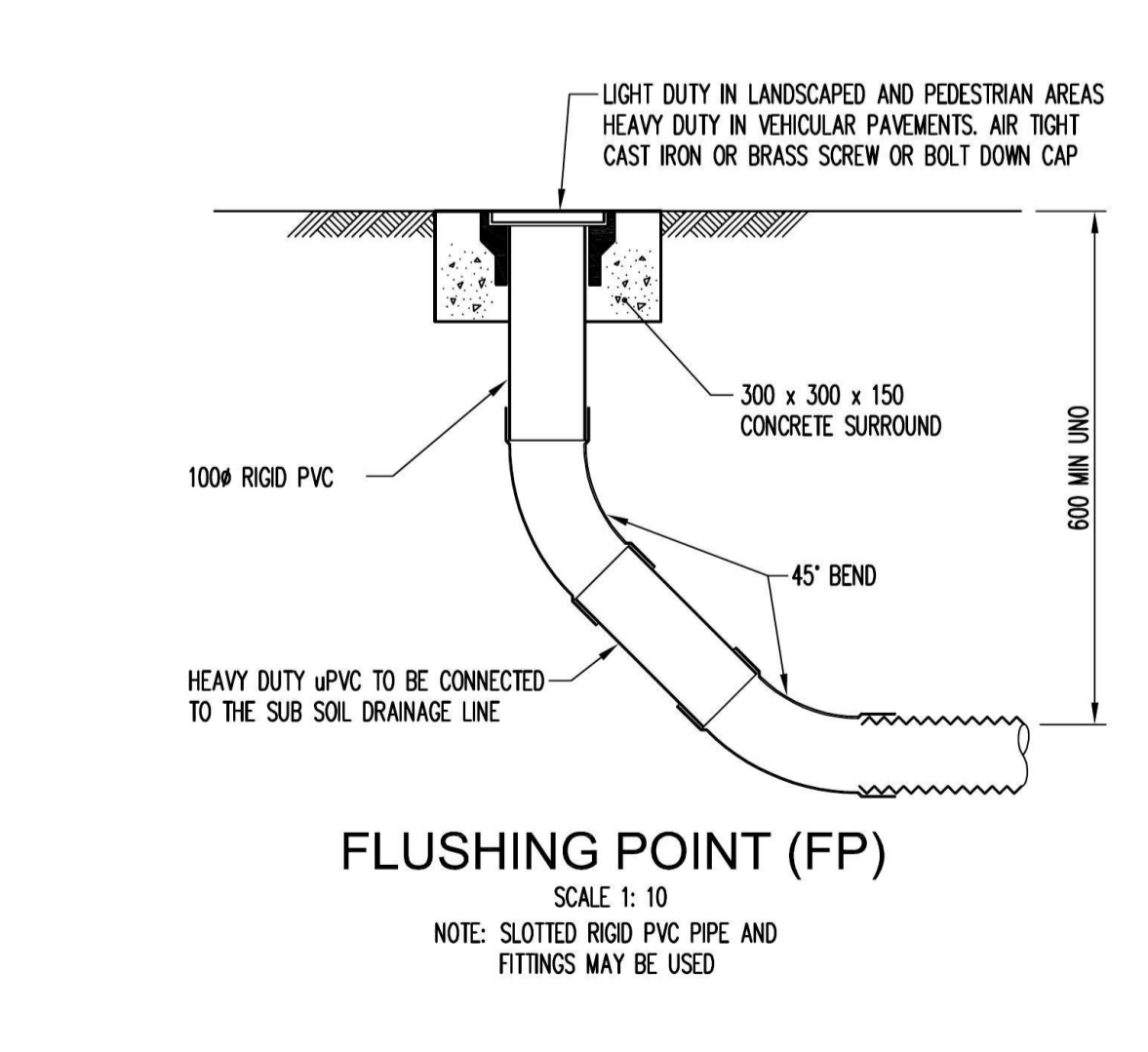
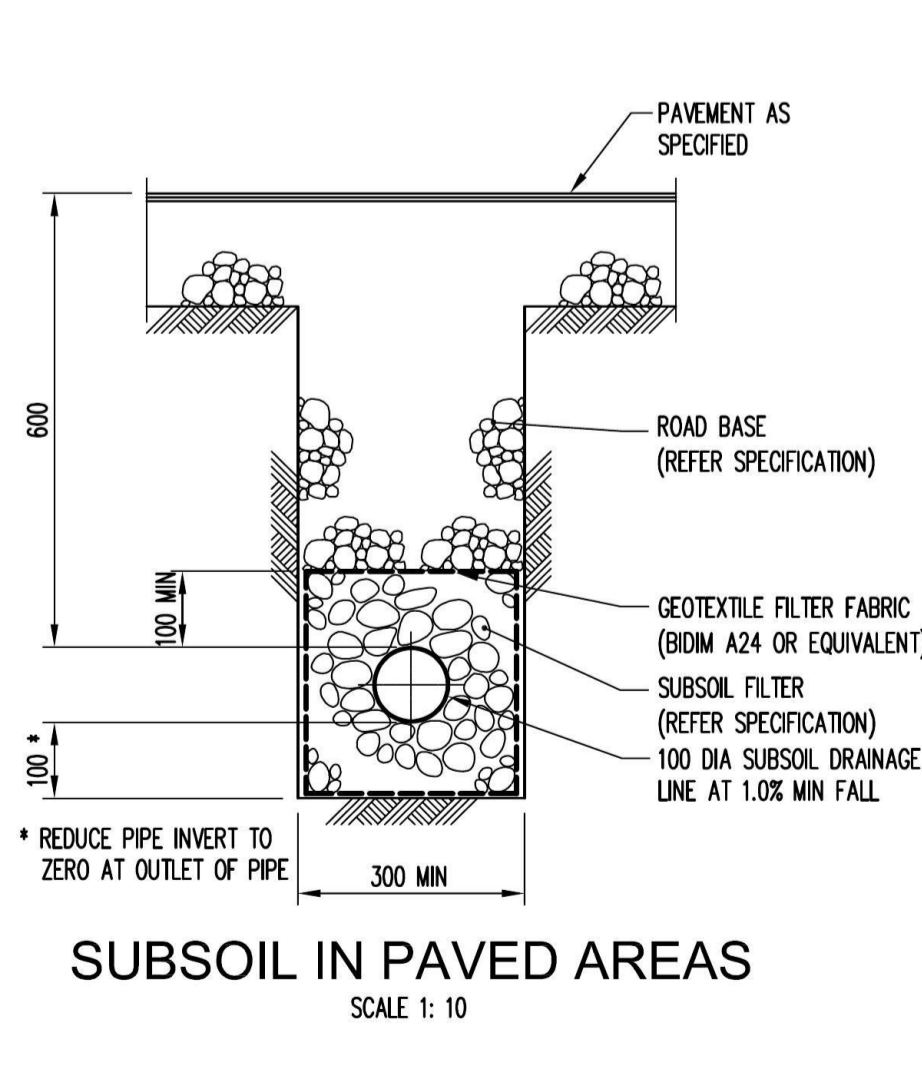
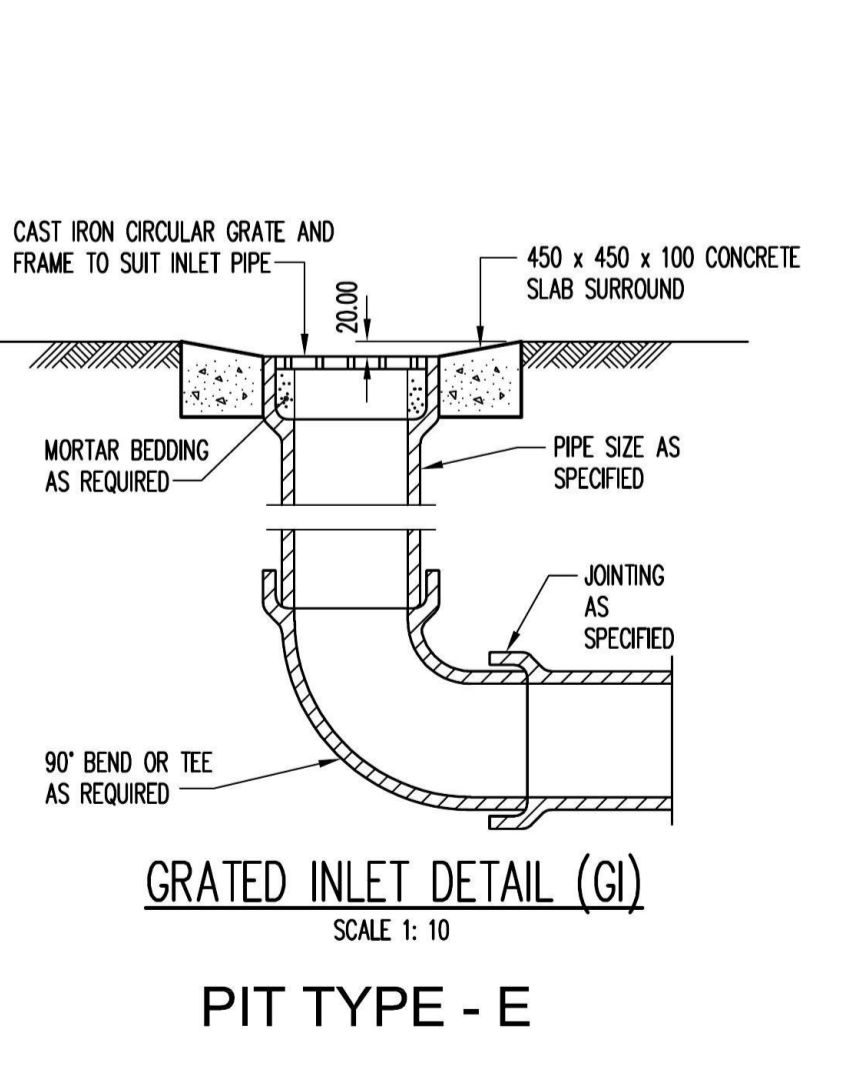
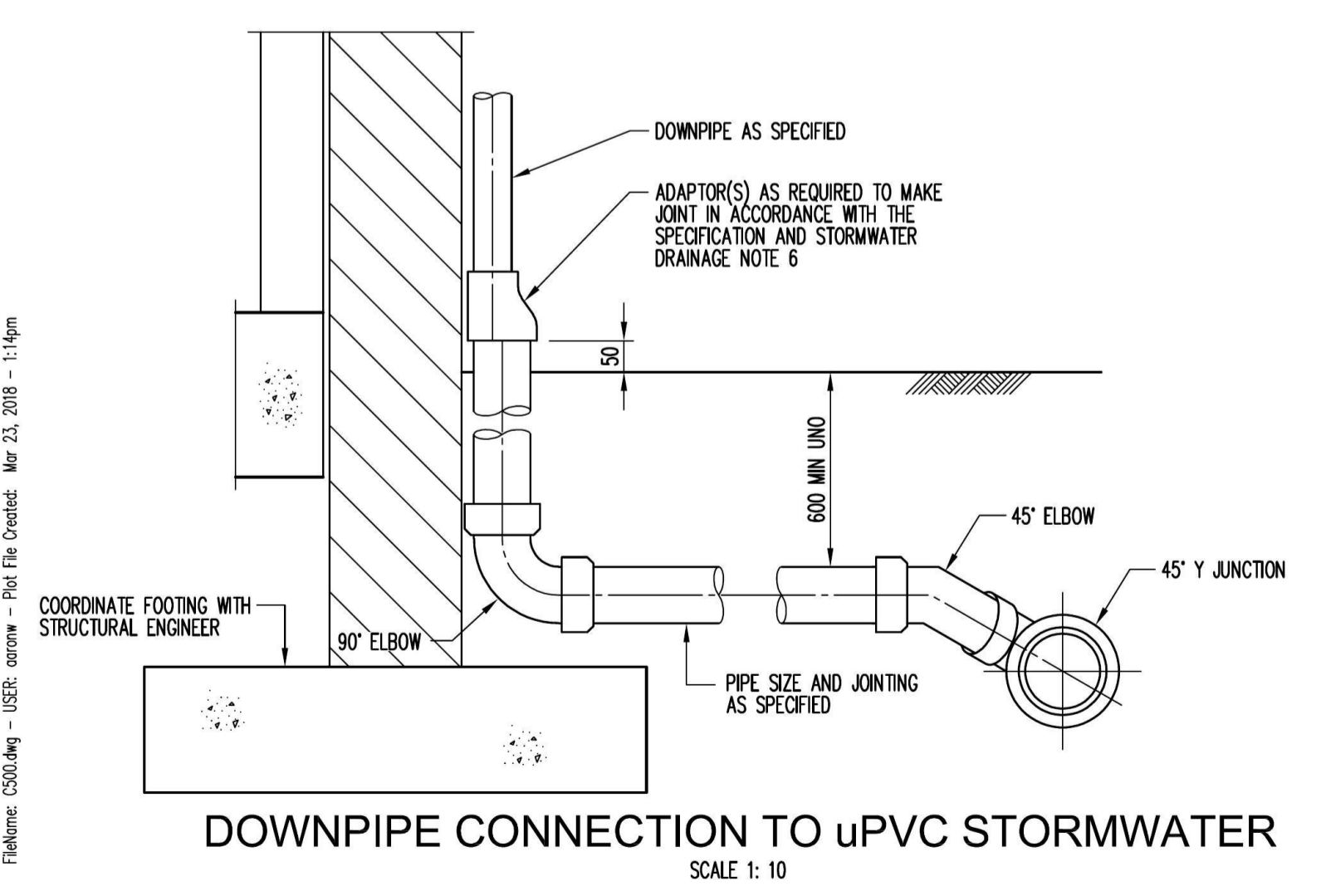
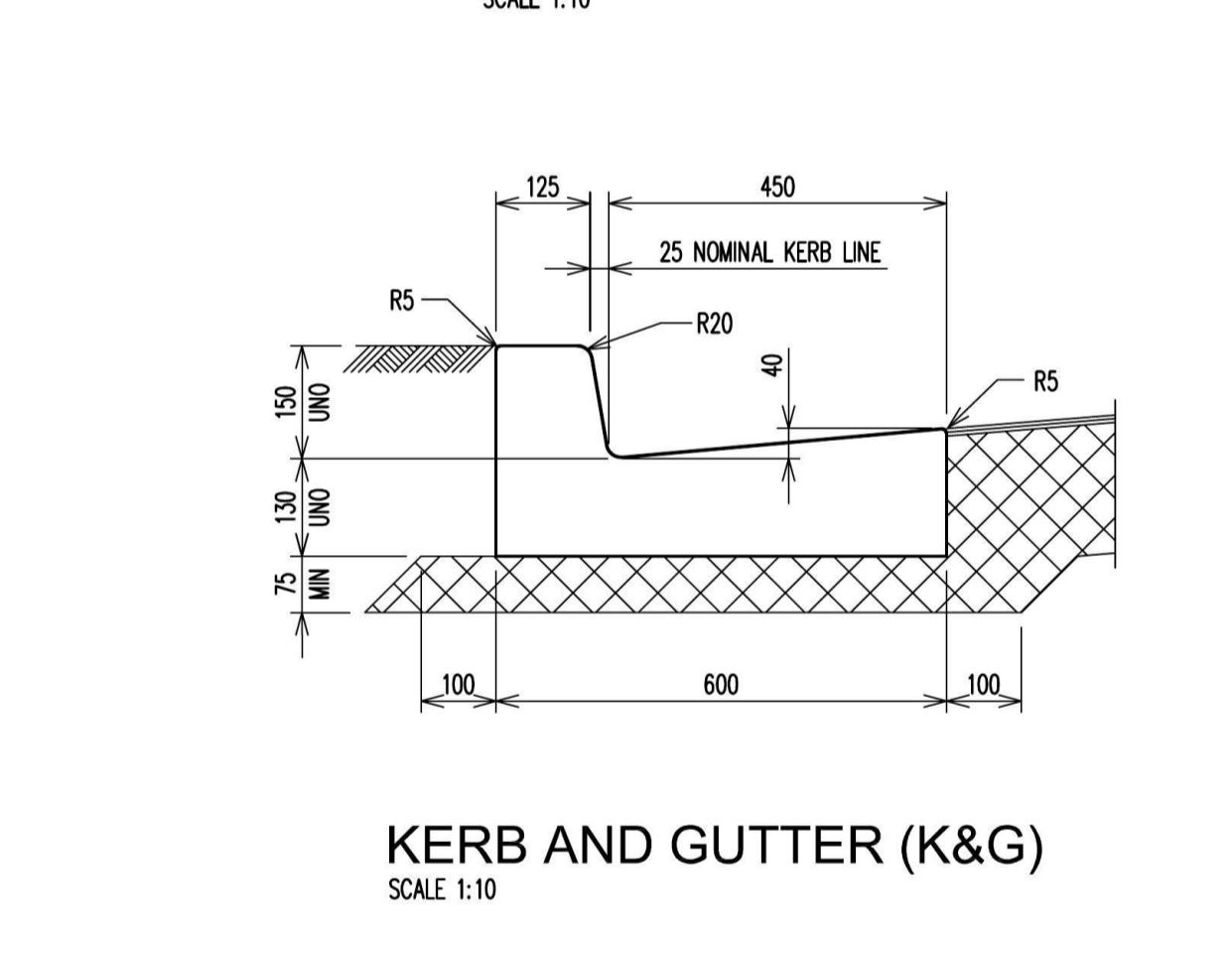
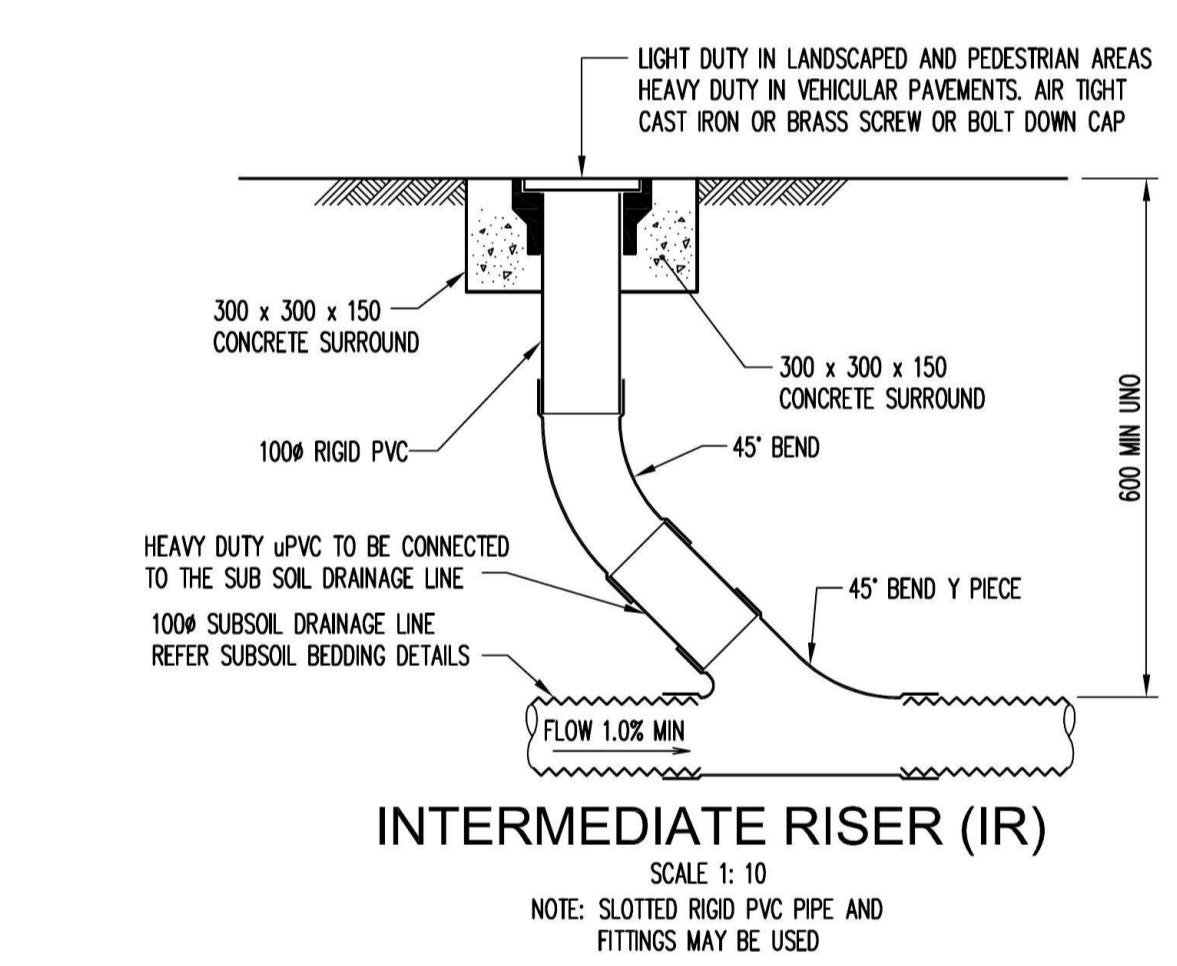
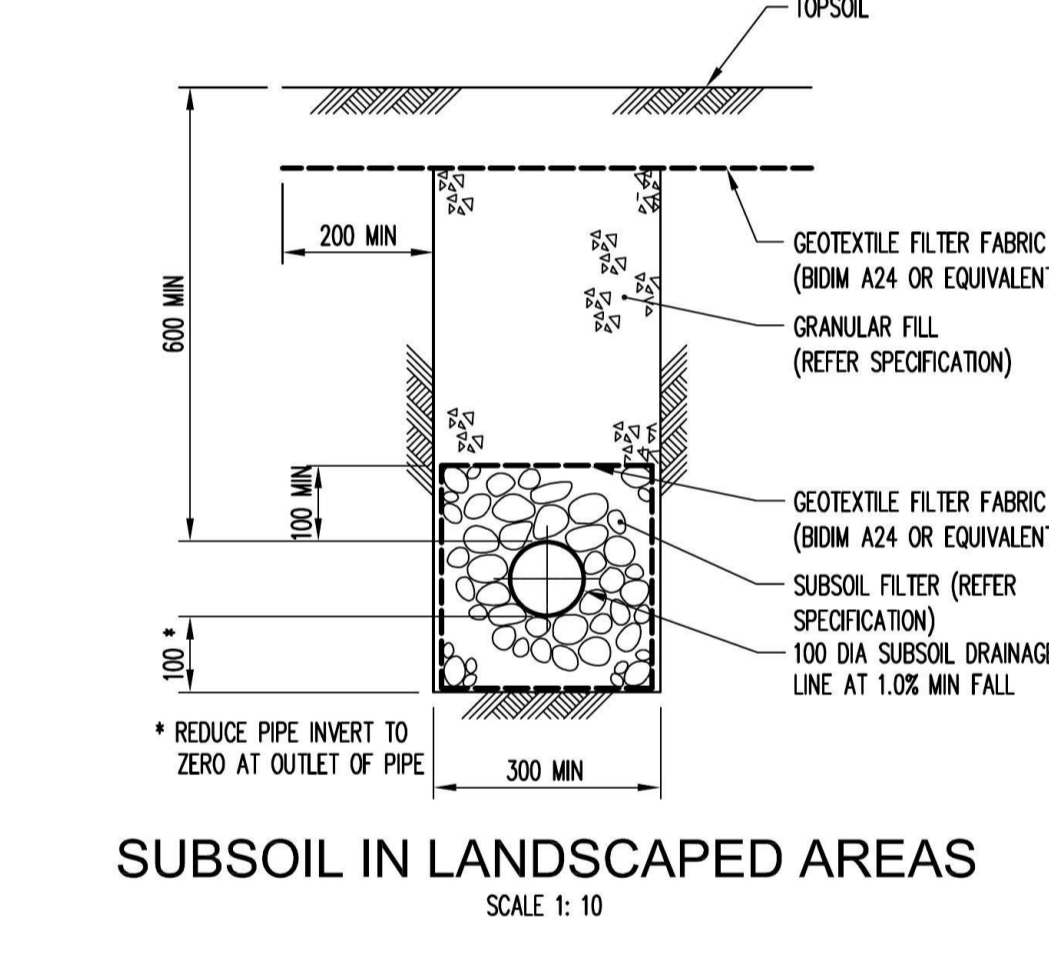
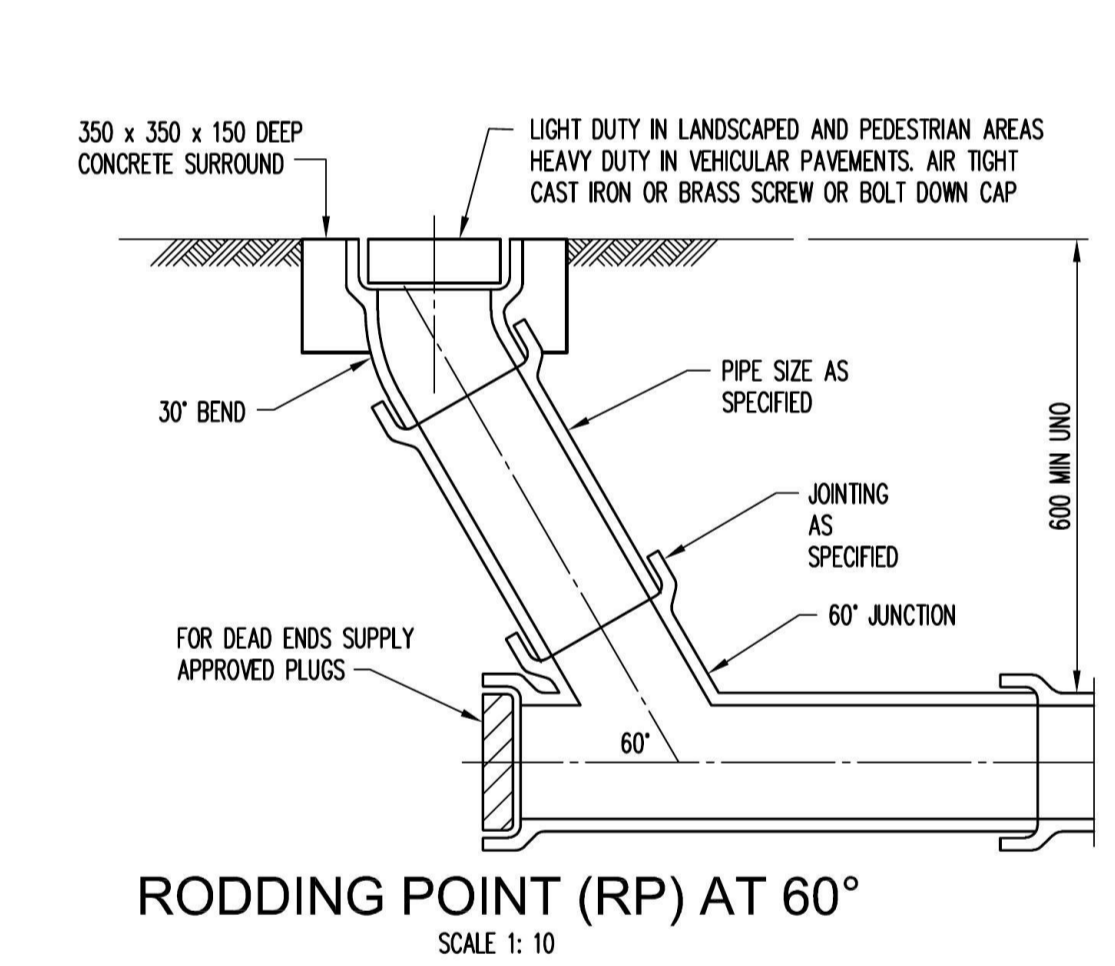
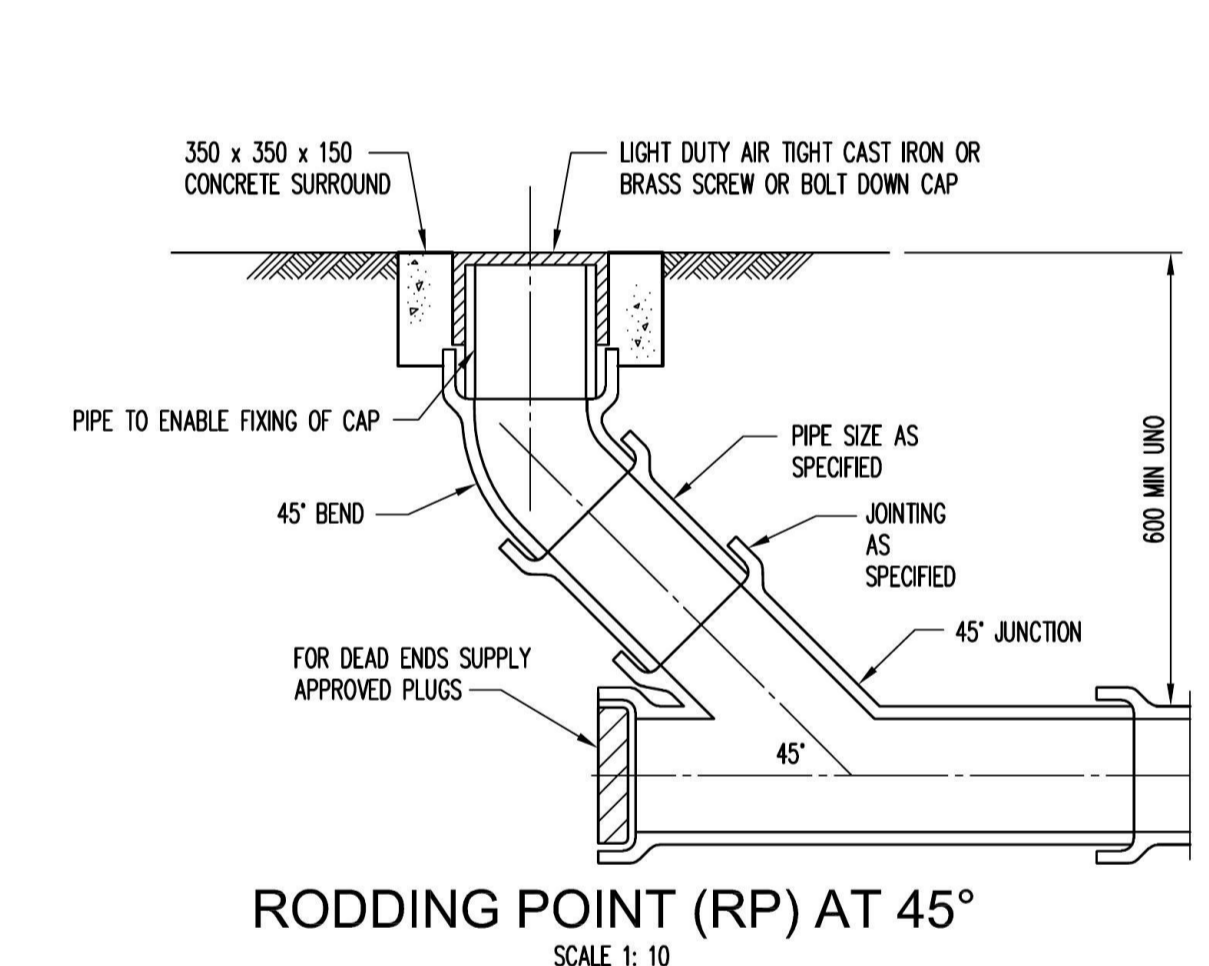
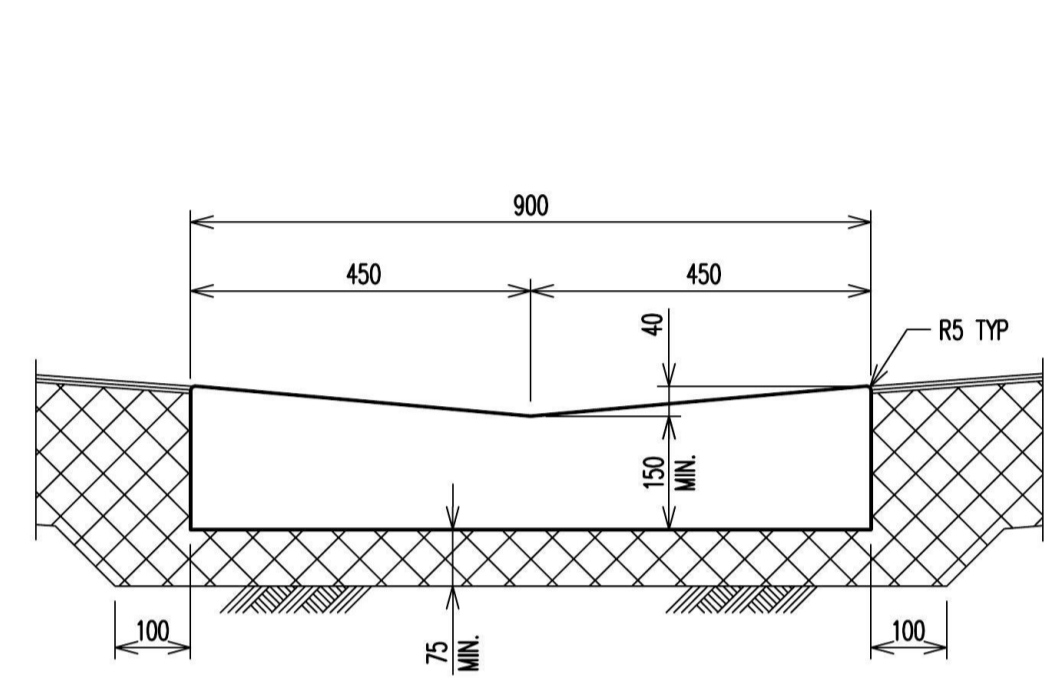
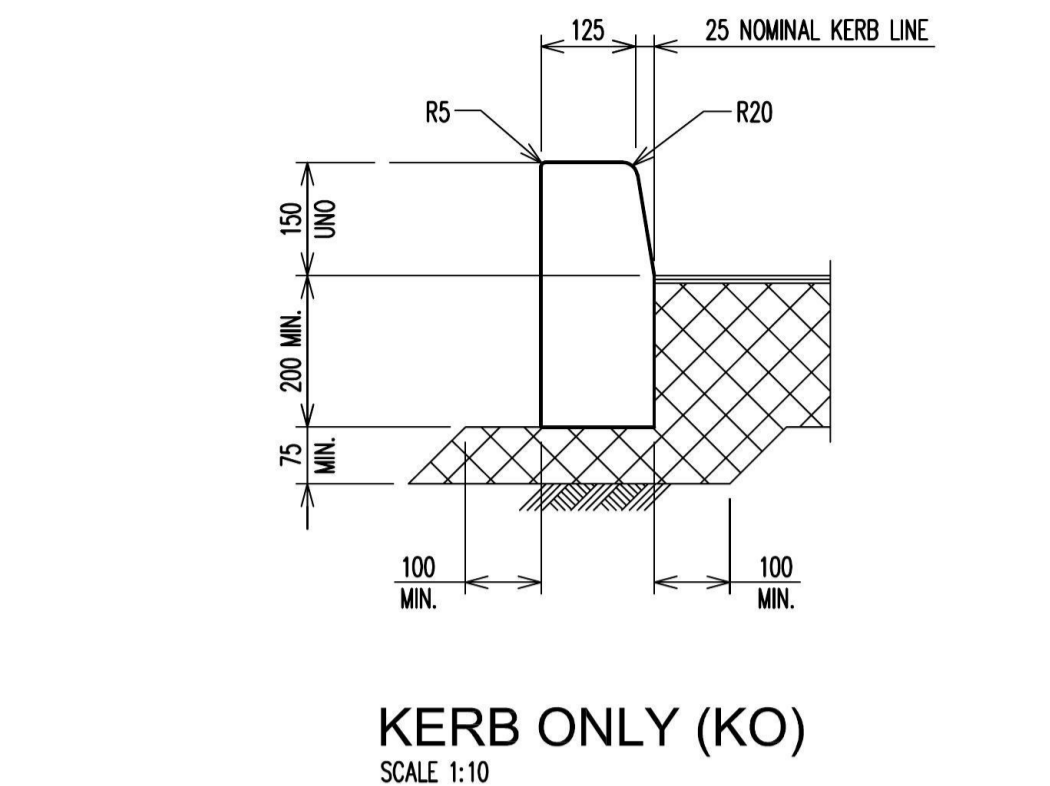
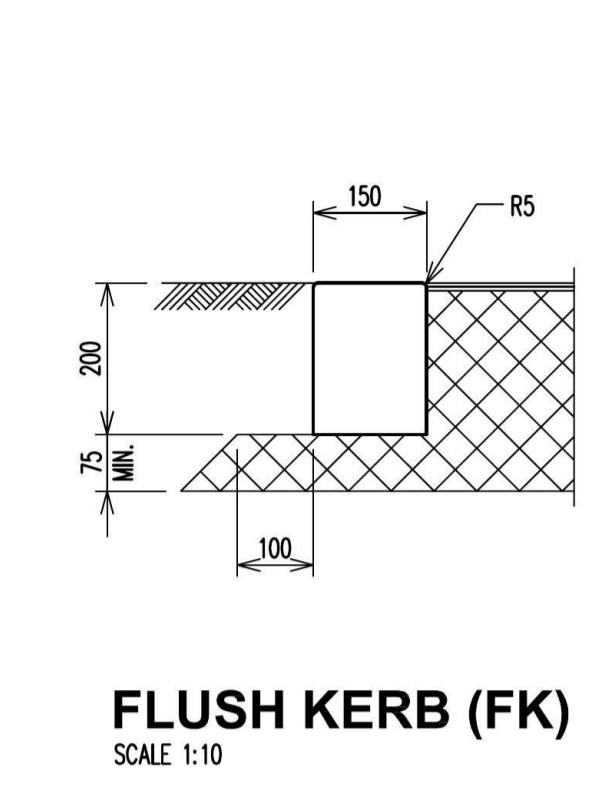
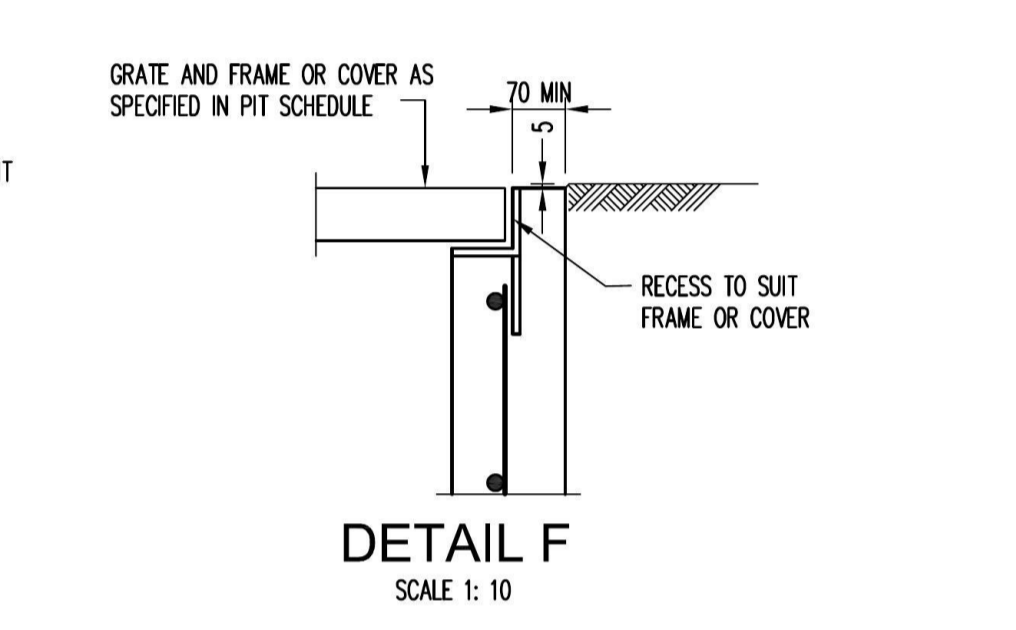
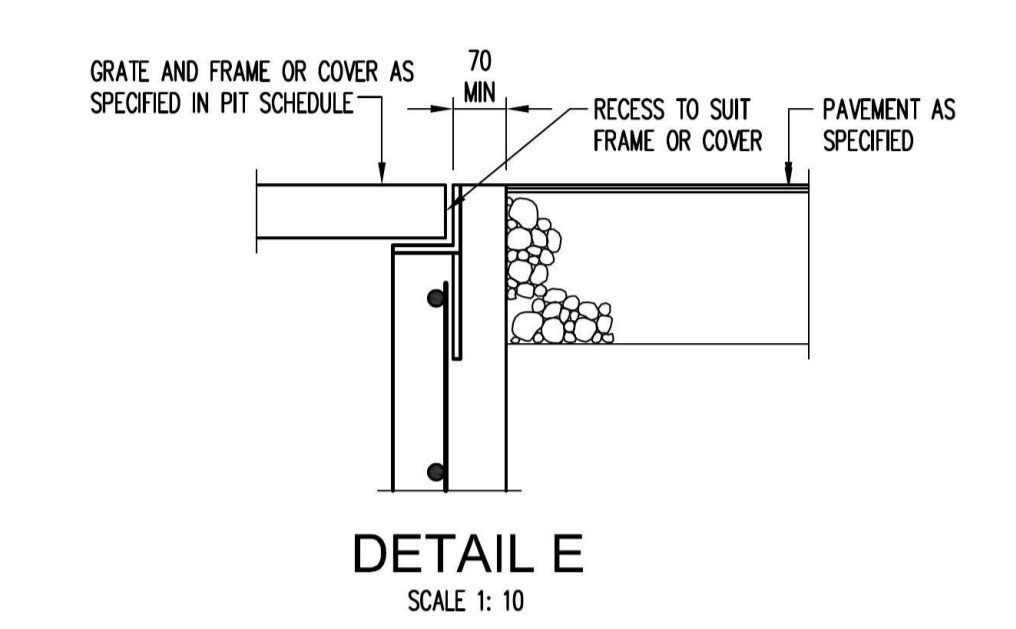
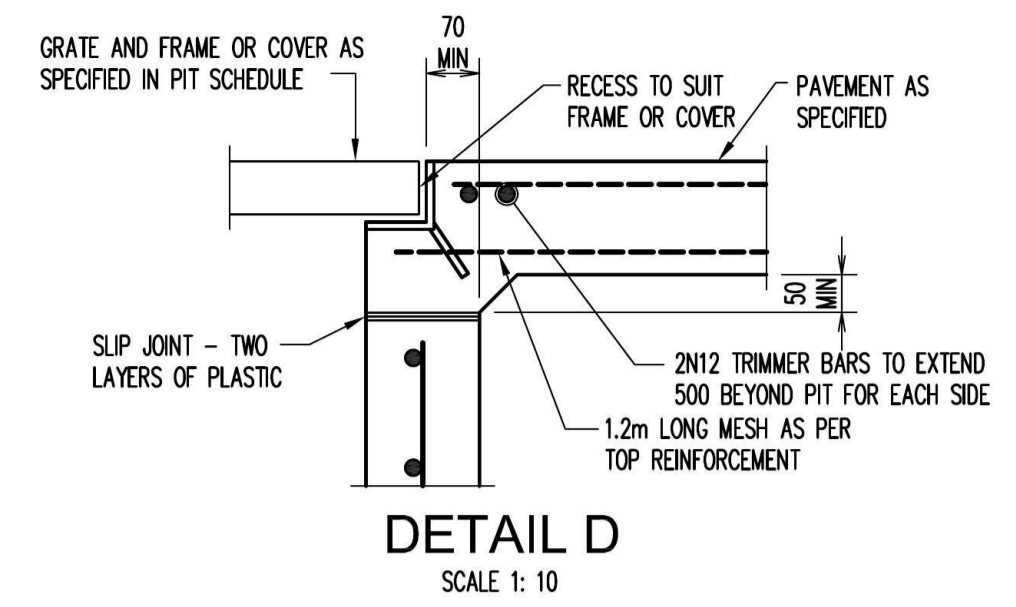
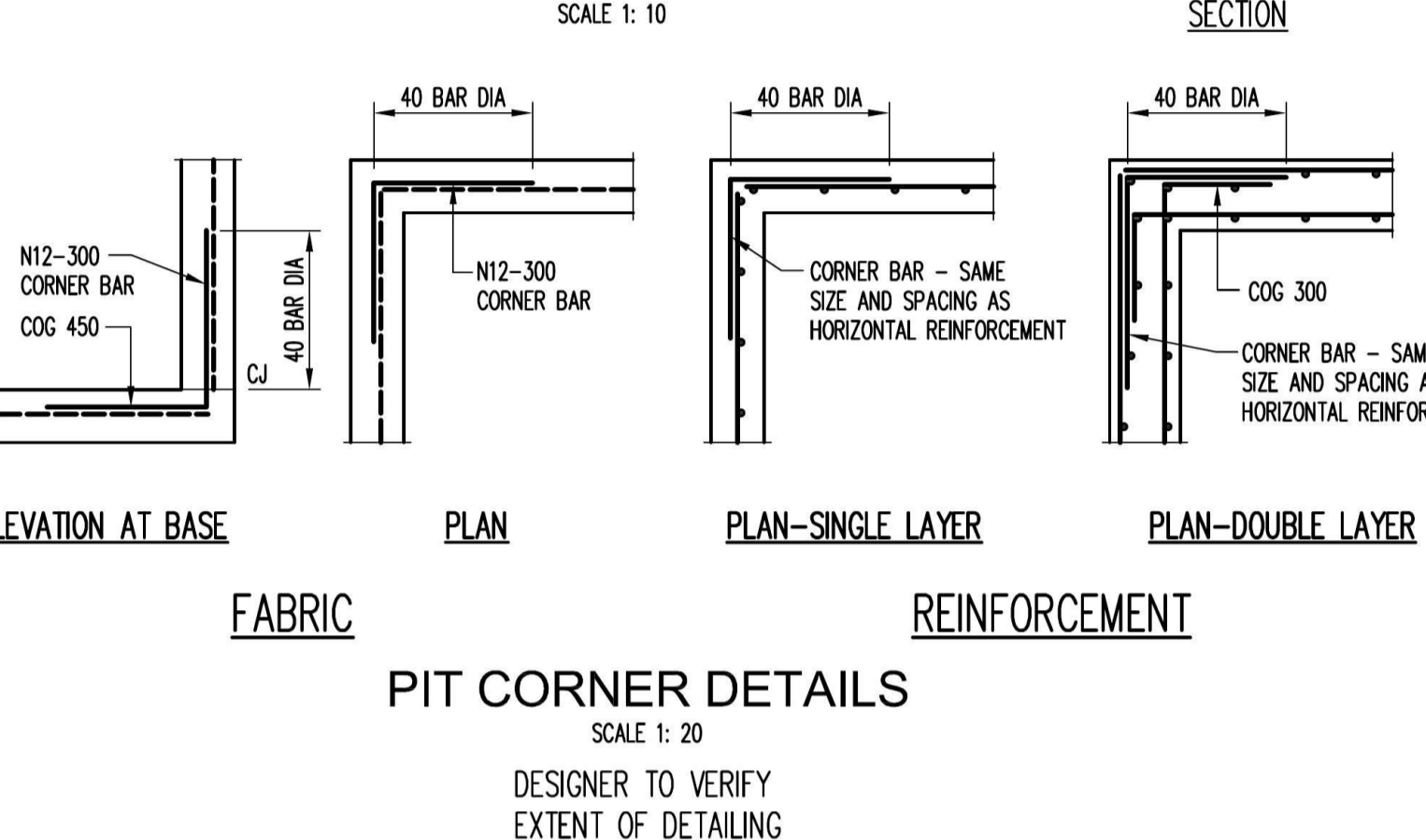
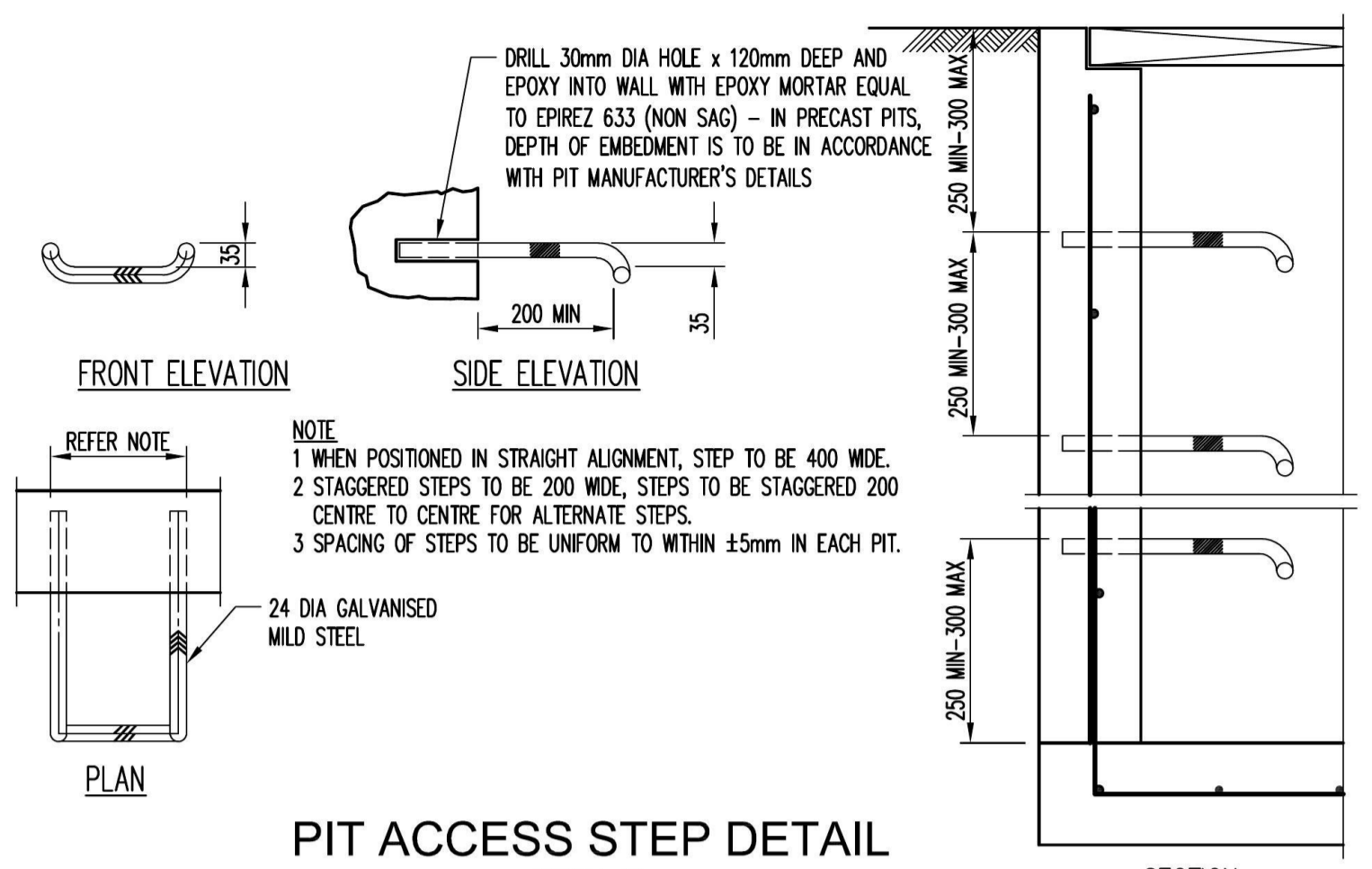
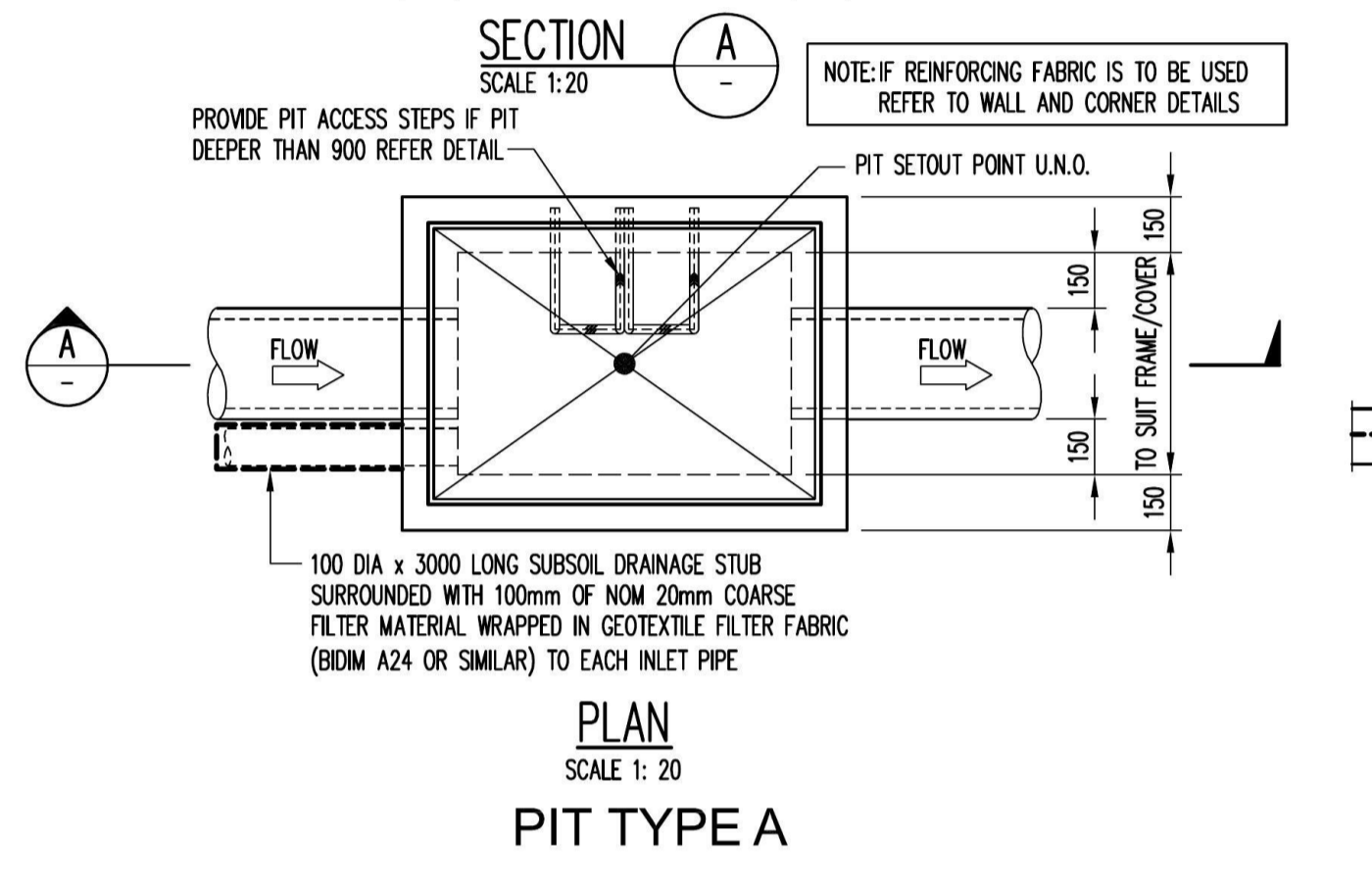
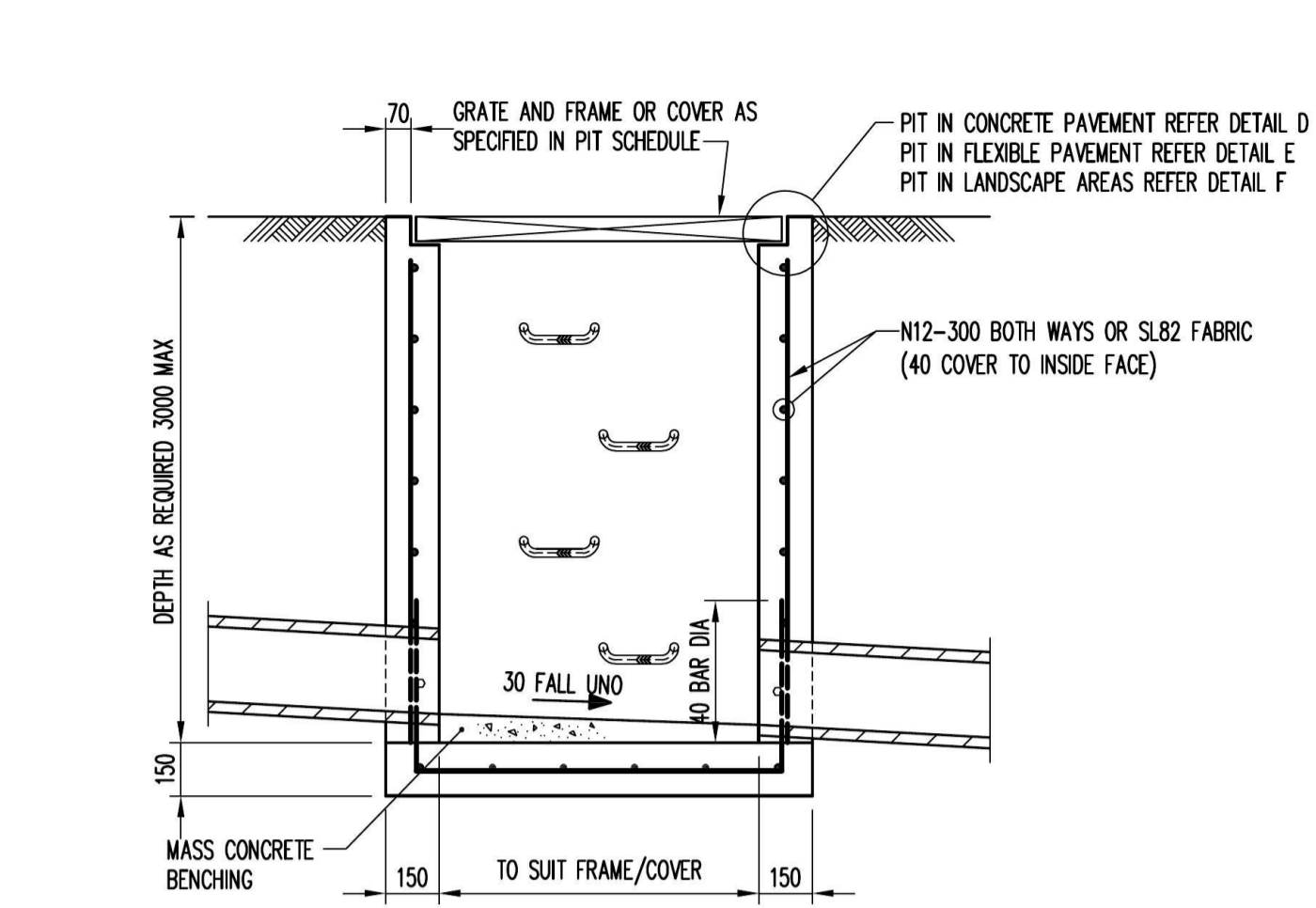
Sheet Subject  
**SITWORKS AND STORMWATER MANAGEMENT PLAN SHEET 2 OF 2**

Scale : A1 1:200	Drawn AW	Authorised
Job No 141456	Drawing No C201	Revision P1
Plot File Created: Mar 23, 2018 - 1:12pm		



Reference: C500.dwg - USER: c500 - Ref File Created: Mar 23, 2018 - 11:46am

Architect <b>Morrison Design Partnership Architects</b> Level 3, Suite 302/ 69 Christie Street St Leonards NSW 2065 Phone: (02) 9966 5566 www.mdp.com.au			Civil Engineer <b>TTW Taylor Thomson Whitting</b> 612 9439 7288   48 Chandos Street St Leonards NSW 2065			Project <b>EDINGLASSIE VILLAGE, EMU PLANS</b>			Sheet Subject <b>DETAILS SHEET</b>		
Scale: A1 AS SHOWN			Drawn AW			Authorised			Job No <b>141456</b>		
Rev Description P1 ISSUE FOR DA Eng Draft Date WW AW 23.03.18			Drawing No <b>C500</b>			Revision <b>P1</b>			Plot File Created: Mar 23, 2018 - 1:14pm		



Reference: C500.dwg - USER: c500 - Ref File Created: Mar 23, 2018 - 11:46am

Architect <b>Morrison Design Partnership Architects</b> Level 3, Suite 302/ 69 Christie Street St Leonards NSW 2065 Phone: (02) 9966 5566 www.mdpa.com.au			Civil Engineer <b>TTW Taylor Thomson Whitting</b> 612 9439 7288   48 Chandos Street St Leonards NSW 2065			Project <b>EDINGLASSIE VILLAGE, EMU PLANS</b>			Sheet Subject <b>DETAILS SHEET</b>		
Scale: A1 AS SHOWN			Drawn AW			Authorised			Job No <b>141456</b>		
Rev Description P1 ISSUE FOR DA Eng Draft Date WW AW 23.03.18			Drawing No <b>C500</b>			Revision <b>P1</b>			Plot File Created: Mar 23, 2018 - 1:14pm		