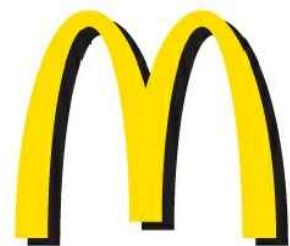

PROPOSED McDONALD'S RESTAURANT AT:

1-21 CRANEBROOK ROAD
CRANEBROOK
NSW 2749

STAGE:

DA ISSUE (PYLON SIGN)
AMENDMENT: A



McDonald's Australia Limited
ABN. 43 008 496 928
☎ 02 9875 6666
✉ devgroup-aust@au.mcd.com



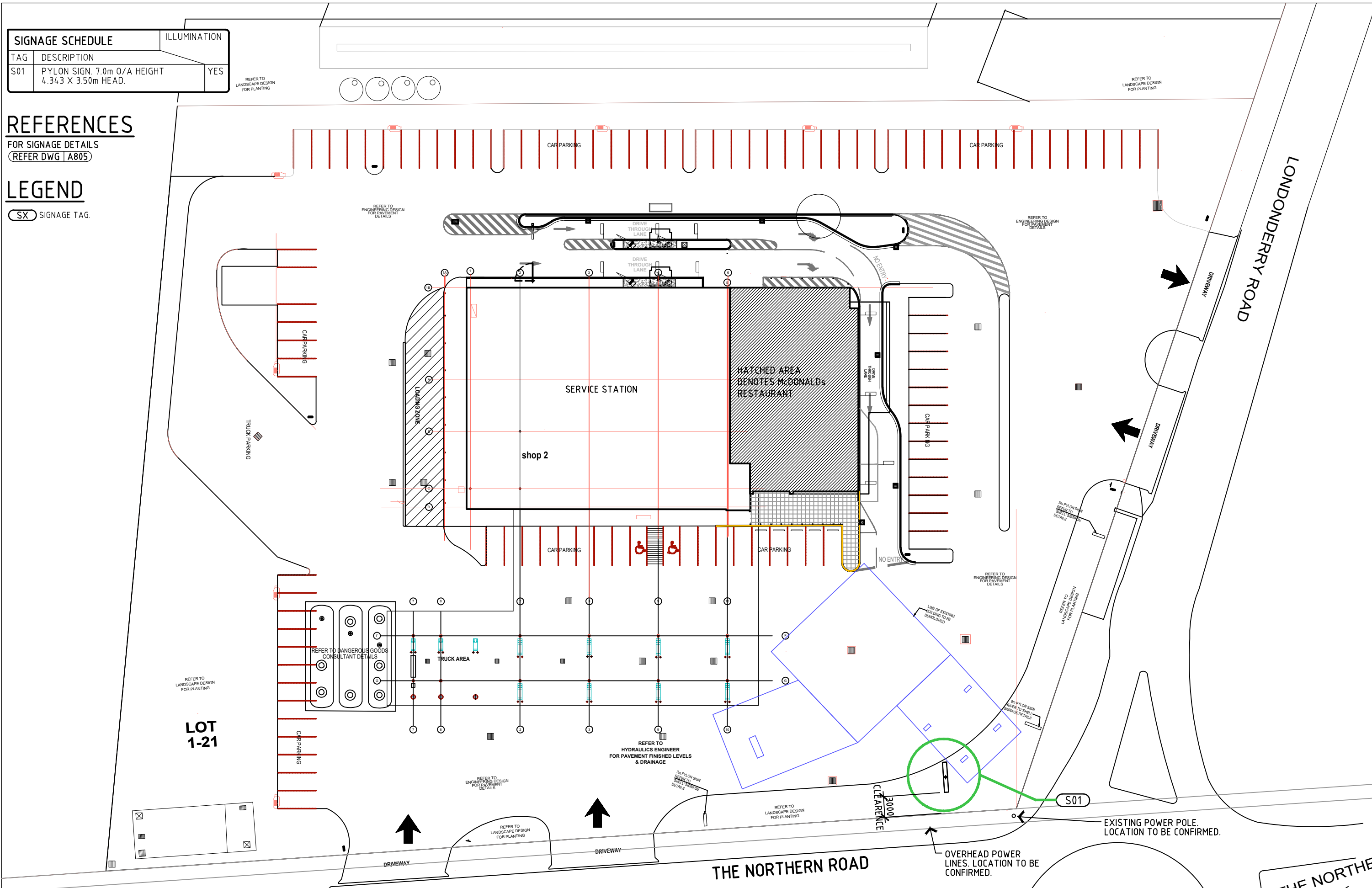
| SIGNAGE SCHEDULE | | ILLUMINATION |
|------------------|--|--------------|
| TAG | DESCRIPTION | YES |
| S01 | PYLON SIGN. 7.0m O/A HEIGHT 4.343 X 3.50m HEAD. | YES |

REFERENCES

FOR SIGNAGE DETAILS
(REFER DWG | A805)

LEGEND

(SX) SIGNAGE TAG.



| ISSUE | AMENDMENT | DATE | INT | NOTES |
|-------|-----------------------|------------|-----|---|
| A | DA ISSUE (PYLON SIGN) | 16.09.2019 | GM | <ol style="list-style-type: none"> DO NOT SCALE THIS DRAWING. THE DRAWING SHOWS DESIGN INTENT ONLY. ALL DIMENSIONS TO BE CHECKED ON SITE PRIOR TO CONSTRUCTION OR PRODUCTION. CONSTRUCTION DETAILS TO BE CONFIRMED BY CONTRACTOR / MANUFACTURER. THIS IS A COMPUTER GENERATED DRAWING. DO NOT AMEND BY HAND. |

| |
|---|
| <ol style="list-style-type: none"> FIGURE DIMENSIONS ARE TO BE USED. CONTACT ARCHITECT FOR CLARIFICATION IF DIMENSIONS ARE NOT CLEAR. ALL DISCREPANCIES AND OMISSIONS ON SITE MUST BE REPORTED TO THE ARCHITECT FOR THEIR COMMENTS OR APPROVAL PRIOR TO COMMENCING WORK. ALL DIMENSIONS ARE IN MILLIMETERS |
|---|

Richmond+Ross PTY LIMITED
CONSULTING ENGINEERS AND PROJECT LEADERS
ABN 34 001 485 436
38 WILLOUGHBY ROAD, CROWS NEST, NSW 2065
TEL : (02) 9490 9600 FAX : (02) 9438 1224

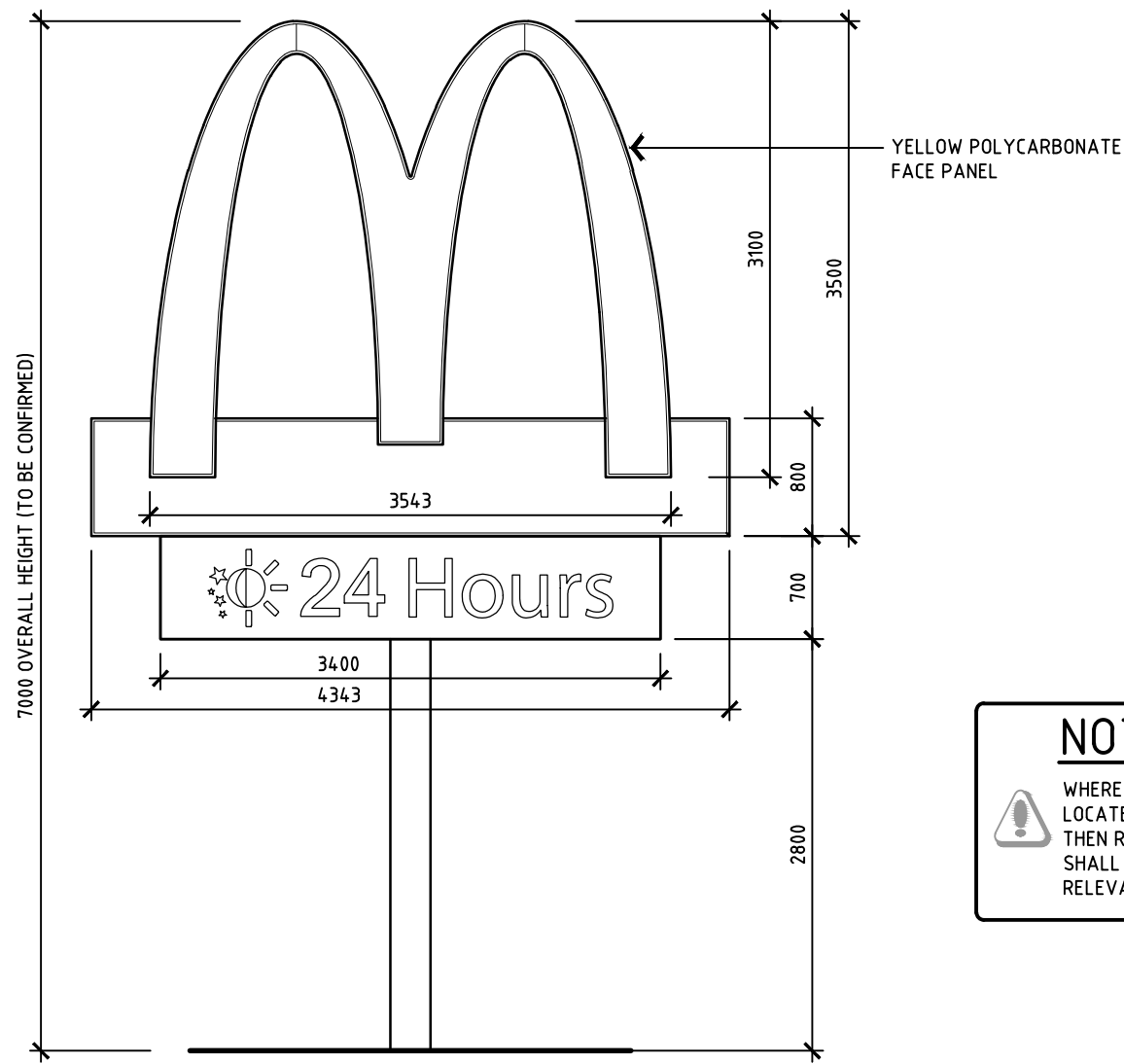
| BUILDING OPTIONS |
|------------------|
| |

McDonald's Australia Limited
ABN: 43 008 496 928
02 9875 6666
devgroup-aust@au.mcd.com

NDGI
NATIONAL DEVELOPMENT GROUP

STATUS: DA ISSUE (PYLON SIGN) DATE: MAY 2019
SERIES: UNMODIFIED MASTER DRAWING
REF: PROJECT SPECIFIC DRAWING
© 2018 McDonald's

| PROJECT: | | REF: 180319 |
|--|---------|-------------|
| PROPOSED McDonalds RESTAURANT (TIU) AT 1-21 CRANEBROOK RD, CRANEBROOK NSW 2749 | | |
| TITLE: SIGNAGE PLAN | | |
| DRAWN | CHECKED | SCALE |
| GM | SH | 1:500 |
| DWG. NO. | REV. | |
| A801 | A | |



NOTE
 WHERE SIGNS OR FLAGPOLES ARE LOCATED NEAR TO POWERLINES THEN REQUIRED CLEARANCES SHALL BE CONFIRMED WITH THE RELEVANT AUTHORITIES.

S01
 A801 **PYLON SIGN**

| ISSUE | AMENDMENT | DATE | INT | NOTES | BUILDING OPTIONS | STATUS | DA ISSUE (PYLON SIGN) | DATE | TITLE | PROJECT | REF | | |
|-------|-----------------------|------------|-----|---|---|---|--|-------------------------------------|--|-------------|-------------|----------|------|
| A | DA ISSUE (PYLON SIGN) | 16.09.2019 | GM | 1. DO NOT SCALE THIS DRAWING. 2. THE DRAWING SHOWS DESIGN INTENT ONLY. ALL DIMENSIONS TO BE CHECKED ON SITE PRIOR TO CONSTRUCTION OR PRODUCTION. CONSTRUCTION DETAILS TO BE CONFIRMED BY CONTRACTOR /MANUFACTURER. 3. THIS IS A COMPUTER GENERATED DRAWING. DO NOT AMEND BY HAND. 4. FIGURE DIMENSIONS ARE TO BE USED. CONTACT ARCHITECT FOR CLARIFICATION IF DIMENSIONS ARE NOT CLEAR. 5. ALL DISCREPANCIES AND OMISSIONS ON SITE MUST BE REPORTED TO THE ARCHITECT FOR THEIR COMMENTS OR APPROVAL PRIOR TO COMMENCING WORK. 6. ALL DIMENSIONS ARE IN MILLIMETERS | Richmond+Ross PTY LIMITED CONSULTING ENGINEERS AND PROJECT LEADERS ABN 34 001 485 436 38 WILLOUGHBY ROAD, CROWS NEST, NSW 2065 TEL : (02) 9490 9600 FAX : (02) 9438 1224 | <small>McDonald's Australia Limited ABN: 43 008 496 928 02 9875 6666 devgroup-aust@au.mcd.com</small> NATIONAL DEVELOPMENT GROUP | UNMODIFIED MASTER DRAWING <input checked="" type="checkbox"/> PROJECT SPECIFIC DRAWING © 2018 McDonald's | MAY 2019 TITLE : SIGNAGE DETAILS | PROPOSED McDONALDS RESTAURANT (TIU) AT 1-21 CRANEBROOK RD, CRANEBROOK NSW 2749 | REF: 180319 | | | |
| | | | | | | SERIES | REF. | | DRAWN | CHECKED | SCALE | DWG. NO. | REV. |
| | | | | | | | 01 | | GM | SH | 1:50 U.N.O. | A805 | A |