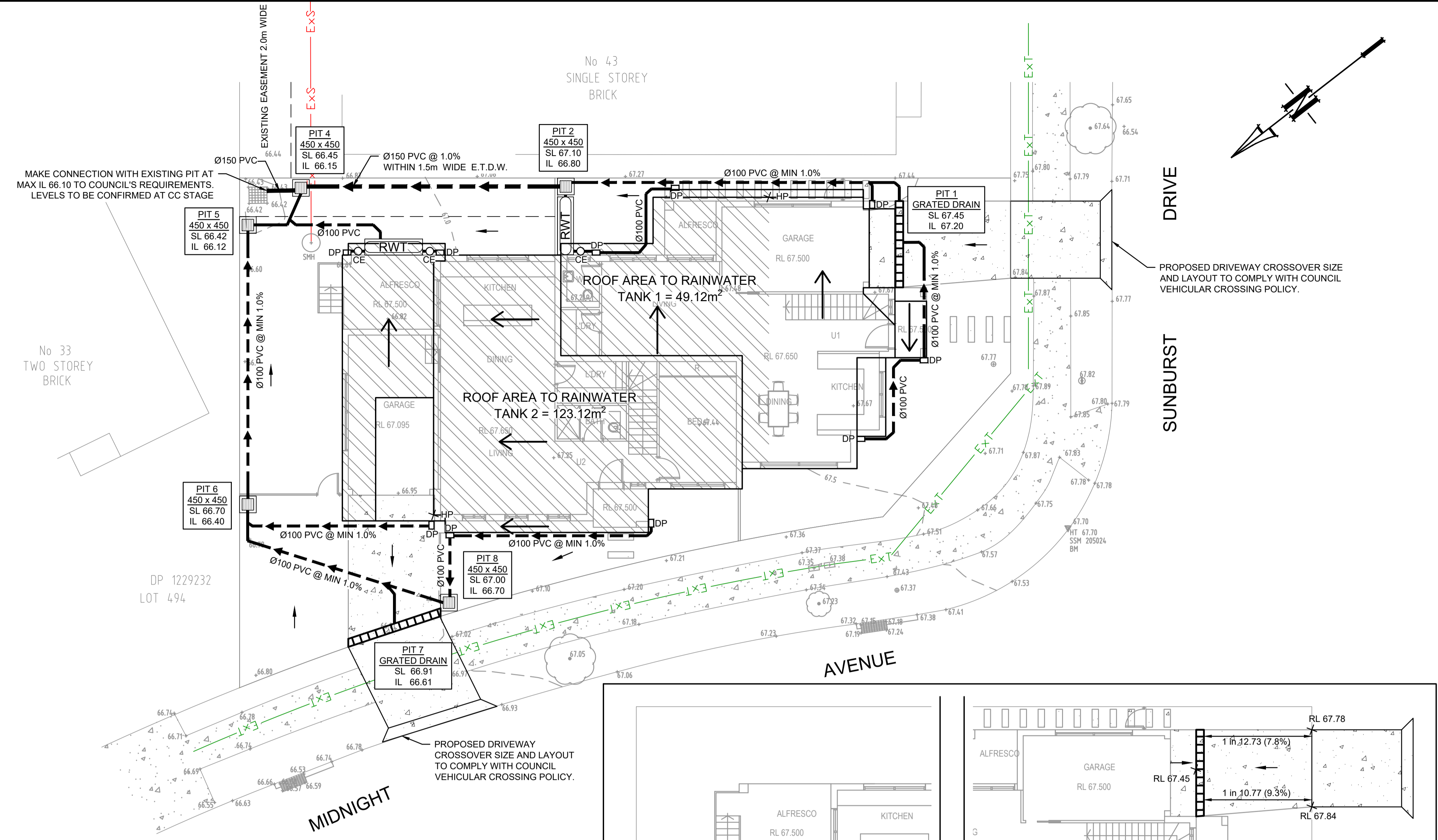


LEGEND

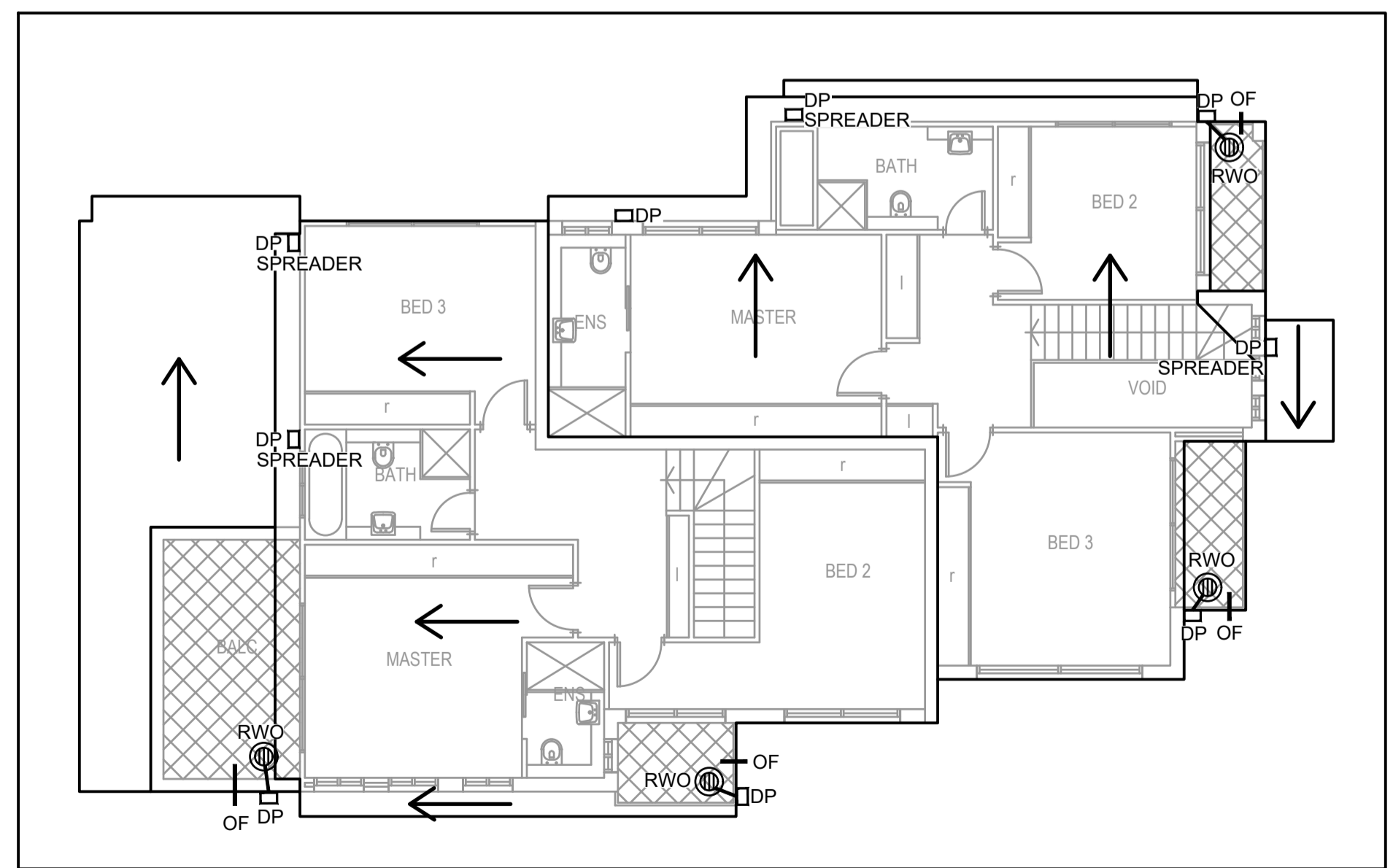
- PROPOSED STORMWATER
- DP GUTTER DOWNPIPE
- HP ROOF GUTTER HIGH POINT
- ROOF SLOPE
- RWO RAINWATER OUTLET
- CE Ø300 CLEANING EYE
- RWT RAINWATER TANK
- SURFACE FLOW ARROWS
- RL 47.00 DESIGN SURFACE LEVEL
- NS 26.45 EXISTING SURFACE LEVEL
- ROOF AREA TO RAINWATER TANK
- TILED AREA
- TREES TO BE RETAINED
- TREES TO BE REMOVED

GENERAL NOTES

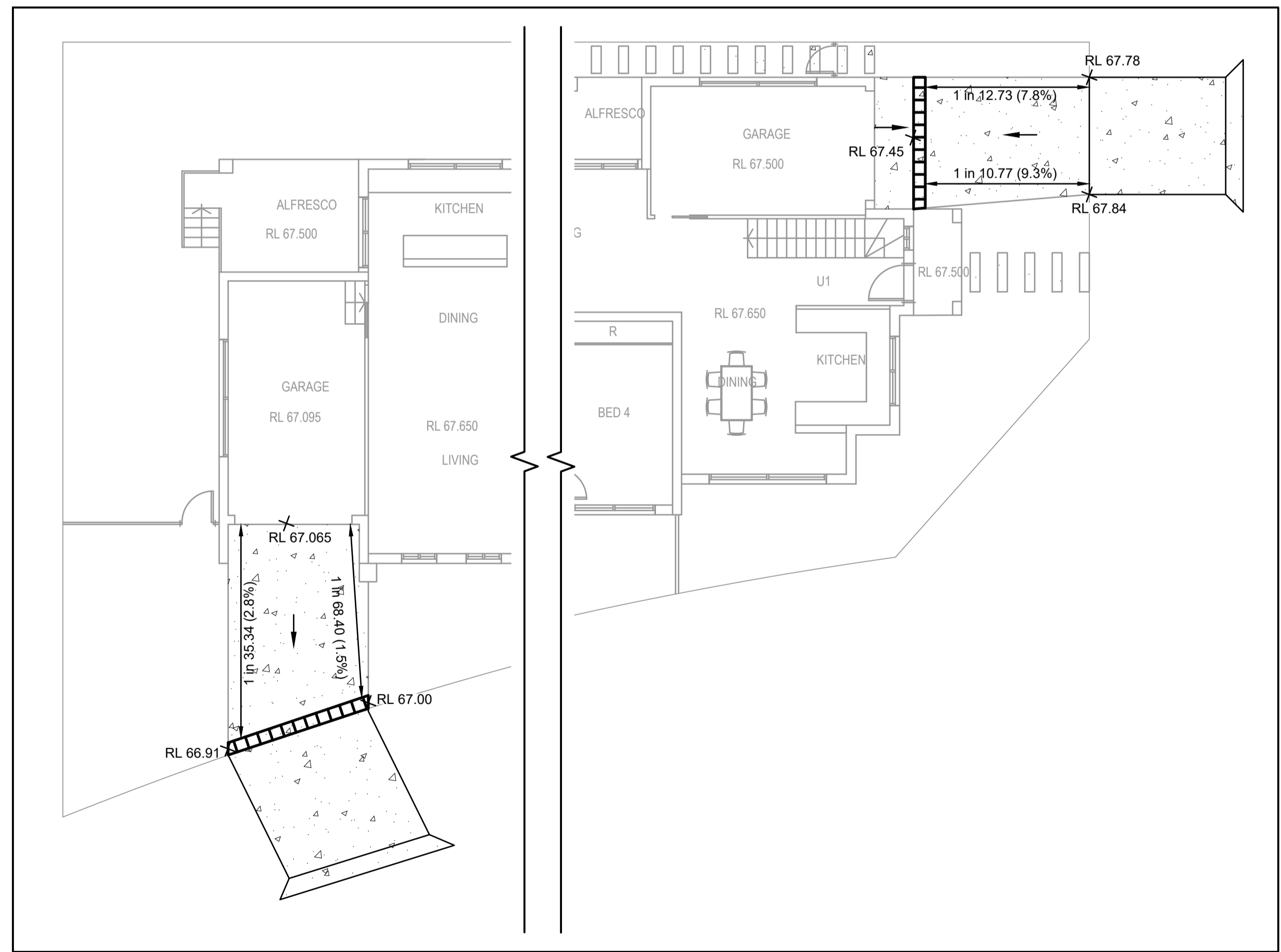
1. ALL LINES ARE TO BE Ø90 uPVC 1.0% GRADE UNLESS NOTED OTHERWISE. CHARGED LINES TO BE SEWERGRADE & SEALED.
2. EXISTING SERVICES LOCATIONS SHOWN INDICATIVE ONLY. IT IS THE CONTRACTOR'S RESPONSIBILITY TO LOCATE & LEVEL ALL EXISTING SERVICES PRIOR TO THE COMMENCEMENT OF ANY EARTHWORKS.
3. ALL PIPES TO HAVE MIN 150mm COVER IF LOCATED WITHIN PROPERTY.
4. ALL PITS IN DRIVEWAYS TO BE 450x450 CONCRETE AND ALL PITS IN LANDSCAPED AREAS TO BE 450x450 PLASTIC.
5. PITS LESS THAN 600mm DEEP MAY BE BRICK, PRECAST OR CONCRETE.
6. ALL BALCONIES AND ROOFS TO BE DRAINED AND TO HAVE SAFETY OVERFLOWS IN ACCORDANCE WITH RELEVANT AUSTRALIAN STANDARDS.
7. ALL EXTERNAL SLABS TO BE WATERPROOFED.
8. ALL GRATES TO HAVE CHILD PROOF LOCKS.
9. ALL DRAINAGE WORKS TO AVOID TREE ROOTS.
10. ALL DPs TO HAVE LEAF GUARDS.
11. ALL EXISTING LEVELS TO BE CONFIRMED BY BUILDER PRIOR TO CONSTRUCTION.
12. ALL WORK WITHIN COUNCIL RESERVE TO BE INSPECTED BY COUNCIL PRIOR TO CONSTRUCTION.
13. COUNCIL'S ISSUED FOOTWAY DESIGN LEVELS TO BE INCORPORATED INTO THE FINISHED LEVELS ONCE ISSUED BY COUNCIL.
14. ALL WORK SHALL BE IN ACCORDANCE WITH B.C.A. AND A.S.3500.3.
15. REFER TO LANDSCAPE ARCHITECT'S DRAWINGS FOR LANDSCAPING.
16. CARE TO BE TAKEN AROUND EXISTING SEWER. STRUCTURAL ADVICE IS REQUIRED FOR SEWER PROTECTION AGAINST ADDITIONAL LOADING FROM NEW PITS, PIPES, RETAINING WALLS AND OSD BASIN WATER LEVELS.
17. ALL PIPES IN BALCONIES TO BE Ø65 uPVC CAST IN CONCRETE SLAB. CONTRACTOR TO PROVIDE A BREAK / OPEN VOID IN RAIL / BALUSTRADE FOR STORMWATER EMERGENCY OVERFLOW. ALL ENCLOSED AREAS/PLANTER BOXES TO BE FITTED WITH FLOOR WASTES & DRAINED TO OSD DOWNPIPES TO BE CHECKED BY ARCHITECT & PLUMBER PRIOR TO CONSTRUCTION.



GROUND FLOOR PLAN
SCALE 1:100



LEVEL 1 PLAN
SCALE 1:100



DRIVEWAY GRADES
SCALE 1:100

RAINWATER TANK NOTE:
RAINWATER RE-USE AS SPECIFIED BY BASIX CERTIFICATE TO OUTDOOR TAPS AND/OR TOILETS AND/OR WASHING MACHINE.

PIPES NOTE:
Ø65 PVC @ MIN 1.0%
Ø90 PVC @ MIN 1.0%
Ø100 PVC @ MIN 1.0%
Ø150 PVC @ MIN 1.0%
Ø225 PVC @ MIN 0.5%
Ø300 PVC @ MIN 0.4%
UNLESS NOTED OTHERWISE

ROOF NOTE:
IT IS CONTRACTOR'S RESPONSABILITY TO ENSURE MINIMUM 30 TO 40mm OF PONDING IS ACHIEVED OVER THE FLOOR WASTES BY GRADING CATCHMENT'S SURFACES AT MINIMUM 1% FALL.

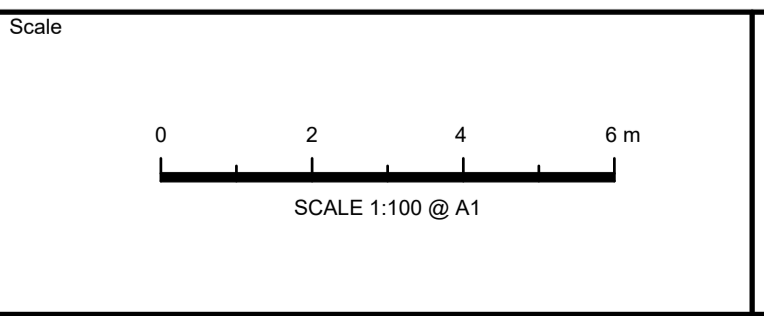
NOT FOR CONSTRUCTION

A	ISSUE FOR DEVELOPMENT APPLICATION	10/11/2021	MMH	JSF
Issue	Description	Date	Design	Checked

Certification by Dr. Michel Orsaya in affiliation with Joe Bacha (formerly Australian Consulting Engineers):

Architect
DA DesignWorx
8 Buller Street
North Parramatta NSW 2151
PO Box 2033
PHONE : 0411 983 593

Client
Zedcorp Developments
Council
City of Penrith



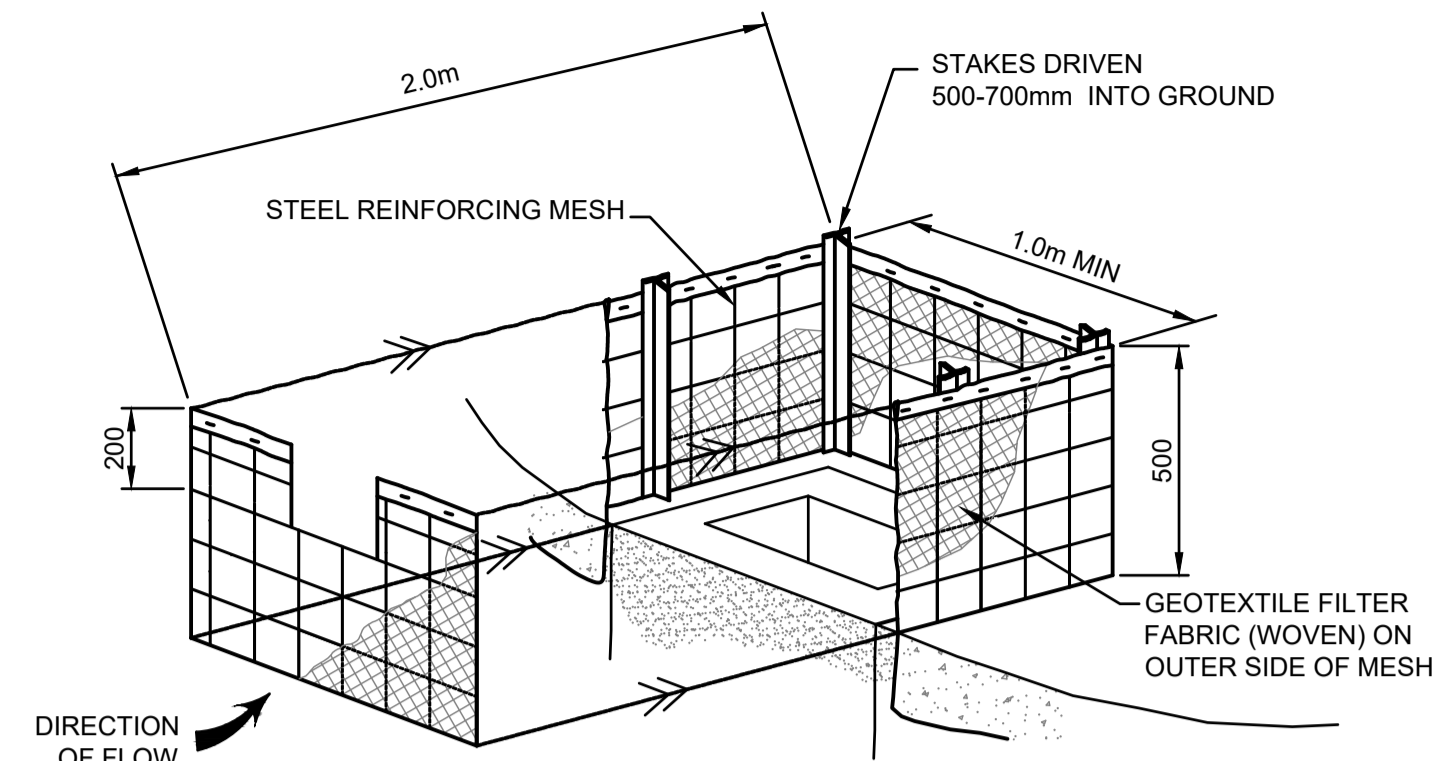
TELFORD CIVIL
DESIGN & CONSTRUCTION EXCELLENCE
Level 4, 470 Church Street, Parramatta NSW 2150
Email : info@telfordcivil.com.au
PHONE : 02 7809 4931
PO BOX 3579 Parramatta 2124

Project
41 SUNBURST DRIVE, CADDENS PROPOSED DUAL OCCUPANCY STORMWATER CONCEPT PLANS DEVELOPMENT APPLICATION

Drawing Title	STORMWATER CONCEPT PLAN		
Scale	A1	Project No.	2021382
Dwg. No.	101	Issue	A

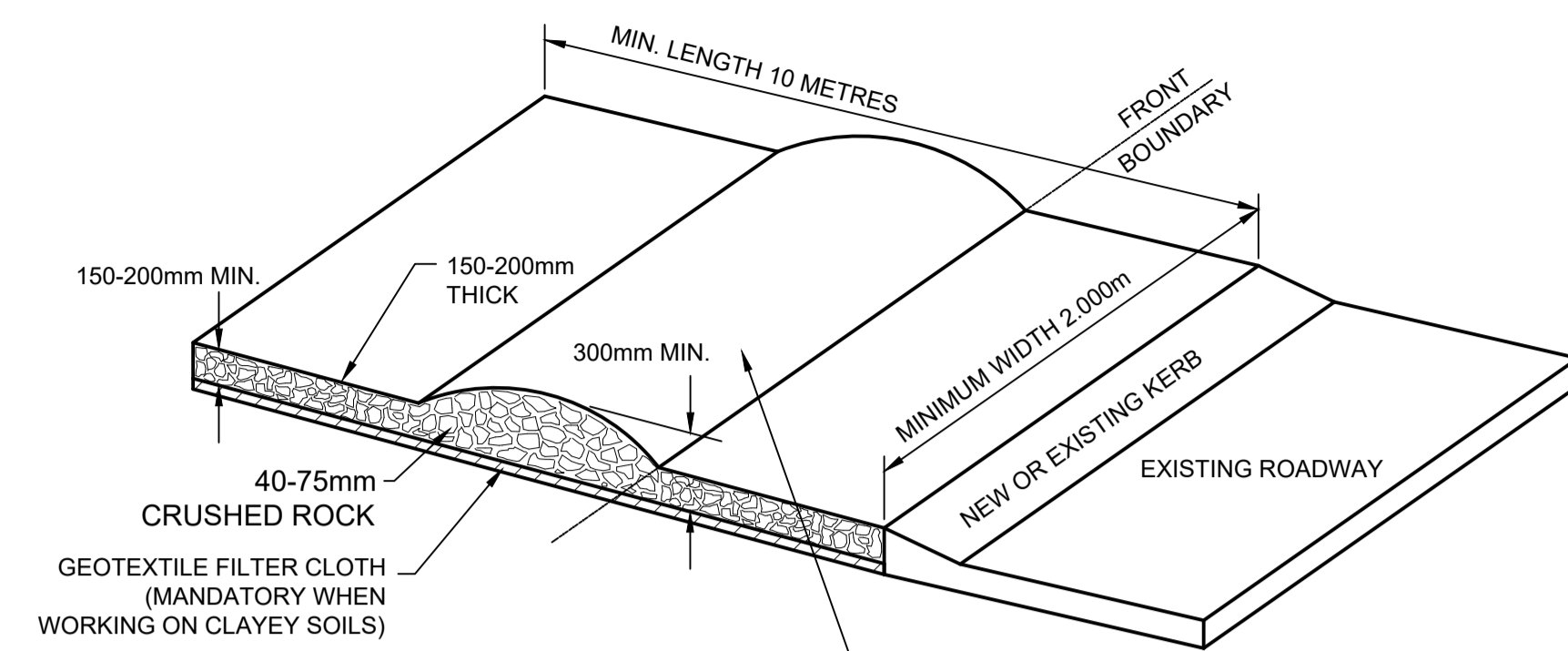
SEDIMENT & EROSION NOTES

1. IMMEDIATELY FOLLOWING SETTING OUT OF THE WORKS, BUT PRIOR TO COMMENCEMENT OF ANY CLEARING OR EARTHWORKS, THE CONTRACTOR AND SUPERINTENDENT SHALL WALK THE SITE TO NOMINATE THE LOCATIONS AND TYPES OF SEDIMENT AND EROSION CONTROL MEASURES TO BE ADOPTED. THESE MEASURES SHALL BE IMPLEMENTED PRIOR TO ANY CLEARING OR EARTHWORKS AND MAINTAINED UNTIL THE WORKS ARE COMPLETED AND NO LONGER POSE AN EROSION HAZARD, UNLESS OTHERWISE APPROVED BY THE SUPERINTENDENT.
2. IMMEDIATELY FOLLOWING SETTING OUT OF THE WORKS, BUT PRIOR TO COMMENCEMENT OF ANY CLEARING OR EARTHWORKS, THE CONTRACTOR AND SUPERINTENDENT SHALL WALK THE SITE TO IDENTIFY AND MARK TREES WHICH ARE TO BE PRESERVED. NOTWITHSTANDING THE ABOVE, THE CONTRACTOR SHALL TAKE ALL REASONABLE PRECAUTIONS TO MINIMISE DISTURBANCE TO EXISTING VEGETATION AND GROUND COVER OUTSIDE THE MINIMUM AREAS REQUIRED TO COMPLETE THE WORKS AND SHALL BE RESPONSIBLE FOR RECTIFICATION, AT ITS OWN COST, OF ANY DISTURBANCE BEYOND THOSE AREAS.
3. PROVIDE GULLY GRATE INLET SEDIMENT TRAPS AT ALL GULLY PITTS.
4. PROVIDE SILT FENCING ALONG PROPERTY LINE AS DIRECTED BY SUPERINTENDENT.
5. ADDITIONAL CONTROL DEVICES TO BE PLACED WHERE DIRECTED BY THE PRINCIPLE.
6. ALTERNATIVE DESIGNS TO BE APPROVED BY SUPERINTENDENT PRIOR TO CONSTRUCTION.
7. WASH DOWN/RUMBLE AREA TO BE CONSTRUCTED WITH PROVISIONS RESTRICTING ALL SILT AND TRAFFICKED DEBRIS FROM ENTERING THE STORMWATER SYSTEM.
8. NO WORK OR STOCKPILING OF MATERIALS TO BE PLACED OUTSIDE OF SITE WORK BOUNDARY.
9. APPROPRIATE EROSION AND SEDIMENT CONTROLS TO BE USED TO PROTECT STOCKPILES AND MAINTAINED THROUGH OUT CONSTRUCTION.
10. IT IS THE CONTRACTORS RESPONSIBILITY TO TAKE DUE CARE OF NATURAL VEGETATION. NO CLEARING IS TO BE UNDERTAKEN WITHOUT PRIOR APPROVAL FROM THE SUPERINTENDENT.
11. TO AVOID DISTURBANCE TO EXISTING TREES, EARTHWORKS WILL BE MODIFIED AS DIRECTED ON-SITE BY THE SUPERINTENDENT.
12. THE LOCATION OF EROSION AND SEDIMENTATION CONTROLS WILL BE DETERMINED ON SITE BY THE SUPERINTENDENT.
13. ACCESS TRACKS THROUGH THE SITE WILL BE LIMITED TO THOSE DETERMINED BY THE SUPERINTENDENT AND THE CONTRACTOR PRIOR TO ANY WORK COMMENCING.
14. ALL SETTING OUT IS THE RESPONSIBILITY OF THE CONTRACTOR PRIOR TO WORKS COMMENCING ON SITE. THE SUPERINTENDENT'S SURVEYOR SHALL PEG ALL ALLOTMENT BOUNDARIES. PROVIDE COORDINATE INFORMATION TO THESE PEGS AND PLACE BENCH MARKS. THE CONTRACTOR SHALL SET OUT THE WORKS FROM AND MAINTAIN THESE PEGS.
15. PLANS ARE MINIMUM REQUIREMENTS AND ARE TO BE USED AS A GUIDE ONLY. EXACT MEASURES USED SHALL BE DETERMINED ON SITE IN CONJUNCTION WITH PROGRAM OF CONTRACTORS WORKS etc.



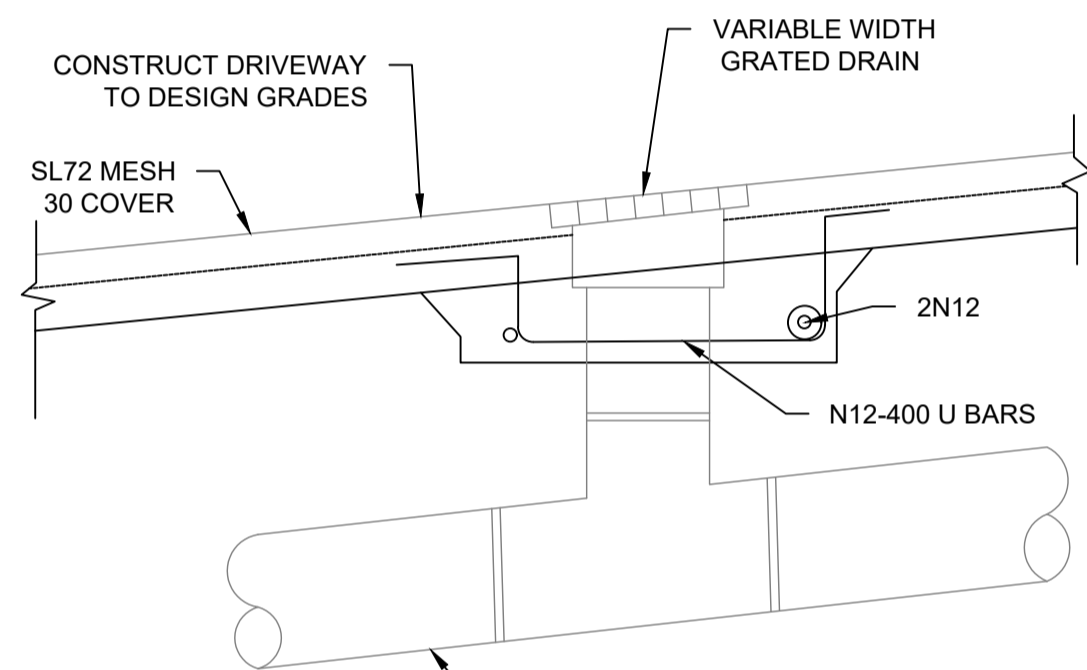
FIELD INLET SEDIMENT TRAP

N.T.S.



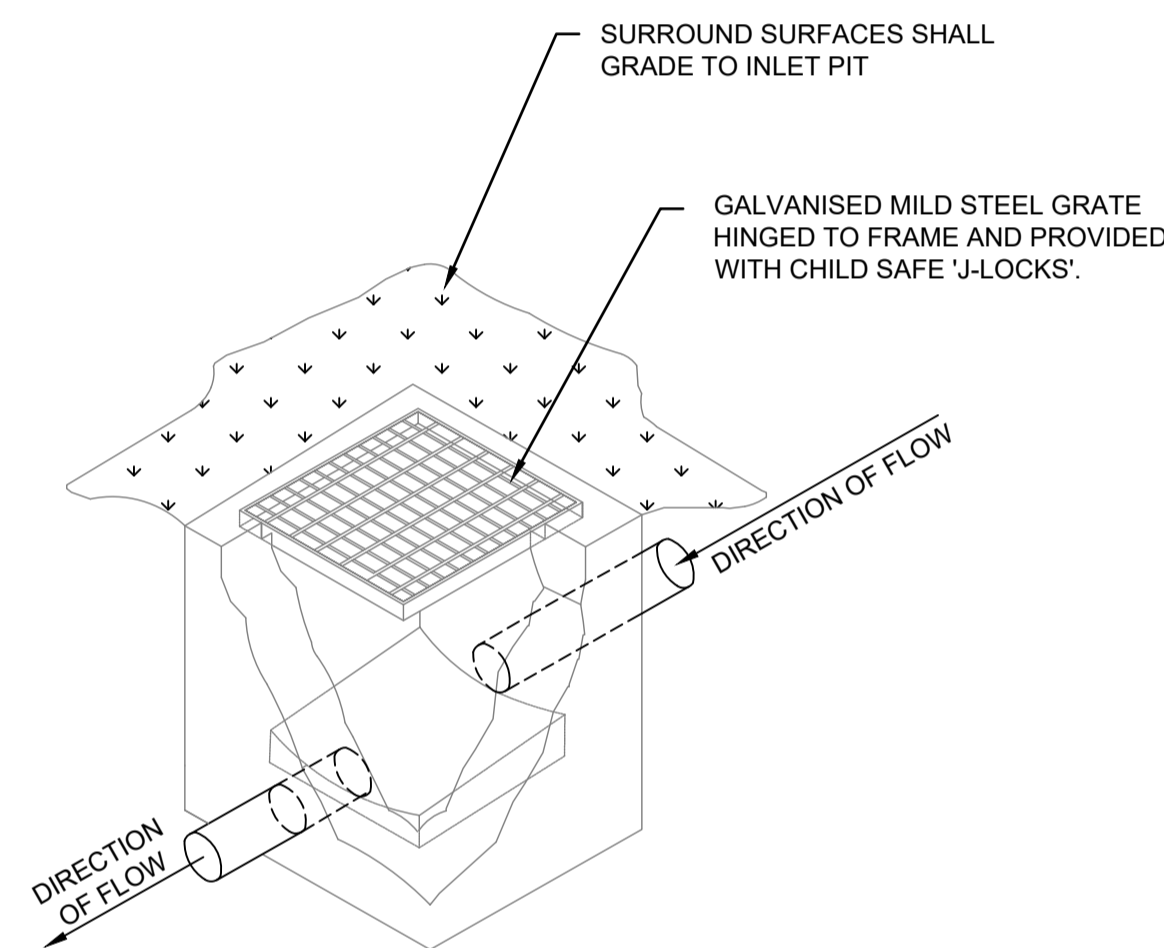
SHAKEDOWN DEVICE

N.T.S.



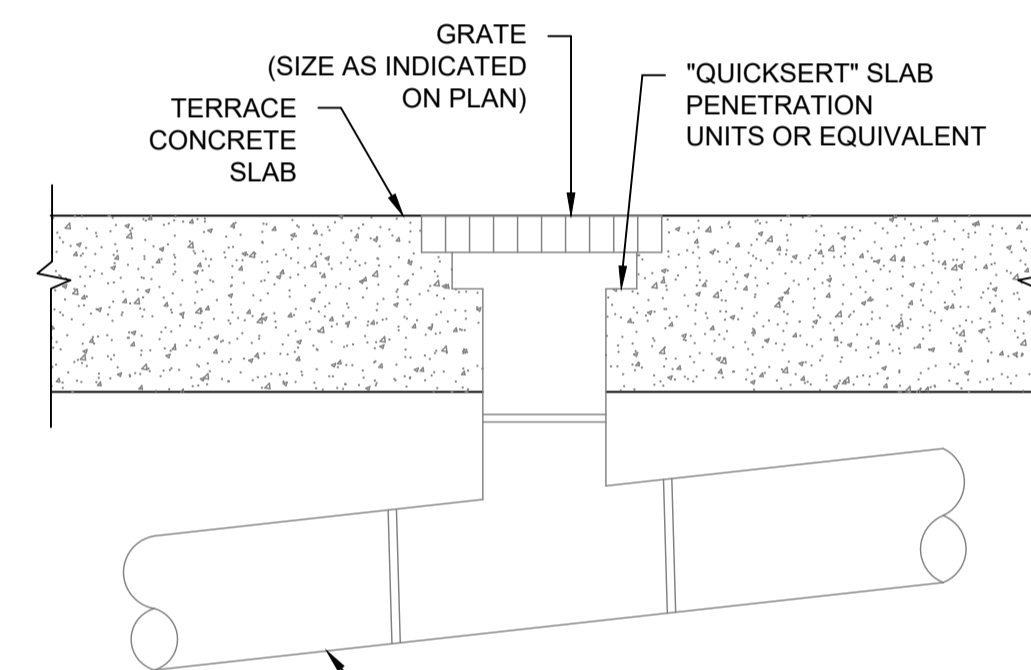
GRATED DRAIN DETAIL

N.T.S.



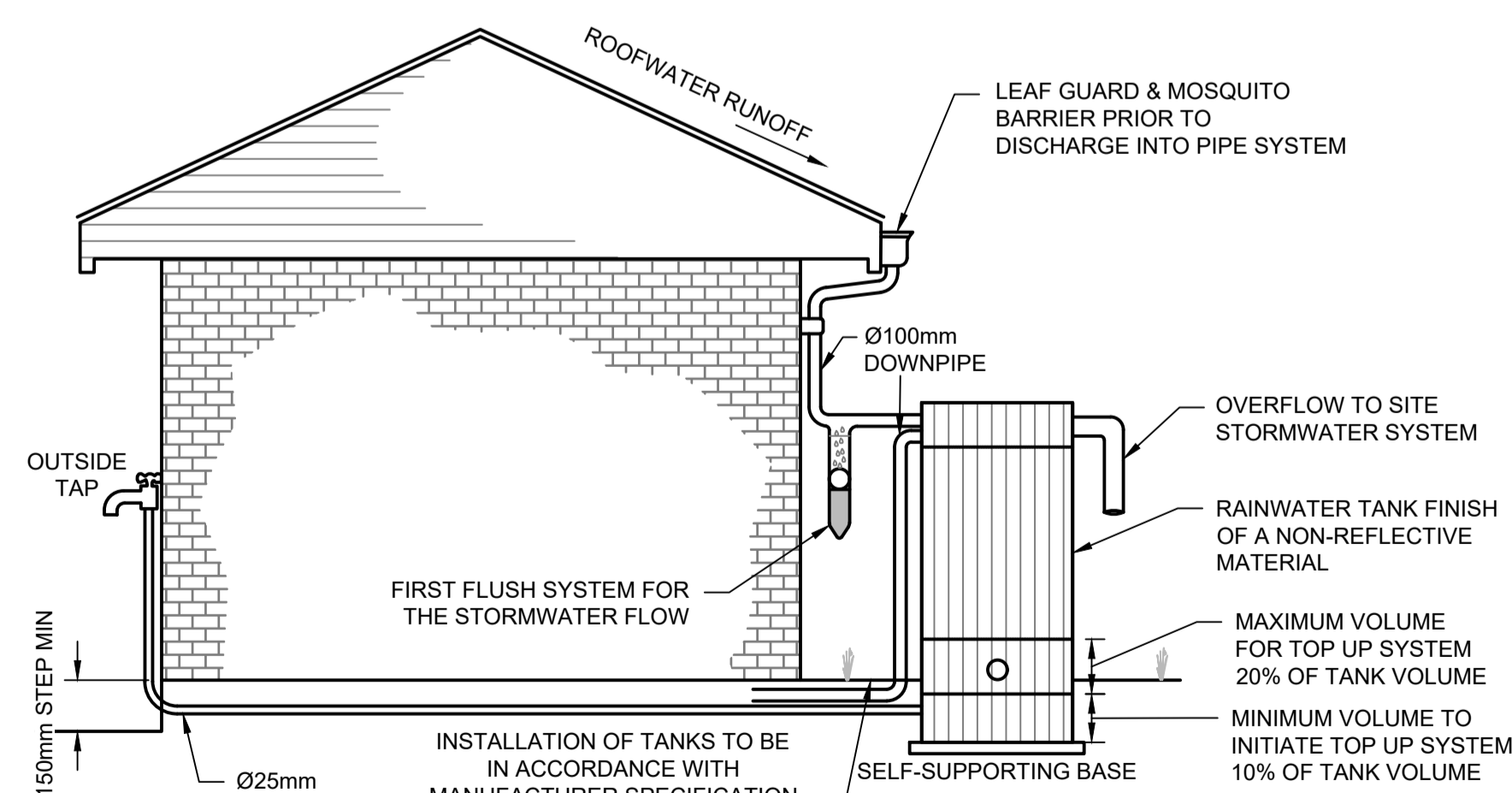
TYPICAL GRATED INLET PIT DETAIL

N.T.S.



RAINWATER OUTLET DETAIL

N.T.S.

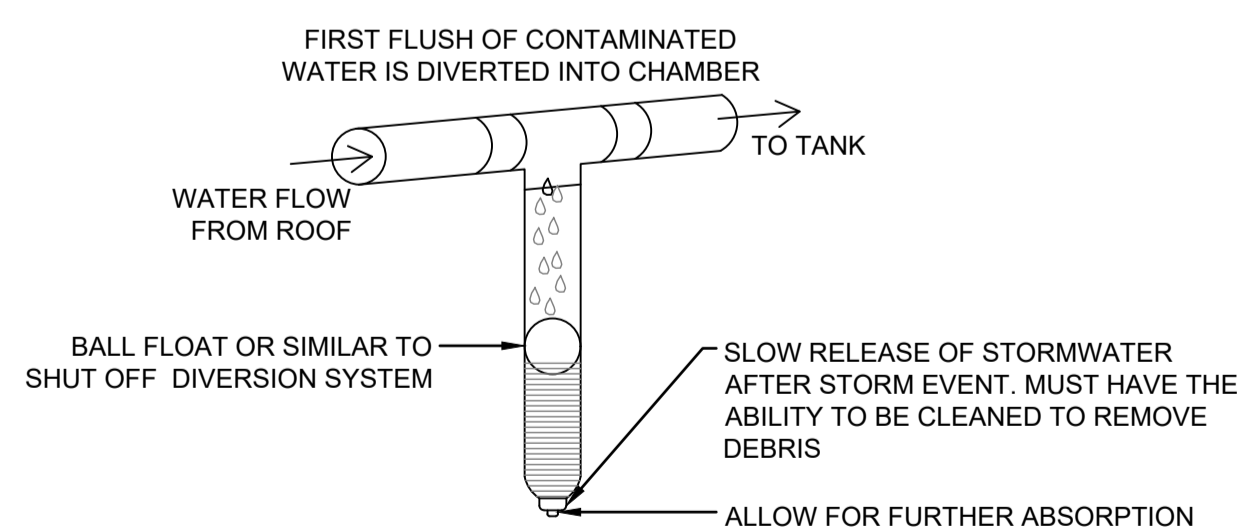


RAINWATER TANK DETAIL

N.T.S.

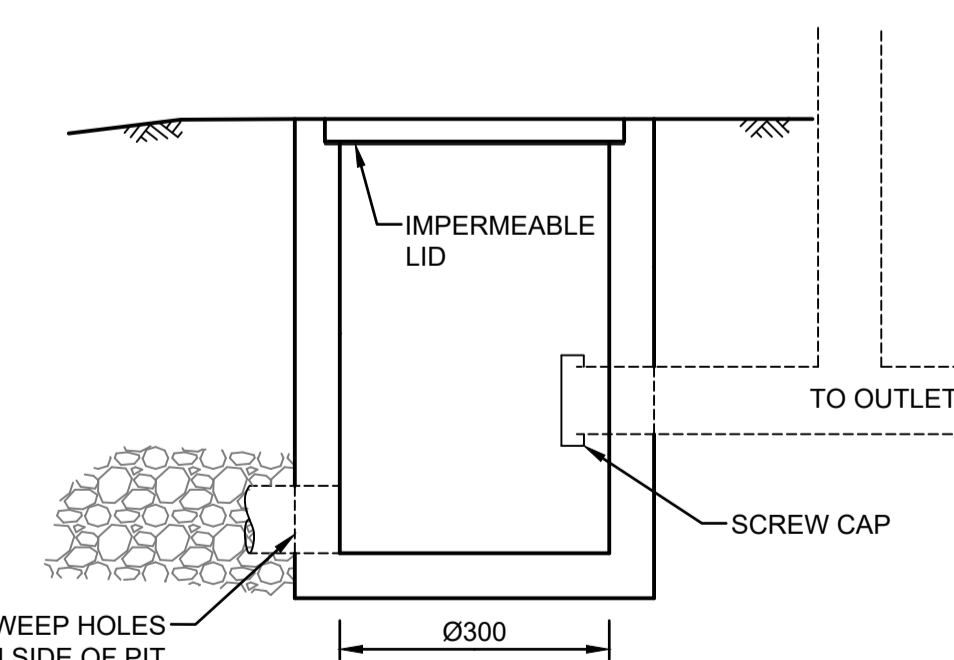
STORAGE TANK NOTES:

1. TANK WATER TAPS SHALL BE MARKED "RAINWATER NOT TO HUMAN CONSUMPTION".
2. RAINWATER TANKS SHALL BE CONNECTED TO MAINS WATER SUPPLY AS BACKUP.
3. THE PUMPS ARE TO BE INSULATED IN ACCORDANCE WITH COUNCIL POLICY.
4. PUMPS SHALL PROVIDE MINIMUM 150 kPa PRESSURE.
5. EACH TANK TO BE CONNECTED TO AN OUTDOOR TAP FOR IRRIGATION USE.
6. RAINWATER TANKS TO BE CLEANED OUT EVERY 6 MONTHS.
7. WATER TANK AND ASSOCIATED STRUCTURE TO BE THE SAME COLOR, OR A COLOR COMPLEMENTARY TO THE DWELLING.
8. TOP TANK TO BE BELOW TOP OF NEAREST FENCE, OR 1.8 METERS WHICHEVER IS LESS.
9. THE WATER TANK SHOULD BE LOCATED AT LEAST 900mm FROM ANY PROPERTY BOUNDARY.
10. PLUMBING FROM THE WATER TANK IS TO BE KEPT SEPARATED FROM THE RETICULATED WATER SUPPLY SYSTEM.
11. TANK TO BE BUILT ON SELF-SUPPORTING BASE.
12. PROVIDE BACK-FLOW PREVENTION DEVICE AT MAINS WATER METER.
13. ROOF DRAINING TO TANK MUST NOT CONTAIN LEAD, TAR BASED PAINTS OR ASBESTOS.
14. WATER TO BE DRAWN FROM ANAEROBIC ZONE OF TANK.



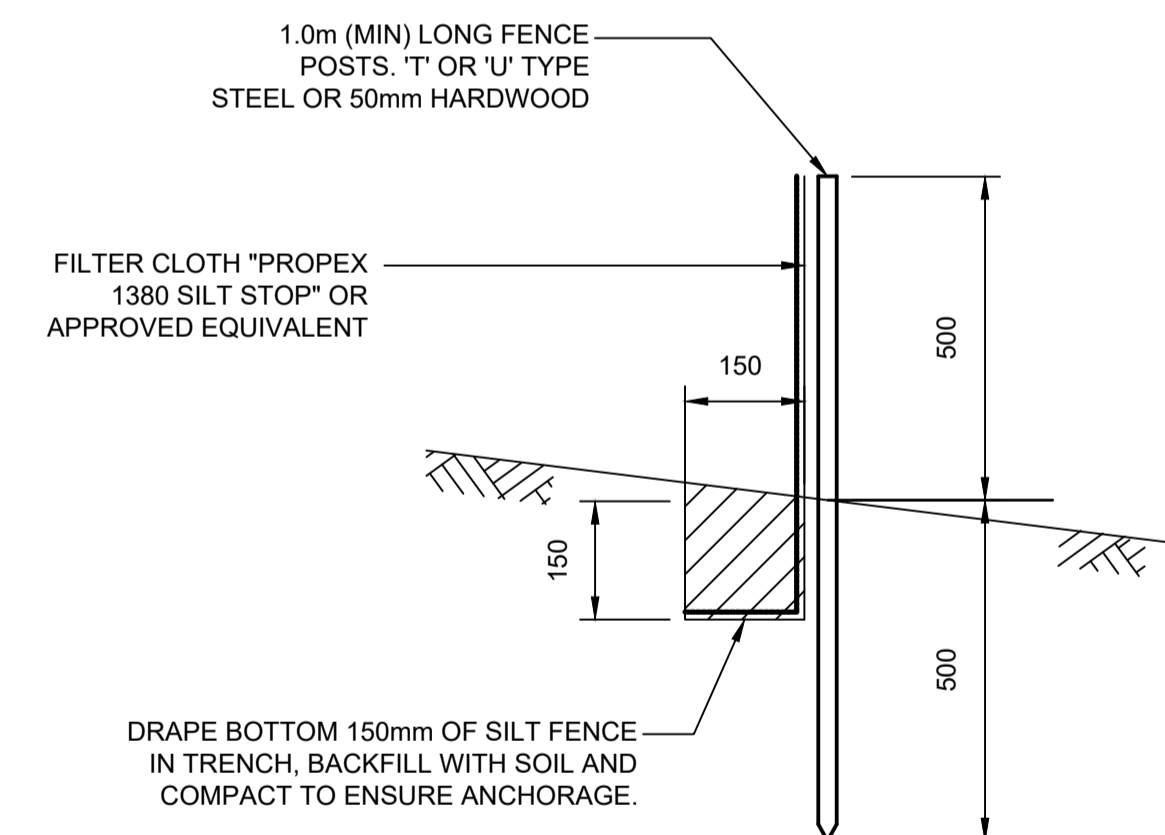
FIRST FLUSH WATER DIVERTER DETAIL

N.T.S.



CLEANING EYE DETAIL

N.T.S.



SILT FENCE DETAIL

N.T.S.

SILT FENCE NOTES:

1. FILTER CLOTH TO BE FASTENED SECURELY TO POSTS WITH GALVANISED WIRE TIES, STAPLES OR ATTACHMENT BELTS.
2. POSTS SHOULD NOT BE SPACED MORE THAN 3.0m APART.
3. WHEN TWO SECTIONS OF FILTER CLOTH ADJOIN EACH OTHER THEY SHALL BE OVERLAPPED BY 150mm AND FOLDED.
4. FOR EXTRA STRENGTH TO SILT FENCE, WOVEN WIRE (14mm GAUGE, 150mm MESH SPACING) TO BE FASTENED SECURELY BETWEEN FILTER CLOTH AND POSTS BY WIRE TIES OR STAPLES.
5. INSPECTIONS SHALL BE PROVIDED ON A REGULAR BASIS, ESPECIALLY AFTER RAINFALL AND EXCESSIVE SILT DEPOSITS REMOVED WHEN 'BULGES' DEVELOP IN SILT FENCE.
6. SEDIMENT FENCES SHALL BE CONSTRUCTED WITH SEDIMENT TRAPS AND EMERGENCY SPILLWAYS AT SPACINGS NO GREATER THAN 40m ON FLAT TERRAIN DECREASING TO 20m SPACINGS ON STEEP TERRAIN.

NOT FOR CONSTRUCTION

Issue	Description	Date	Design	Checked
A	ISSUE FOR DEVELOPMENT APPLICATION	10/11/2021	MMH	JSF

Certification By: Dr. Michel Grassy
in affiliation with Joe Bacha (formerly
Australian Consulting Engineers)

Architect
DA DesignWorx
8 Buller Street
North Parramatta NSW 2151
PO Box 2033
PHONE : 0411 983 593

Client
Zedcorp Developments
Council
City of Penrith

Scale

TELFORD CIVIL
DESIGN & CONSTRUCTION EXCELLENCE
Level 4, 470 Church Street, Parramatta NSW 2150
Email : info@telfordcivil.com.au
PHONE : 02 7809 4931
PO BOX 3579 Parramatta 2124

Project
**41 SUNBURST DRIVE, CADDENS
PROPOSED DUAL OCCUPANCY
STORMWATER CONCEPT PLANS
DEVELOPMENT APPLICATION**

Drawing Title
**MISCELLANEOUS
DETAILS SHEET**
Scale A1 Project No. 2021382 Dwg. No. 102 Issue A