

SECTION 3: OPERATIONAL PHASE		
TYPE OF PREMISE	EDUCATION/TRAINING (TEACHING SPACE)	
RECYCLING GENERATION ALLOWANCE	632	m ²
COUNCIL COLLECTION DAY	2	
RECYCLING GENERATION RATE	1	
COUNCIL COLLECTION INTERVAL	1	REUSE AS FILL
STANDARD COUNCIL MGB SIZE	1	REUSE AS FORMWORK
TOTAL RECYCLING MGBs REQUIRED	N/A	N/A
RECYCLING MGB LID COLOUR CODE	0.1	N/A
RESIDUAL GENERATION RATE	0.5	N/A
COUNCIL COLLECTION INTERVAL		
STANDARD COUNCIL RESIDUAL MGB SIZE		
TOTAL RESIDUAL MGBs REQUIRED		
RESIDUAL MGB LID COLOUR CODE		
COUNCIL ORGANIC COLLECTION STATUS	UNAVAILABLE (SITE WITHIN PCC RURAL AREA). ONSITE COMPOSTING ADVISED.	
FOOD ORGANICS (AVG.% OF RESIDUAL WASTE) *		
GARDEN ORGANICS (AVG.% OF RESIDUAL WASTE) *		
CUMULATIVE ORGANIC GENERATION RATE		

LEGEND

- PROPOSED CONSTRUCTION & ADDITIONS
- PROPOSED DEMOLITIONS / REMOVAL
- PROPOSED STOCKPILE/SKIP/MGB LOCATIONS

BY	REV.	ISS.	DATE.	DESCRIPTION
---	---	---	---	---
---	---	---	---	---
---	---	---	---	---
---	R.S.	---	26/02/2018	---

envirotech
STORMWATER

Consulting Engineers
Wastewater Contamination
Stormwater Ecology
Bushfire Acoustic & Noise

P: 1/23 ROWOOD RD, PROSPECT, NSW 2148
E: info@envirotech.com.au
F: (02) 8834 0760
T: 1300 888 324 | (02) 9896 1568

TITLE: WASTE MANAGEMENT PLAN: OPERATIONAL PHASE

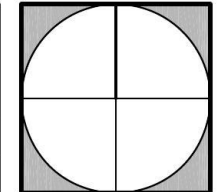
PROJECT: PROPOSED COMMUNITY FACILITY

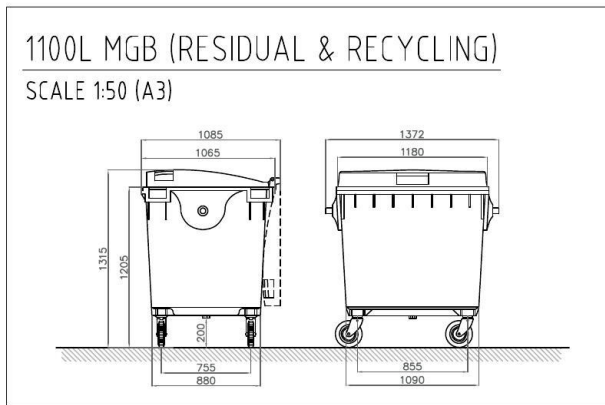
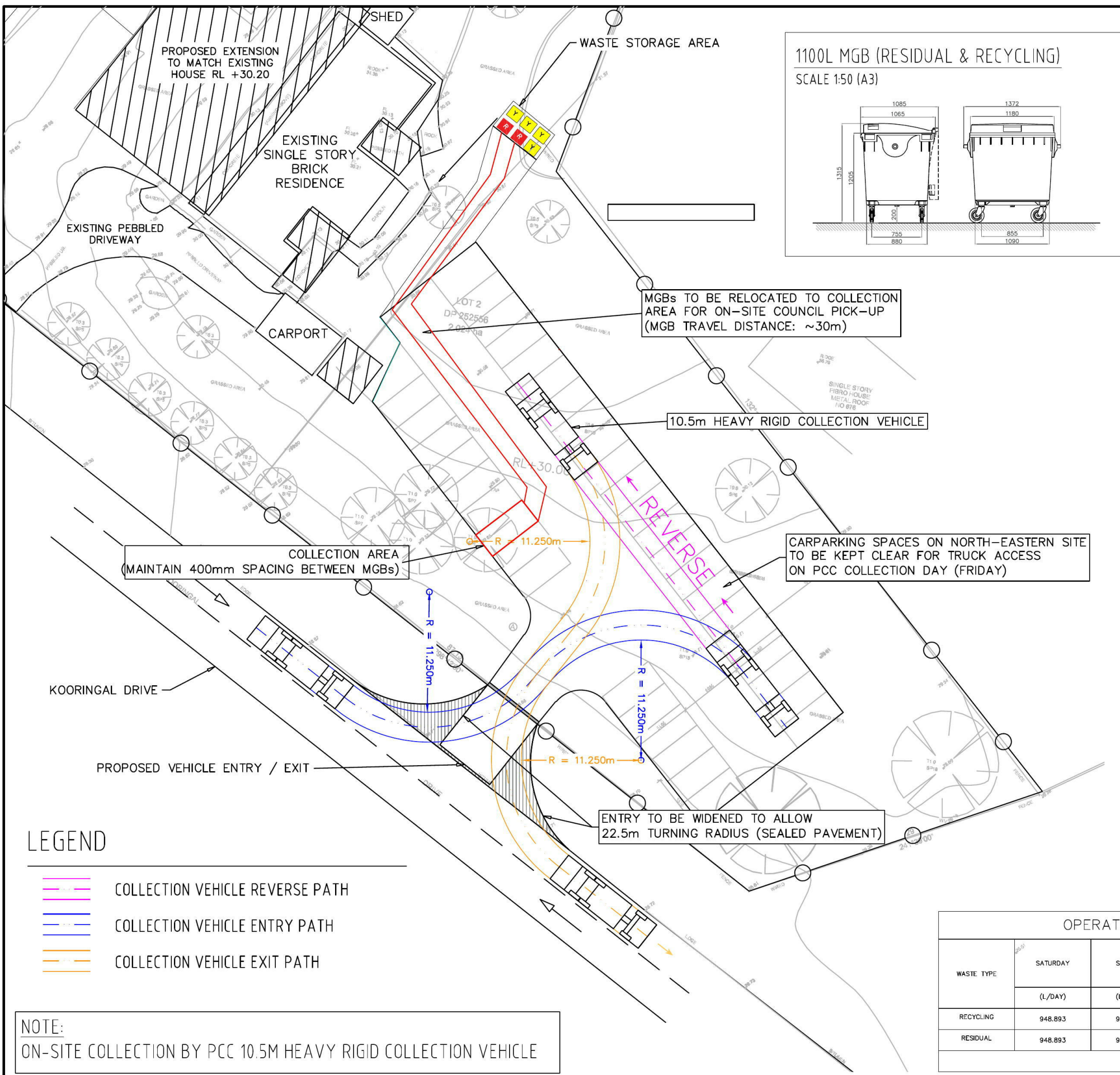
682 CASTLEREAGH ROAD, CASTLREAGH, NSW (PCC LGA)

envirotech
Consulting Group

APPROVED ON BEHALF OF
ENVIROTECH PTY. LTD
R. Starkey
Rhys Starkey
B.E. (Adv.) (Civil/Eng)

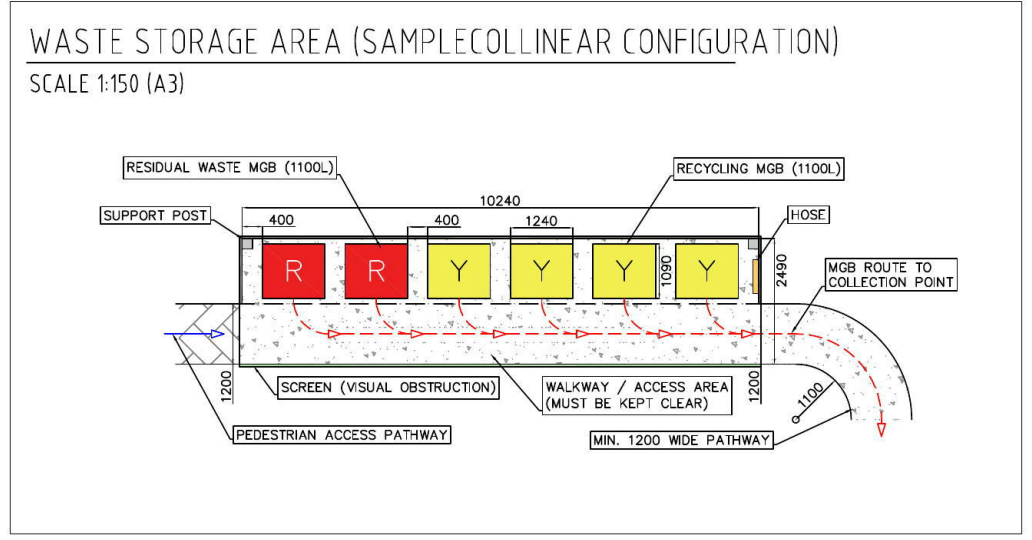
JOB No.	DWG No.	SCALE.
30A	1 / 2	1:1000





SECTION 3: OPERATIONAL PHASE				
SITE DETAILS	FLOOR AREA	632.595	m ²	
	COUNCIL COLLECTION DAY	FRIDAY		
	PCC COLLECTION SERVICE AREA	2-BIN SERVICE (RURAL)	(ORGANICS COLLECTION UNAVAILABLE)	
	TYPE OF PREMISE *	WEEKDAY	EDUCATION/TRAINING	(TEACHING SPACE)
WEEKEND		RELIGIOUS EVENTS	(TAKEAWAY CAFE EST. EQUIVALENCY)	
RECYCLING	RECYCLING GENERATION ALLOWANCE *	WEEKDAY	5	L / 100m ² FLOOR AREA/ DAY
		WEEKEND	150	L / 100m ² FLOOR AREA/ DAY
	RECYCLING GENERATION RATE	WEEKDAY	31.630	L / DAY
		WEEKEND	948.893	L / DAY
	TOTAL RECYCLING GENERATION		2055.934	L / WEEK
			4111.868	L / FORTNIGHT
	RECYCLING COLLECTION INTERVAL		FORTNIGHTLY	
	RECOMMENDED STANDARD COUNCIL MGB SIZE		1100	L
TOTAL RECYCLING MGBs REQUIRED		4	(1100L MGBs)	
RECYCLING MGB LID COLOUR CODE		YELLOW		
RESIDUAL	RESIDUAL WASTE GENERATION ALLOWANCE *	WEEKDAY	5	L / 100m ² FLOOR AREA/ DAY
		WEEKEND	150	L / 100m ² FLOOR AREA/ DAY
	RESIDUAL WASTE GENERATION RATE	WEEKDAY	31.630	L / DAY
		WEEKEND	948.893	L / DAY
	TOTAL RESIDUAL WASTE GENERATION		2055.93	L / WEEK
	RESIDUAL WASTE COLLECTION INTERVAL		WEEKLY	
	RECOMMENDED STANDARD COUNCIL MGB SIZE		1100	L
	TOTAL RESIDUAL MGBs REQUIRED		2	(1100L MGBs)
RESIDUAL WASTE MGB LID COLOUR CODE		RED		

*COMMERCIAL WASTE GENERATION RATES GUIDELINE, TABLE 1.1 (PENRITH CITY COUNCIL)



- LEGEND**
- COLLECTION VEHICLE REVERSE PATH
 - COLLECTION VEHICLE ENTRY PATH
 - COLLECTION VEHICLE EXIT PATH

NOTE:
ON-SITE COLLECTION BY PCC 10.5M HEAVY RIGID COLLECTION VEHICLE

OPERATIONAL WASTE GENERATION SCHEDULE (ESTIMATED MAXIMUM)									
WASTE TYPE	SATURDAY	SUNDAY	MONDAY	TUESDAY	WEDNESDAY	THURSDAY	FRIDAY	TOTAL	
	(L/DAY)	(L/DAY)	(L/DAY)	(L/DAY)	(L/DAY)	(L/DAY)	[COLLECTION DAY]*	(L/WEEK)	(L / FORTNIGHT)
RECYCLING	948.893	948.893	31.360	31.360	31.360	31.360	31.360	2055.934	4111.868
RESIDUAL	948.893	948.893	31.360	31.360	31.360	31.360	31.360	2055.934	N/A.

*NOTE: RESIDUAL WASTE COLLECTION WEEKLY; RECYCLING COLLECTION FORTNIGHTLY.

BY	REV.	ISS.	DATE.	DESCRIPTION
R.S	R.S	B	26/02/2018	ISSUE FOR APPROVAL

envirotech
STORMWATER

Consulting Engineers
Wastewater, Stormwater, Bushfire, Contamination Ecology, Acoustic & Noise

P: 1/23 ROWOOD RD, PROSPECT, NSW 2148
E: info@envirotech.com.au
F: (02) 8834 0760
T: 1300 888 324 | (02) 9896 1568

TITLE: WASTE MANAGEMENT PLAN: OPERATIONAL PHASE

PROJECT: PROPOSED COMMUNITY FACILITY

682 CASTLEREAGH ROAD, CASTLREAGH, NSW (PCC LGA)

envirotech
Consulting Group

APPROVED ON BEHALF OF ENVIROTECH PTY. LTD.
R. Starkey
Rhys Starkey
B.E. (Adv.) (Civil/Eng)

JOB No. 61D | DWG No. 2 / 2 | SCALE: 1:1000

