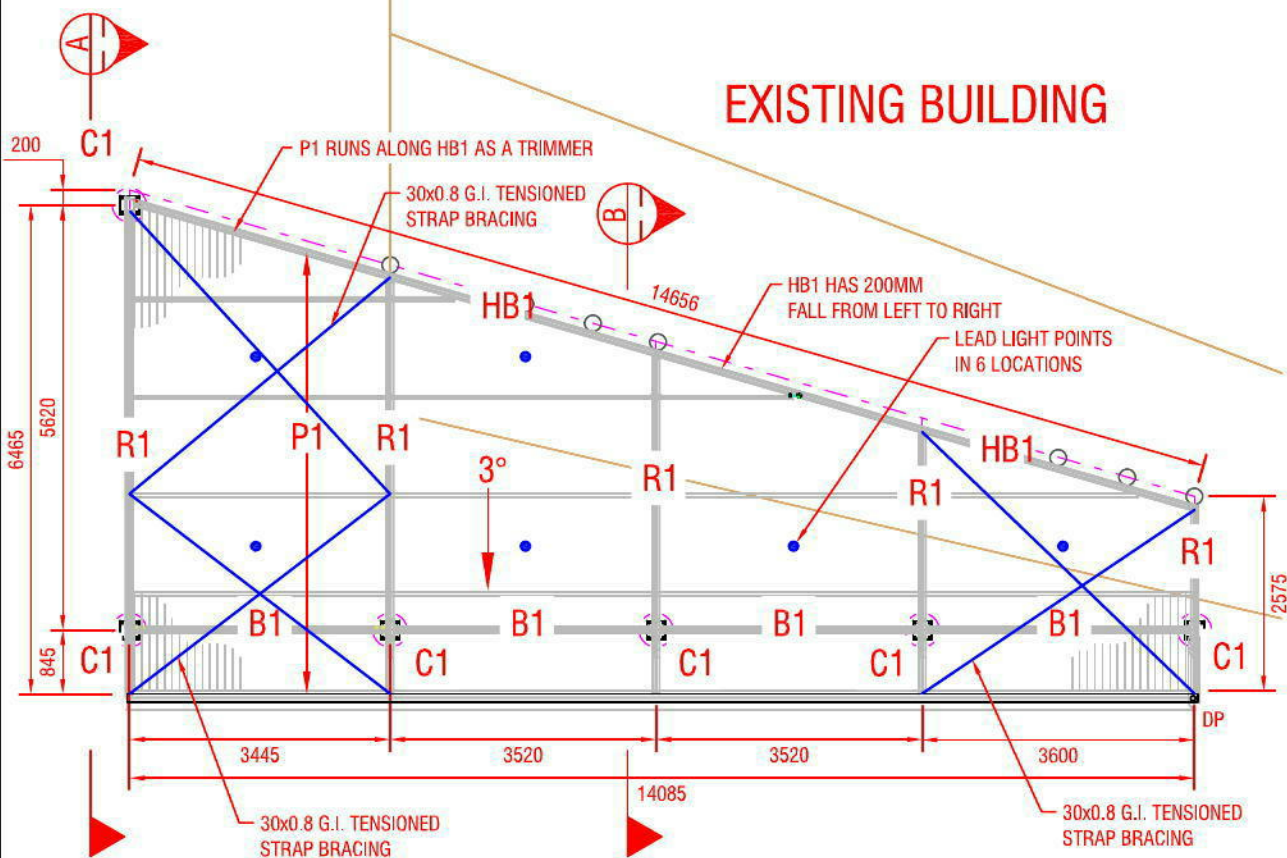
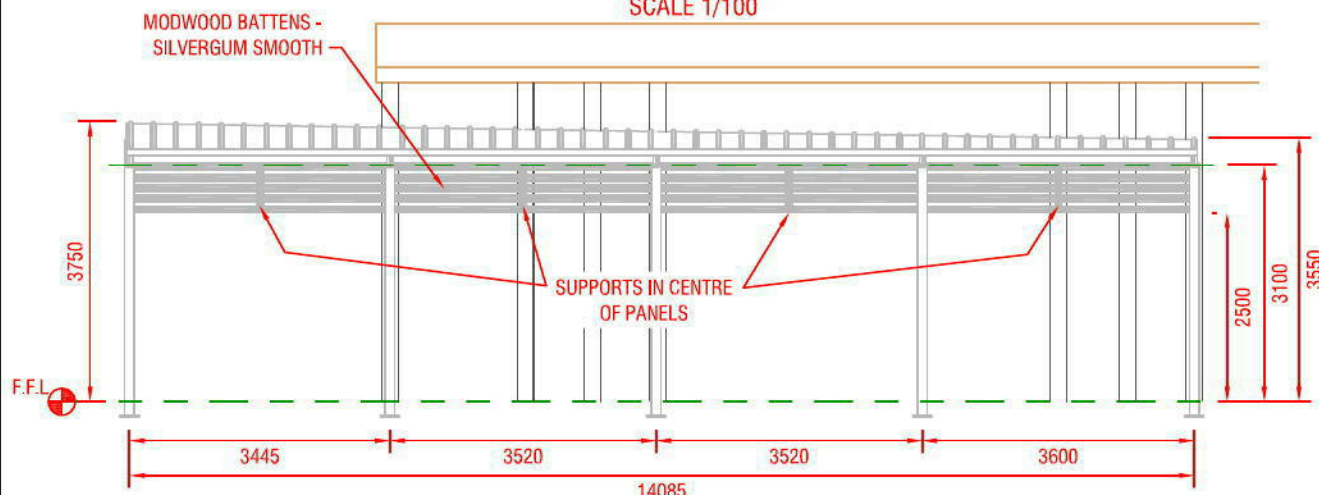


DO NOT SCALE - IF IN DOUBT ASK



PLAN LAYOUT

SCALE 1/100

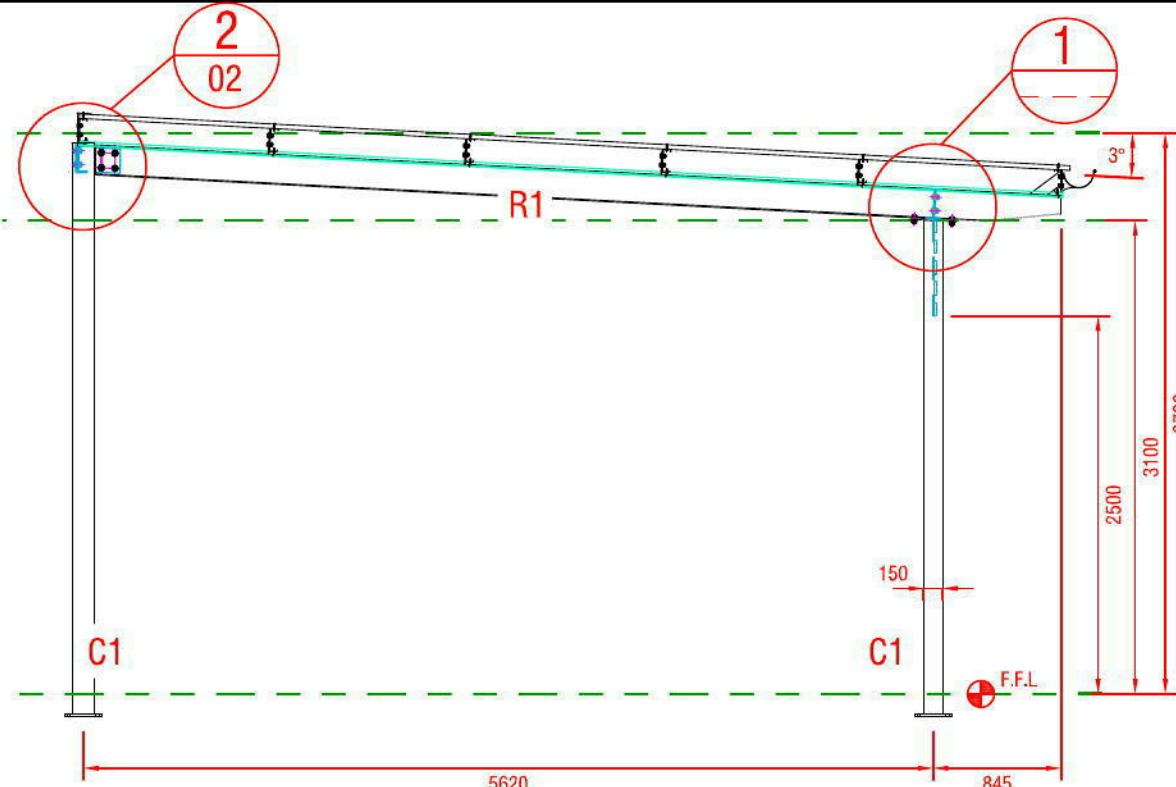


FRONT ELEVATION

SCALE 1/100

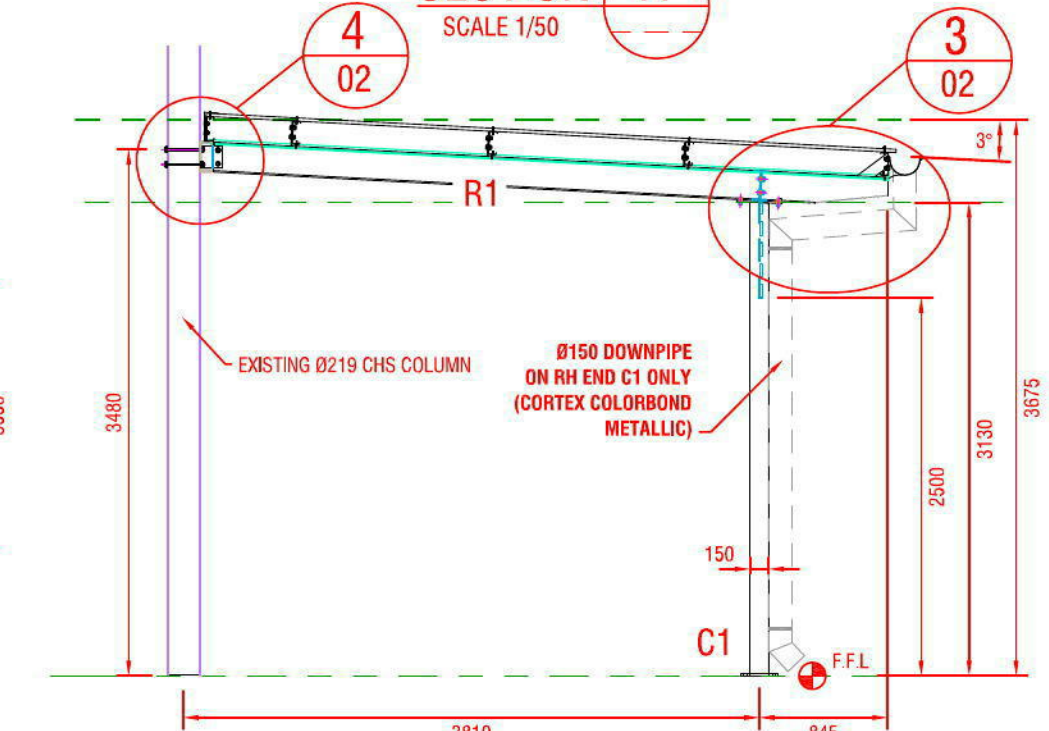
DESIGN CRITERIA & NOTES:

- STEEL TO BE AS FOLLOWS U.N.O:
GR300 AS/NZS 3679 FOR ROLLED BAR & SECTIONS
GR250 AS/NZS 3678 FOR PLATE
GR350 AS 1163 FOR RHS & CHS
- ALL WELDING TO COMPLY TO AS 1554 PART 1.
WELDS TO BE 6mm CONTINUOUS FILLET U.N.O.
BUTT WELDS TO BE FULL PENETRATION.
ALL JOINTS TO BE SEALED.
- REMOVE ALL SHARP EDGES AND BURRS.
- HOLD DOWNS AND FOOTINGS TO BE IN ACCORD. WITH AS 4100 (steel) & AS 3600 (concrete)
- REFER FORM 15 FOR DESIGN WIND CLASSIFICATION
- LOAD CALCULATIONS
SHADE SAILS <90 SQM: 1.8kn OF PRESTRESS ON PERIMETER
SHADE SAILS >90 SQM: 3.0kn OF PRESTRESS ON PERIMETER
PVC SAILS: 3.9kn OF PRESTRESS ON PERIMETER
- CONCRETE FOOTINGS TO BE 20mm max. AGGREGATE, 80 SLUMP, 20MPa UNLESS NOTED OTHERWISE
- Min. ALLOWABLE BEARING CAPACITY OF 100kPa IN FIRM NATURAL MATERIAL OF UNDRAINED SHEAR STRENGTH 50 kPa HAS BEEN ADOPTED FOR FOOTING DESIGN SITE
- CLASSIFICATION IS TAKEN TO BE MODERATELY REACTIVE (M).
ALL FIXINGS MUST BE CORRECTLY INSTALLED AND CABLES NOT PINCHED OR KINKED
- INSTALLATION TO BE PERFORMED BY LICENSED CONTRACTORS FOR TENSION MEMBRANE STRUCTURES
- DETAILED WORKSHOP DRAWINGS ARE TO BE COMPLETED AND CHECKED AGAINST THESE APPROVED ENGINEERING DRAWINGS PRIOR TO FABRICATION OF COMPONENTS AND ERECTION OF THE STRUCTURE
- FOUNDATIONS AND FIXINGS. IT DOES NOT COVER THE LOAD EFFECTS TRANSMITTED ON TO THE MOUNT POINTS ON ANY PART OF AN EXISTING STRUCTURE. THESE EFFECTS MUST BE CHECKED AND VERIFIED BY THE DESIGNER OF THE EXISTING BUILDING.
- WHERE REFERENCED M.W.L. (max working load) = 0.25 x B/S (breaking strain)
- WIND LOADING HAS BEEN DETERMINED IN ACCORDANCE WITH AS 1170 PART 2 BASED ON THE FOLLOWING:
REGION : A
AVERAGE RECURRENCE INTERVAL : 500 YEARS
REGIONAL WIND SPEED V_r (m/s) : 45
TERRAIN CATEGORY : 3.0
SHIELDING MULTIPLIER : 0.85
TOPOGRAPHIC MULTIPLIER : 1.0
TERRAIN HEIGHT MULTIPLIER : 0.83
WIND DIRECTION MULTIPLIER : 0.95
ULTIMATE LIMIT STATE SITE WIND SPEED $V_{sr,6}$ (m/s) : 30.2
INTERNAL PRESSURE COEFFICIENT : +0.0, -0.0
WIND CLASSIFICATION : N1



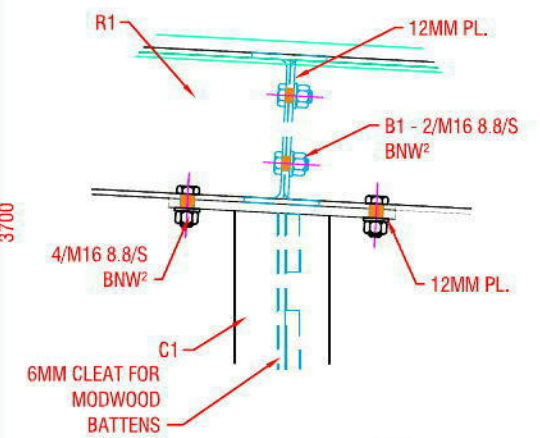
SECTION A

SCALE 1/50



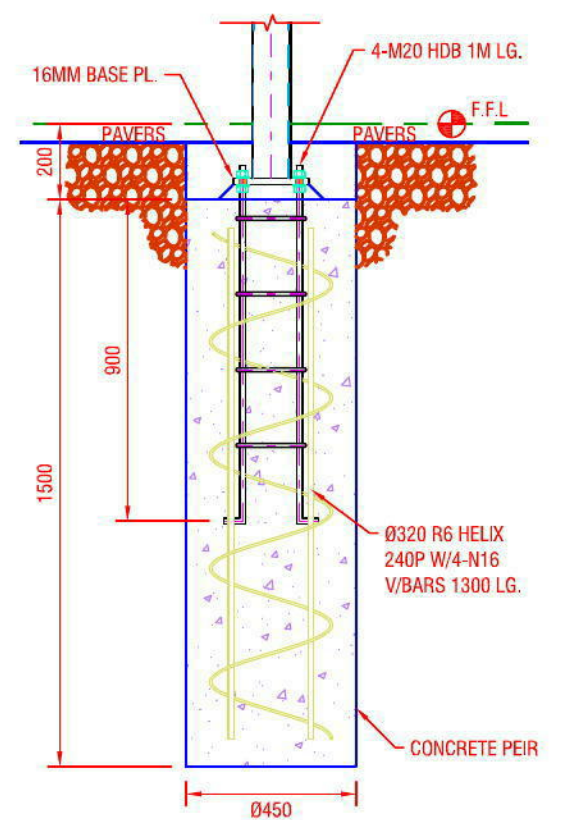
SECTION B

SCALE 1/50



DETAIL 1

SCALE 1/10



C1 FOOTING DETAIL

SCALE 1/20

STEEL SIZES

C1-COLUMN SIZE	R1 -RAFTER SIZE	B1 - BEAM	HB1 - HEADER BEAM	ROOFING	CEILING	GUTTER	P1 - PURLIN
150X100X4 SHS	200UB18.2	200UB18.2	200 PFC	FIELDERS SPANFORM 0.42 - CORTEX	6MM FC SHEETING	200 HALF ROUND	C150.12 @1200 C/C

PLANS CHECKED BY
N12@900 PTY. LTD.
12 SANDY COVE CRESCENT
COOLUMBEE BEACH 4573
Ph. 0410 599 211
A.B.N. 19 129 181 086

ENGINEER'S VERIFICATION
IN MY PROFESSIONAL OPINION THE STRUCTURAL DESIGN DESCRIBED ON THIS DRAWING IS CAPABLE OF WITHSTANDING THE DESIGN WIND LOADS NOTED IN THE DESIGN CRITERIA.
REFER TO THE ASSOCIATED FORM 15 FOR DESIGN STANDARDS FORMING THE BASIS OF THIS DESIGN.

SIGNED:
STUART DOCHERTY (MIE JUST. RPEQ 6213)

REV.	DESCRIPTION	DATE	BY	CHKD
D	ENGINEER VERIFIED	07/05/2013	MR	IH
C	CHANGES TO STRUCTURE BY CLIENT	03/05/2013	MR	IH
B	CHANGES TO STRUCTURE BY CLIENT	28/03/13	MR	IH
A	INITIAL DRAWING PROPOSAL	04/03/2013	MR	IH

THIS DRAWING IS PREPARED BY AND REMAINS THE PROPERTY OF SHADE 'N NET. IT CAN NOT BE COPIED, USED, ALTERED OR MODIFIED IN ANY FORM AND FOR ANY REASON OR PURPOSE WHATSOEVER WITHOUT EXPLICIT PERMIT FROM ITS OWNER.

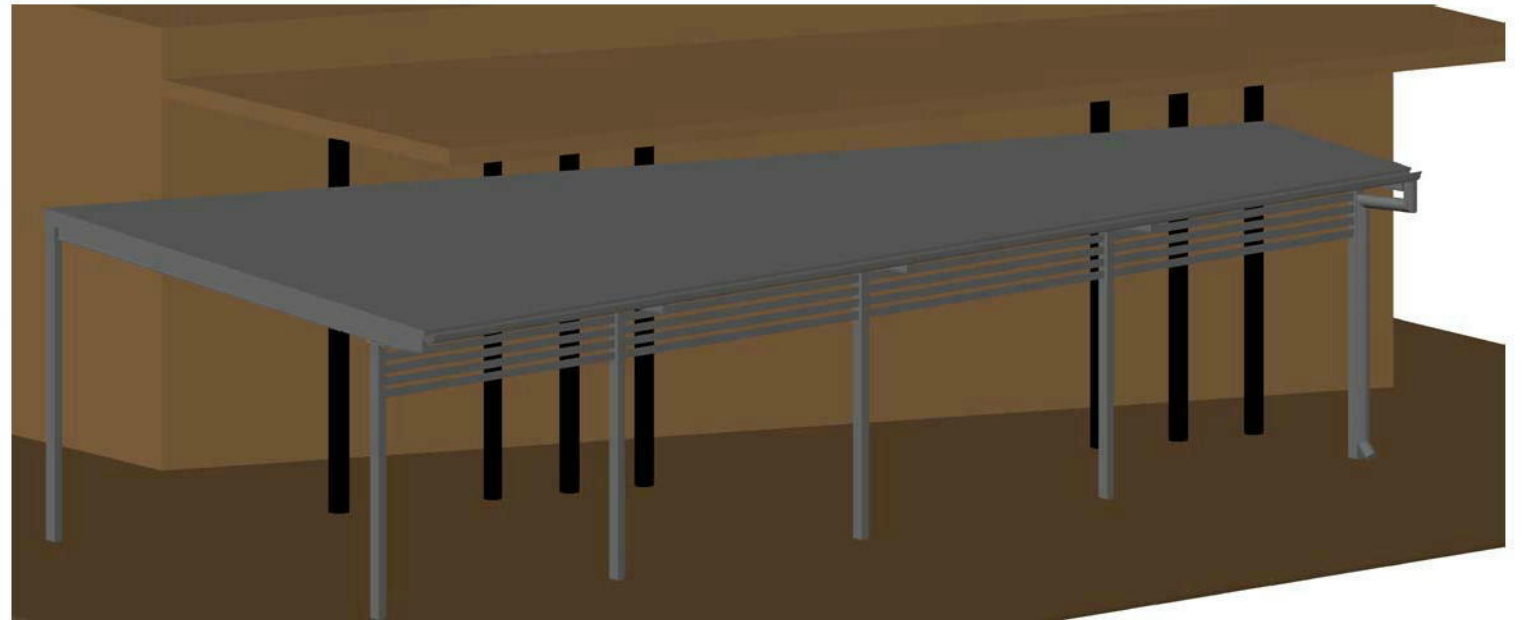
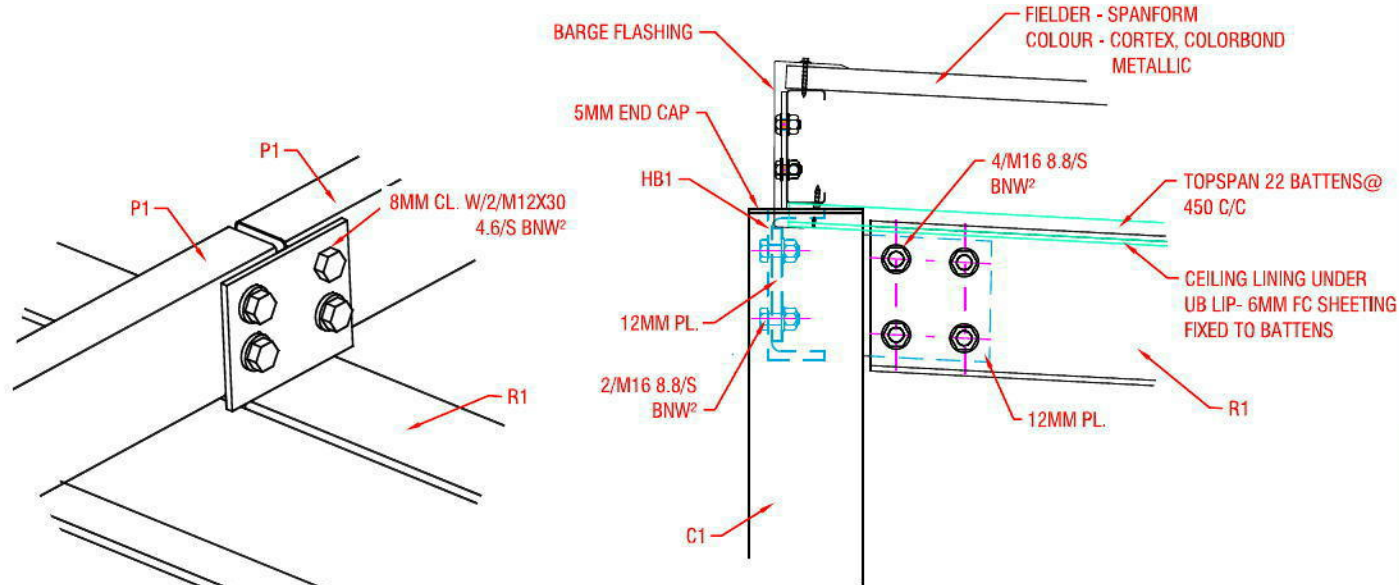
Shade'n Net
ABN 42 115 409 553
20 Endeavour Drive, Kunda Park
PO Box 423, Buderim, Queensland 4556
Phone: 07 5445 6966 Fax: 07 5445 6969

CLIENT: PENRITH CITY COUNCIL
PROJECT: TIN ROOF SKILLION STRUCTURE
ADDRESS: GLENMORE PARK CHILD & FAMILY CENTRE
31 BLUE HILLS DRIVE, GLENMORE PARK
NSW 2745

DWG# **E12951-01** ISSUE **D** SCALE **A3**

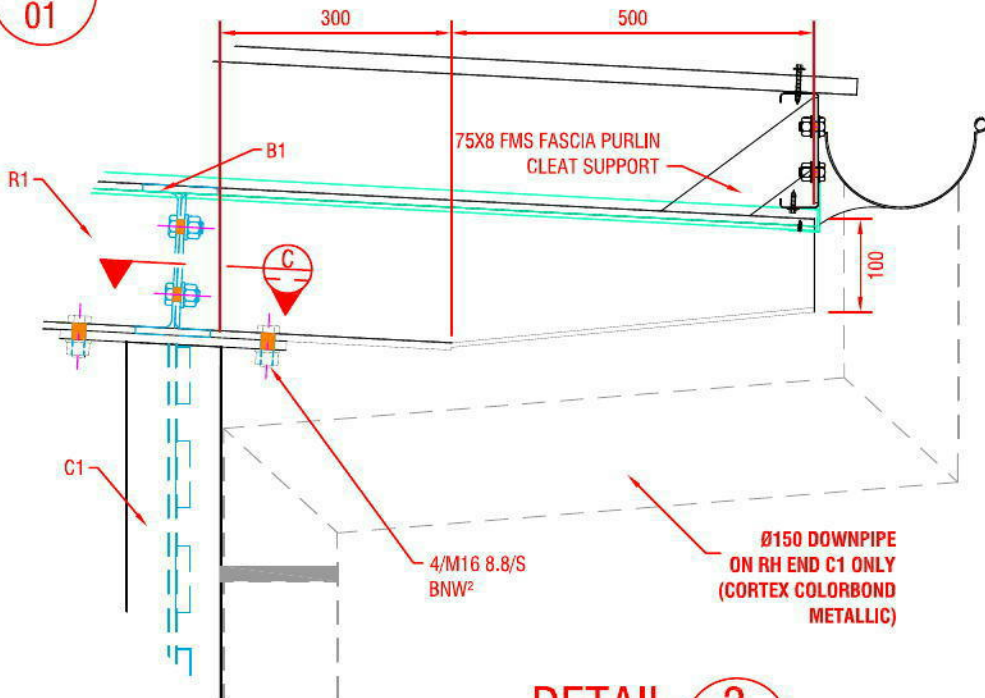
DRWN MR CHKD IH DATE 07/05/13

DO NOT SCALE - IF IN DOUBT ASK

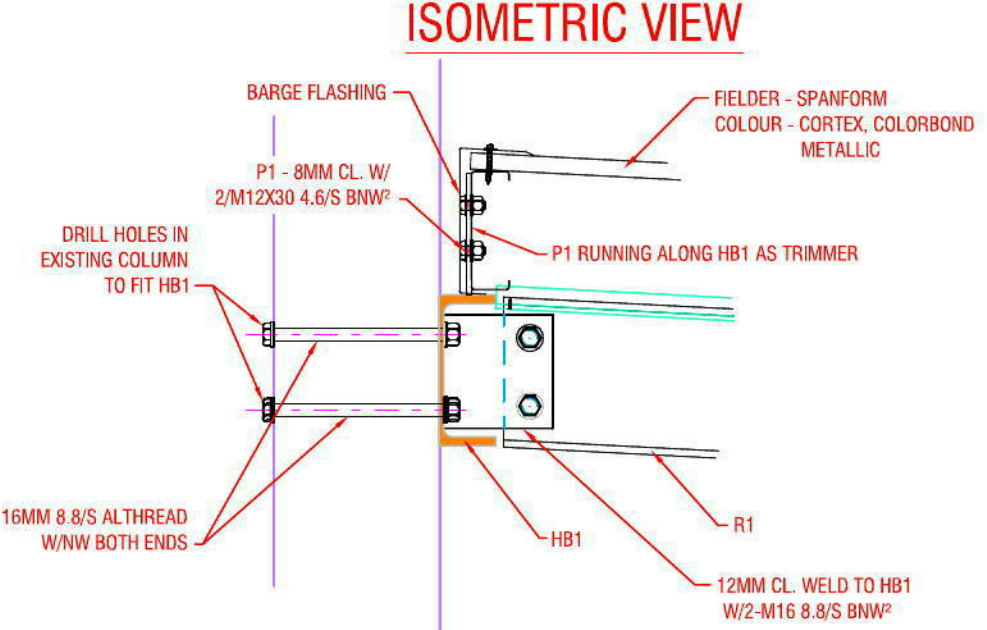


TYPICAL P1 TO R1 CONNECTION DETAIL
ROOFING & CEILING REMOVED FOR CLARITY

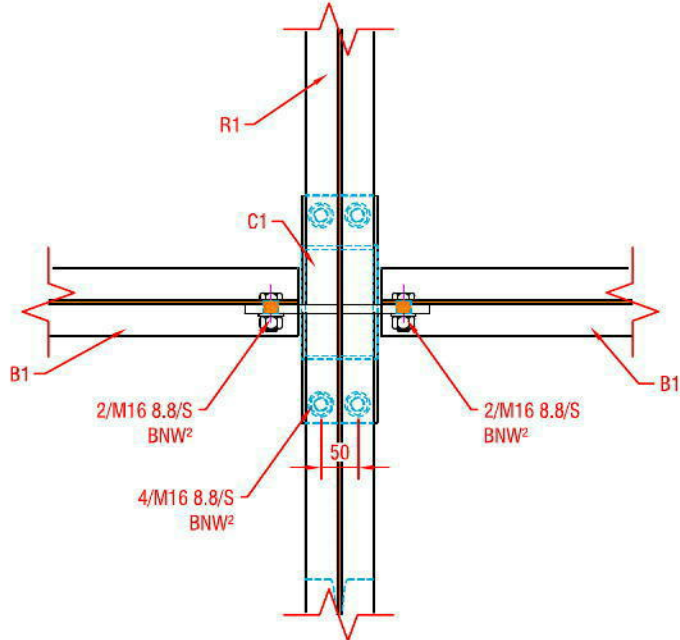
DETAIL 2
SCALE 1/10
01



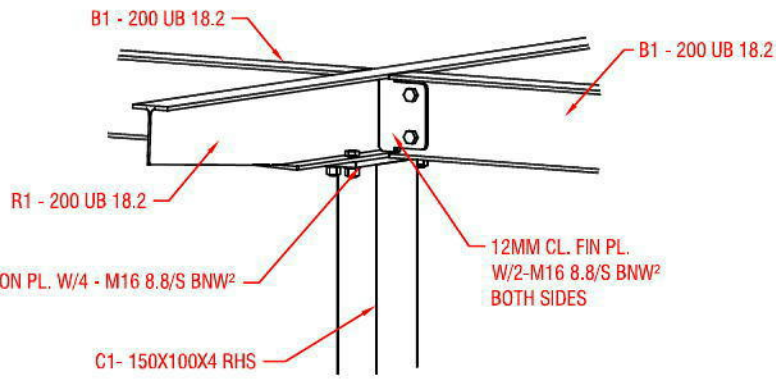
DETAIL 3
SCALE 1/10
01



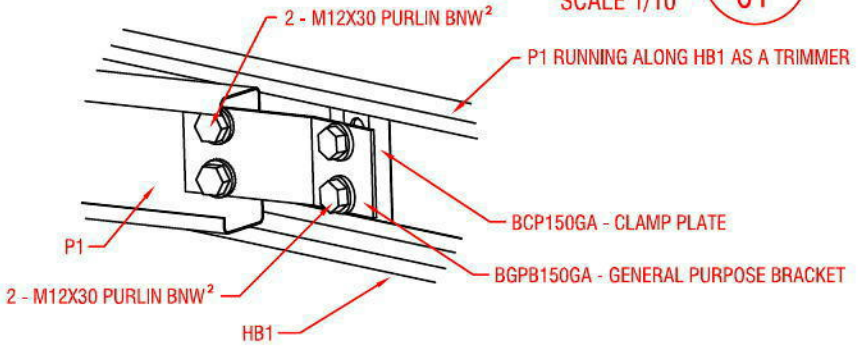
DETAIL 4
SCALE 1/10
01



SECTION C
SCALE 1/10



TYPICAL R1 TO B1 & C1 CONNECTION DETAIL
PURLINS & CEILING REMOVED FOR CLARITY



TYPICAL P1 TO P1 ALONG HB1 CONNECTION DETAIL
ROOFING & CEILING REMOVED FOR CLARITY

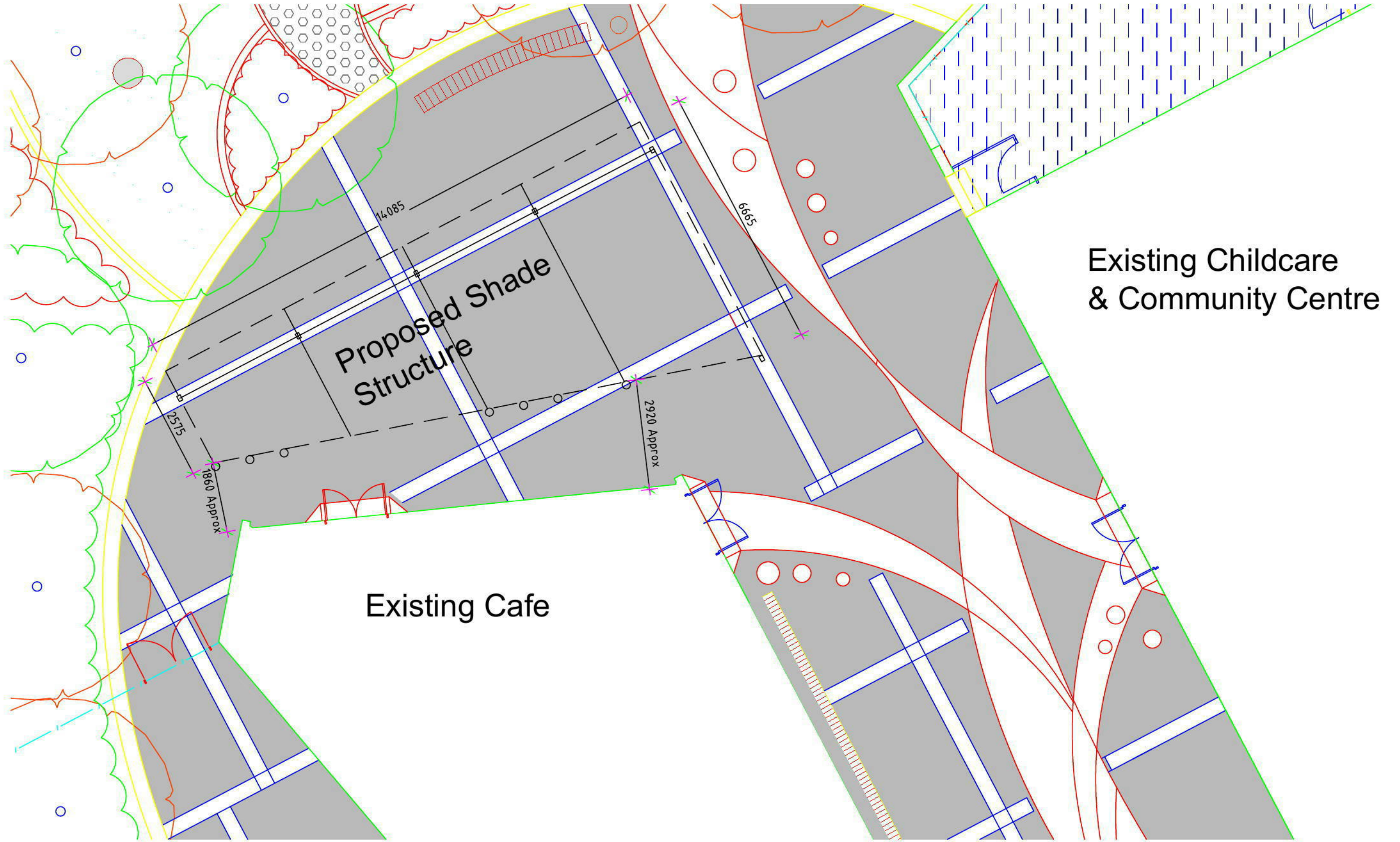
PLANS CHECKED BY N12@900 PTY. LTD. 12 SANDY COVE CRESCENT COOLUM BEACH 4573 Ph. 0410 599 211 A.B.N. 19 129 181 086	ENGINEER'S VERIFICATION IN MY PROFESSIONAL OPINION THE STRUCTURAL DESIGN DESCRIBED ON THIS DRAWING IS CAPABLE OF WITHSTANDING THE DESIGN WIND LOADS NOTED IN THE DESIGN CRITERIA. REFER TO THE ASSOCIATED FORM 15 FOR DESIGN STANDARDS FORMING THE BASIS OF THIS DESIGN.				
	SIGNED: STUART DOCHERTY (MIE AUST. RPEQ 6213)				

D	ENGINEER VERIFIED	07/05/2013	MR	IH
C	CHANGES TO STRUCTURE BY CLIENT	03/05/2013	MR	IH
B	CHANGES TO STRUCTURE BY CLIENT	28/03/13	MR	IH
A	INITIAL DRAWING PROPOSAL	04/03/2013	MR	IH
REV.	DETAILS	DATE	BY	CKD

THIS DRAWING IS PREPARED BY AND REMAINS THE PROPERTY OF SHADE 'N NET. IT CAN NOT BE COPIED, USED, ALTERED OR MODIFIED IN ANY FORM AND FOR ANY REASON OR PURPOSE WHATSOEVER WITHOUT EXPLICIT PERMIT FROM ITS OWNER.

Shade'n Net
 ABN 42 115 409 553
 20 Endeavour Drive, Kunda Park
 PO Box 423, Buderim, Queensland 4556
 Phone: 07 5445 6966 Fax: 07 5445 6969

CLIENT: PENRITH CITY COUNCIL		PROJECT: TIN ROOF SKILLION STRUCTURE	
ADDRESS: GLENMORE PARK CHILD & FAMILY CENTRE 31 BLUE HILLS DRIVE, GLENMORE PARK NSW 2745			
DWG#	E12951-02	ISSUE	A3
DRWN	MR	CHKD	IH
DATE	07/05/13	SCALE	AS NOTED



Proposed Shade Structure at Cafe at Glenmore Park Child & Family Centre
Scale 1:100 @A3 Print



Proposed Shade Structure at Cafe at
Glenmore Park Child & Family Centre

Site Plan

Not to Scale