

NOTE:

BOUNDARIES HAVE BEEN DETERMINED BY SURVEY ON 20/01/2020.
 PRIOR TO ANY CONSTRUCTION WORK, SURVEY MARKS SHOULD BE PLACED TO DEFINE THE PROPERTY BOUNDARIES.
 SERVICES SHOWN ARE INDICATIVE ONLY. POSITIONS ARE BASED ON SURFACE INDICATOR(S) LOCATED DURING FIELD SURVEY. CONFIRMATION OF THE EXACT POSITION SHOULD BE MADE PRIOR TO ANY EXCAVATION WORK. OTHER SERVICES MAY EXIST WHICH ARE NOT SHOWN. NO POT-HOLING HAS BEEN UNDERTAKEN AS A PART OF THESE WORKS.
 LEVELS ARE BASED ON AUSTRALIAN HEIGHT DATUM (AHD) USING SSM 78877 WITH RL 28.577 (AHD).
 RIDGE & GUTTER HEIGHTS HAVE BEEN OBTAINED BY INDIRECT METHOD AND ARE ACCURATE TO ± 0.05m.
 CONTOURS SHOWN DEPICT THE TOPOGRAPHY. EXCEPT AT SPOT LEVELS SHOWN THEY DO NOT REPRESENT THE EXACT LEVEL AT ANY PARTICULAR POINT. THE SPOT LEVELS ARE TRUE FOR THEIR POSITION, AND ARE INTENDED TO BE USEFUL TO REPRESENT THE GENERAL TERRAIN. CARE SHOULD BE TAKEN IF EXTRAPOLATING.

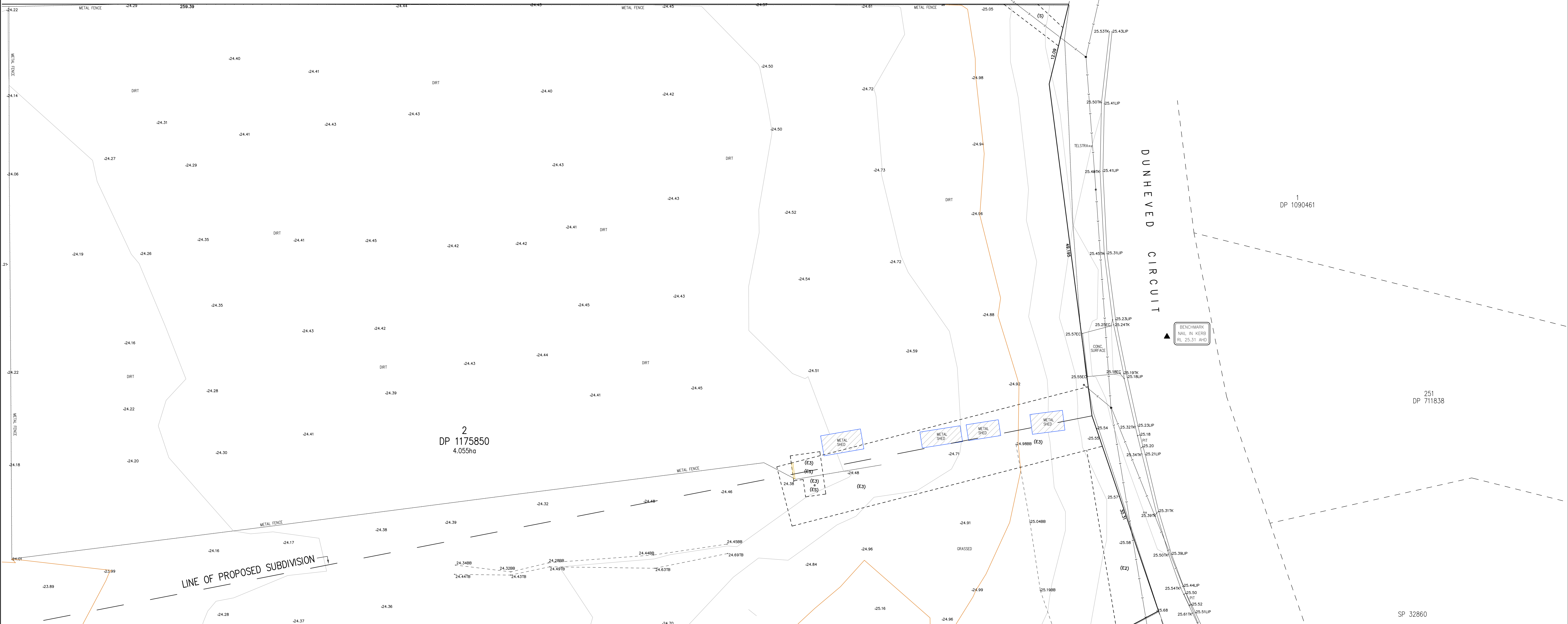
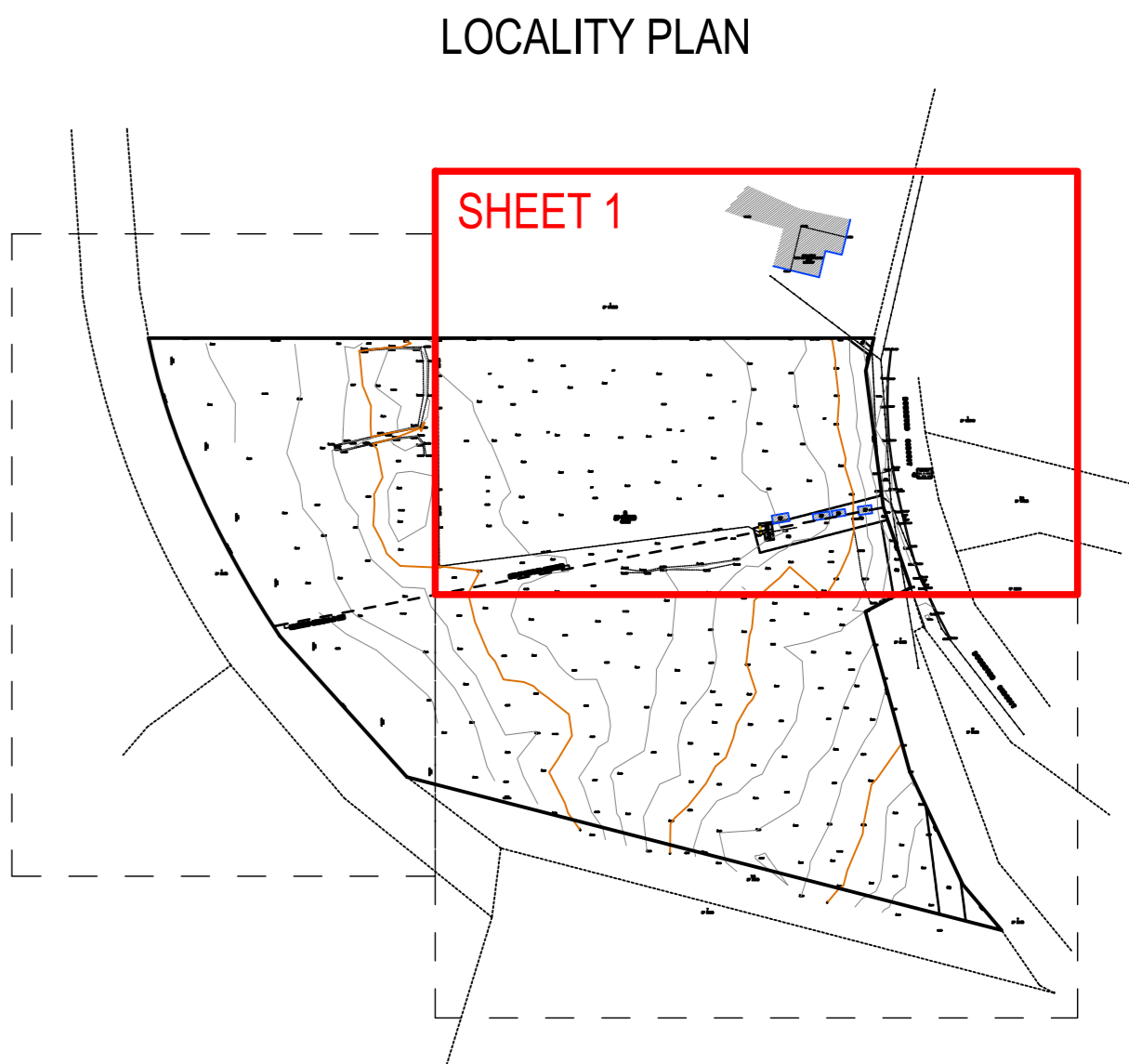
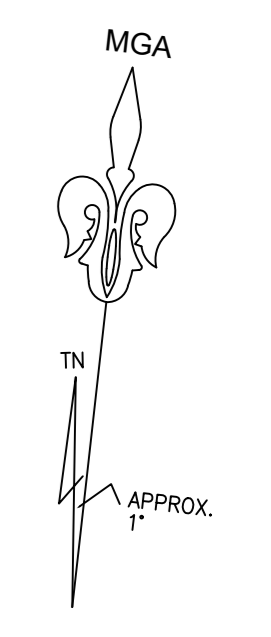
LEGEND

BENCH MARK	▲
TELSTRA PIT	TEL
ELECTRIC LIGHT POLE	LP
POWER POLE	PP
SIGN POST	SP
SEWER INSPECTION PIT	SIP
SEWER VENT	SEWER
MANHOLE	MH
SEWER MANHOLE	SMH
STOP VALVE	SV
WATER HYDRANT	HYD
WATER METER	WM
GAS METER	GM
STATE SURVEY MARK	SSM

K561654 - COVENANT
 (E1) EASEMENT FOR OVERHEAD POWER LINES 9 WIDE (DP1175850)
 (E2) EASEMENT FOR OVERHEAD POWER LINES VARIABLE WIDTH (DP1175850)
 (E3) EASEMENT FOR OVERHEAD POWER LINES 9 WIDE (DP1175850)
 (E4) EASEMENT FOR ELECTRICAL SUBSTATION 3 & 4.4 WIDE (DP1175850)
 (S) EASEMENT FOR SERVICES VARIABLE WIDTH (DP1175850)
 (X) EASEMENT FOR DRAINAGE 10.06 WIDE (D431274 & DP431900)
 DASHED ADJOINING BOUNDARY LINE IS APPROXIMATE ONLY.



Richard Abbott
 Richard Abbott
 Registered Surveyor
 No 9057



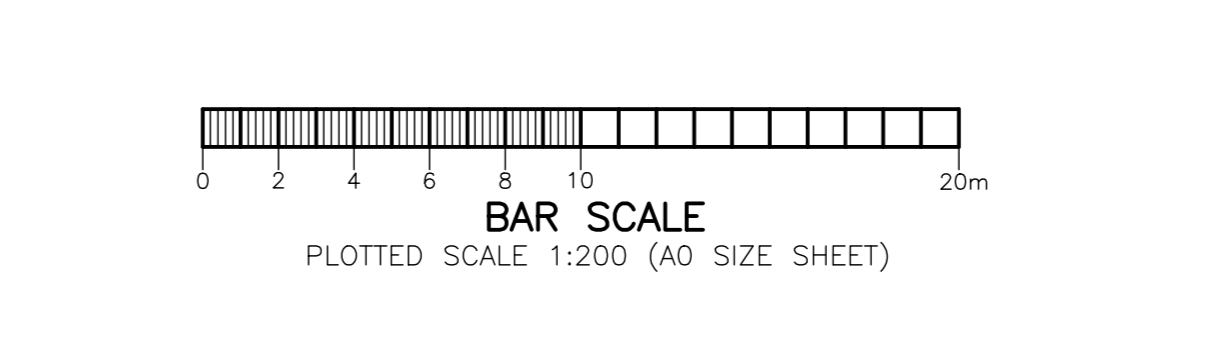
TSS TOTAL SURVEYING SOLUTIONS
 LANE COVE | CAMDEN | MANLY VALE | CENTRAL COAST

NOTE:
 INFORMATION CONTAINED IN THIS PLAN IS THE COPYRIGHT OF TOTAL SURVEYING SOLUTIONS. THE USE OR DUPLICATION WITHOUT THE WRITTEN CONSENT OF TOTAL SURVEYING SOLUTIONS CONSTITUTES AN INFRINGEMENT OF COPYRIGHT.

REVISION No.	REVISION DATE:	COMMENT:
RevA	2/11/2020	ADDITION OF PROPOSED SUBDIVISION LINE

LEGEND:

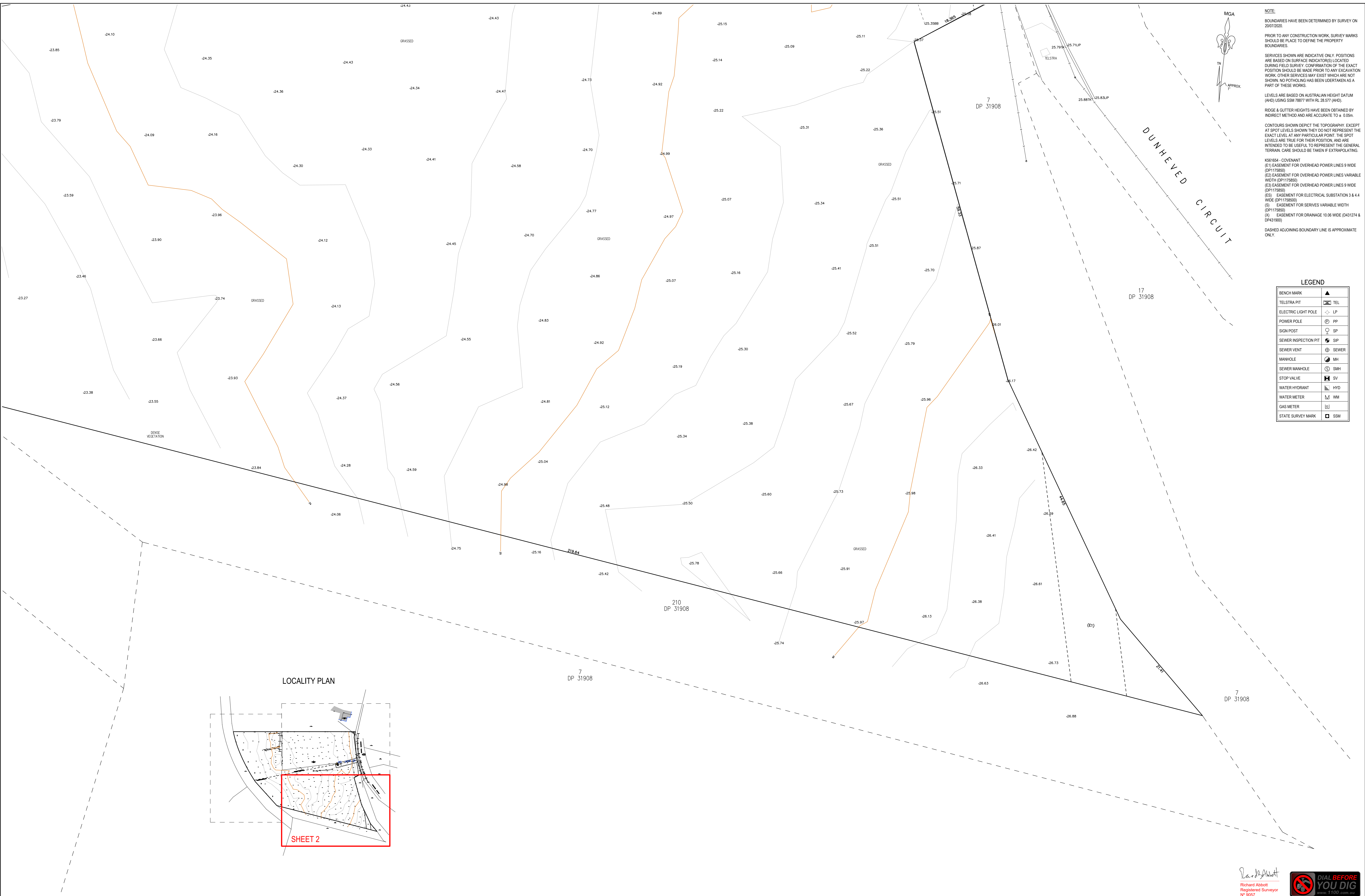
EB - EDGE OF BITUMEN	TG - TOP OF GUTTER
EC - EDGE OF CONCRETE	RR - ROOF RIDGE
TB - TOP OF BANK	FL - FLOOR LEVEL
BB - BOTTOM OF BANK	INV - INVERT LEVEL
TW - TOP OF WINDOW	ELEC - ELECTRICAL PIT
BW - BOTTOM OF WINDOW	Ø.4/S10/H16 - DIAMETER/SPREAD/HEIGHT



PLAN SHOWING DETAIL & LEVELS OVER LOT 2 IN DP 1175850

CLIENT: FIFE CAPITAL
 PROJECT: ST MARYS
 ADDRESS: 65 DUNHEVED CIRCUIT, ST MARYS

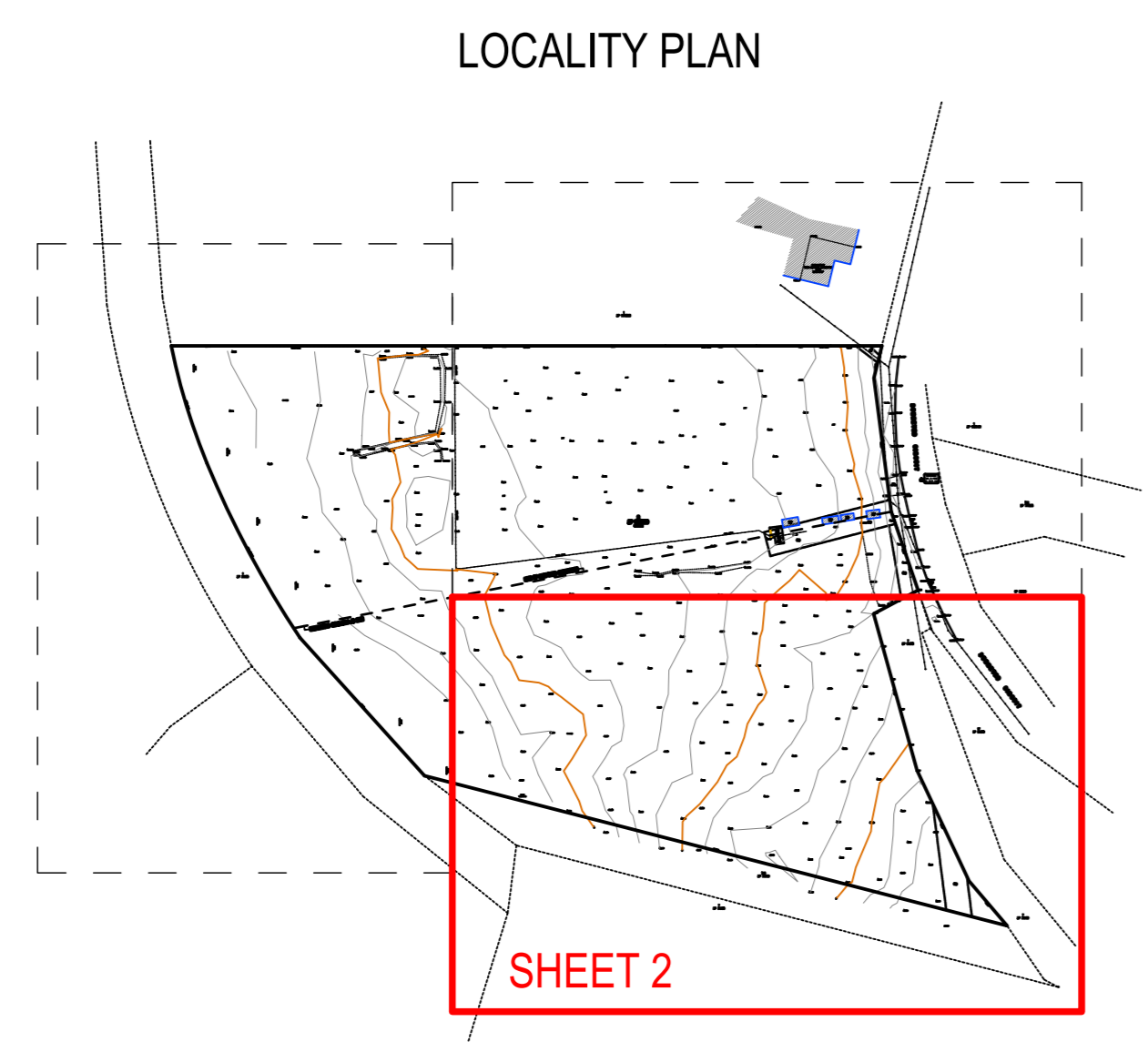
JOB No.: 201162	LGA: PENRITH
PLAN No.: 201162-1	DATUM: AHD
DATE: 28/07/2020	SCALE: 1:200@A0
DRAWN: RB	CONT. INTERVAL: 0.25m
CHK: RA	SHEET 1 OF 3



NOTE:
 BOUNDARIES HAVE BEEN DETERMINED BY SURVEY ON 20/07/2020.
 PRIOR TO ANY CONSTRUCTION WORK, SURVEY MARKS SHOULD BE PLACED TO DEFINE THE PROPERTY BOUNDARIES.
 SERVICES SHOWN ARE INDICATIVE ONLY. POSITIONS ARE BASED ON SURFACE INDICATORS LOCATED DURING FIELD SURVEY. CONFIRMATION OF THE EXACT POSITION SHOULD BE MADE PRIOR TO ANY EXCAVATION WORK. OTHER SERVICES MAY EXIST WHICH ARE NOT SHOWN. NO POT-HOLING HAS BEEN UNDERTAKEN AS A PART OF THESE WORKS.
 LEVELS ARE BASED ON AUSTRALIAN HEIGHT DATUM (AHD) USING GSN 78877 WITH RL 28.577 (AHD).
 RIDGE & GUTTER HEIGHTS HAVE BEEN OBTAINED BY INDIRECT METHOD AND ARE ACCURATE TO ± 0.05m.
 CONTOURS SHOWN DEPICT THE TOPOGRAPHY, EXCEPT AT SPOT LEVELS SHOWN THEY DO NOT REPRESENT THE EXACT LEVEL AT ANY PARTICULAR POINT. THE SPOT LEVELS ARE TRUE FOR THEIR POSITION, AND ARE INTENDED TO BE USEFUL TO REPRESENT THE GENERAL TERRAIN. CARE SHOULD BE TAKEN IF EXTRAPOLATING.
 K561654 - COVENANT
 (E1) EASEMENT FOR OVERHEAD POWER LINES 9 WIDE (DP1175850)
 (E2) EASEMENT FOR OVERHEAD POWER LINES VARIABLE WIDTH (DP1175850)
 (E3) EASEMENT FOR OVERHEAD POWER LINES 9 WIDE (DP1175850)
 (E5) EASEMENT FOR ELECTRICAL SUBSTATION 3 & 4.4 WIDE (DP1175850)
 (S) EASEMENT FOR SERVICES VARIABLE WIDTH (DP1175850)
 (X) EASEMENT FOR DRAINAGE 10.06 WIDE (D431274 & D431900)
 DASHED ADJOINING BOUNDARY LINE IS APPROXIMATE ONLY.

LEGEND

BENCH MARK	▲
TELSTRA PIT	TEL
ELECTRIC LIGHT POLE	LP
POWER POLE	PP
SIGN POST	SP
SEWER INSPECTION PIT	SIP
SEWER VENT	SEWER
MANHOLE	MH
SEWER MANHOLE	SMH
STOP VALVE	SV
WATER HYDRANT	HYD
WATER METER	WM
GAS METER	GM
STATE SURVEY MARK	SSM

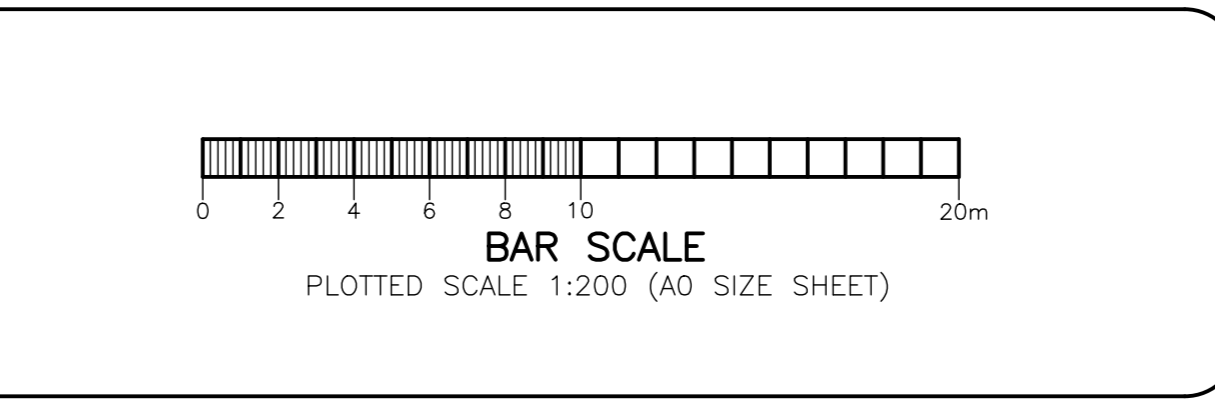


NOTE:
 INFORMATION CONTAINED IN THIS PLAN IS THE COPYRIGHT OF TOTAL SURVEYING SOLUTIONS. THE USE OR DUPLICATION WITHOUT THE WRITTEN CONSENT OF TOTAL SURVEYING SOLUTIONS CONSTITUTES AN INFRINGEMENT OF COPYRIGHT.

REVISION No.	REVISION DATE:	COMMENT:
RevA	2/11/2020	ADDITION OF PROPOSED SUBDIVISION LINE

LEGEND:

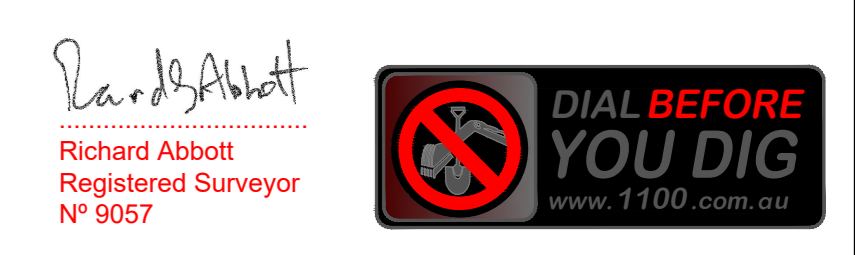
EB - EDGE OF BITUMEN	TG - TOP OF GUTTER
EC - EDGE OF CONCRETE	RR - ROOF RIDGE
TB - TOP OF BANK	FL - FLOOR LEVEL
BB - BOTTOM OF BANK	INV - INVERT LEVEL
TW - TOP OF WINDOW	ELEC - ELECTRICAL PIT
BW - BOTTOM OF WINDOW	Ø.4/S10/H16 - DIAMETER/SPREAD/HEIGHT



PLAN SHOWING DETAIL & LEVELS OVER LOT 2 IN DP 1175850

CLIENT: FIFE CAPITAL	PROJECT: ST MARYS	ADDRESS: 65 DUNHEVED CIRCUIT, ST MARYS
----------------------	-------------------	--

JOB No.: 201162	LGA: PENRITH
PLAN No.: 201162-1	DATUM: AHD
DATE: 28/07/2020	SCALE: 1:200@A0
DRAWN: RB	CONT. INTERVAL: 0.25m
CHK: RA	SHEET 2 OF 3

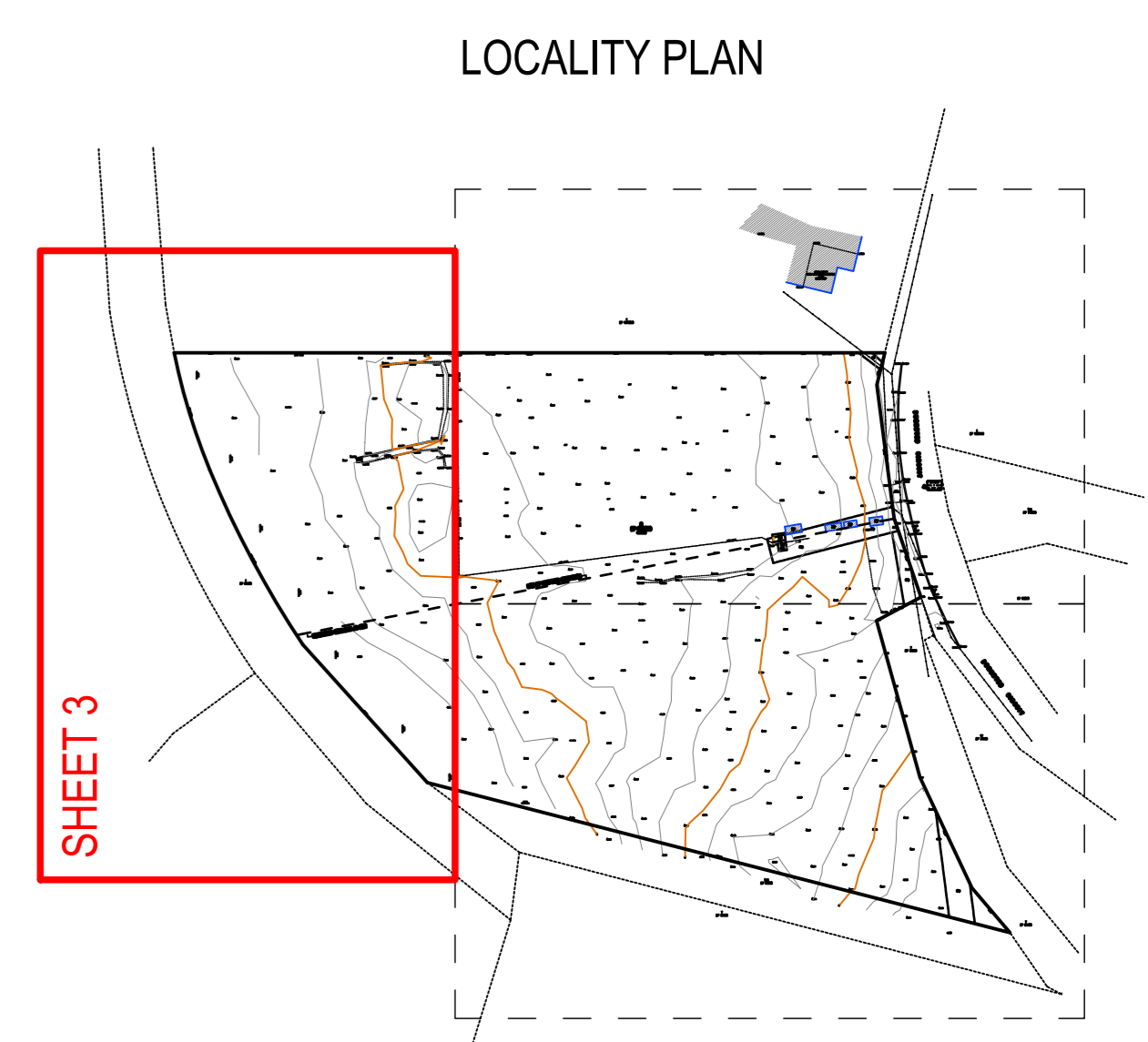
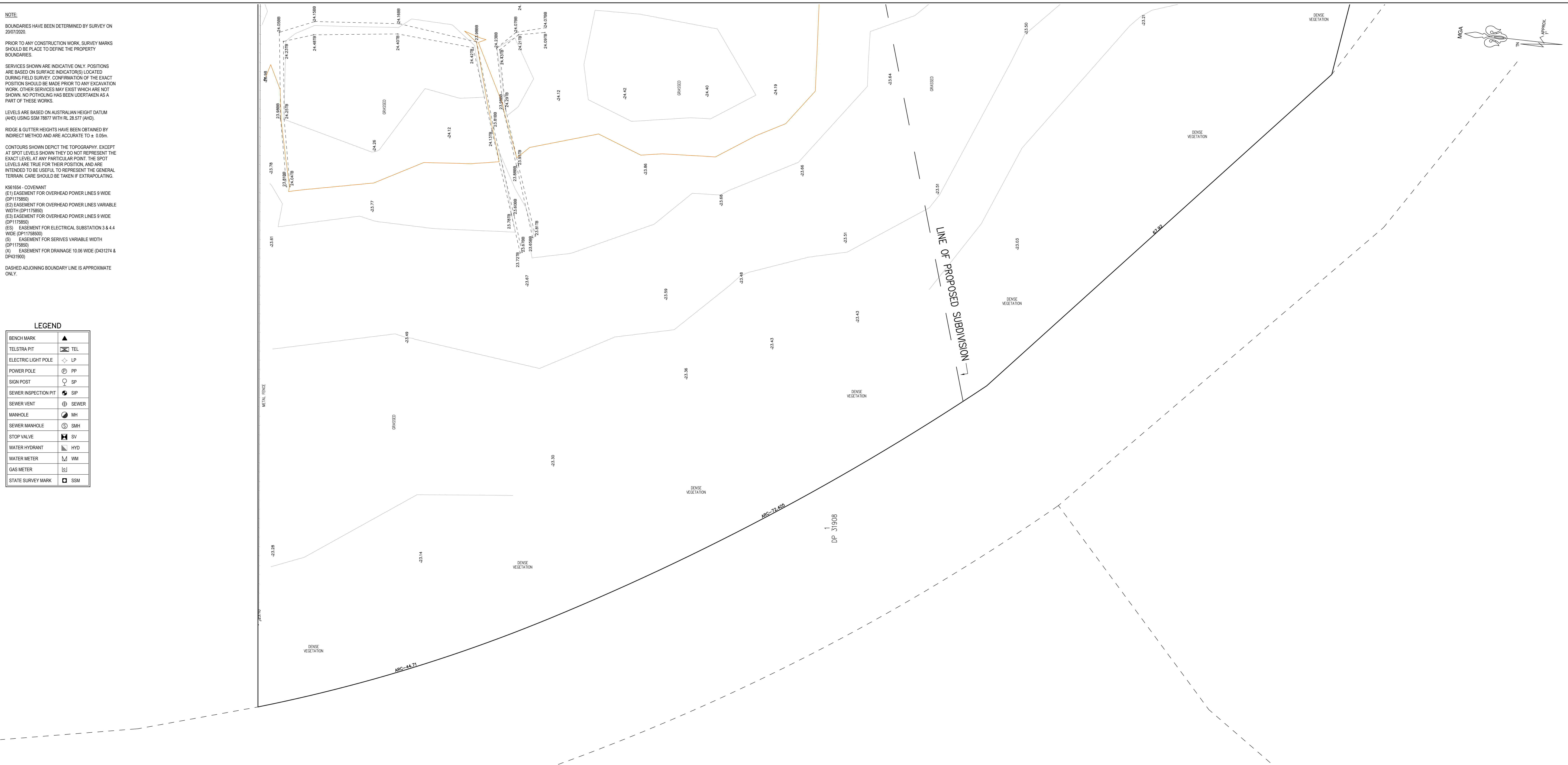


NOTE:

BOUNDARIES HAVE BEEN DETERMINED BY SURVEY ON 20/07/2020.
 PRIOR TO ANY CONSTRUCTION WORK, SURVEY MARKS SHOULD BE PLACED TO DEFINE THE PROPERTY BOUNDARIES.
 SERVICES SHOWN ARE INDICATIVE ONLY. POSITIONS ARE BASED ON SURFACE INDICATORS LOCATED DURING FIELD SURVEY. CONFIRMATION OF THE EXACT POSITION SHOULD BE MADE PRIOR TO ANY EXCAVATION WORK. OTHER SERVICES MAY EXIST WHICH ARE NOT SHOWN. NO POT-HOLING HAS BEEN UNDERTAKEN AS A PART OF THESE WORKS.
 LEVELS ARE BASED ON AUSTRALIAN HEIGHT DATUM (AHD) USING SSM 78877 WITH RL 28.577 (AHD).
 RIDGE & GUTTER HEIGHTS HAVE BEEN OBTAINED BY INDIRECT METHOD AND ARE ACCURATE TO ± 0.05m.
 CONTOURS SHOWN DEPICT THE TOPOGRAPHY EXCEPT AT SPOT LEVELS SHOWN THEY DO NOT REPRESENT THE EXACT LEVEL AT ANY PARTICULAR POINT. THE SPOT LEVELS ARE TRUE FOR THEIR POSITION, AND ARE INTENDED TO BE USEFUL TO REPRESENT THE GENERAL TERRAIN. CARE SHOULD BE TAKEN IF EXTRAPOLATING.
 K561654 - COVENANT
 (E1) EASEMENT FOR OVERHEAD POWER LINES 9 WIDE (DP117550)
 (E2) EASEMENT FOR OVERHEAD POWER LINES VARIABLE WIDTH (DP117550)
 (E3) EASEMENT FOR OVERHEAD POWER LINES 9 WIDE (DP117550)
 (E5) EASEMENT FOR ELECTRICAL SUBSTATION 3 & 4.4 WIDE (DP117550)
 (S) EASEMENT FOR SERVICES VARIABLE WIDTH (DP117550)
 (D) EASEMENT FOR DRAINAGE 10.05 WIDE (D431274 & D431800)
 DASHED ADJOINING BOUNDARY LINE IS APPROXIMATE ONLY.

LEGEND

BENCH MARK	▲
TELSTRA PIT	TEL
ELECTRIC LIGHT POLE	LP
POWER POLE	PP
SIGN POST	SP
SEWER INSPECTION PIT	SIP
SEWER VENT	SEWER
MANHOLE	MH
SEWER MANHOLE	SMH
STOP VALVE	SV
WATER HYDRANT	HYD
WATER METER	WM
GAS METER	GM
STATE SURVEY MARK	SSM



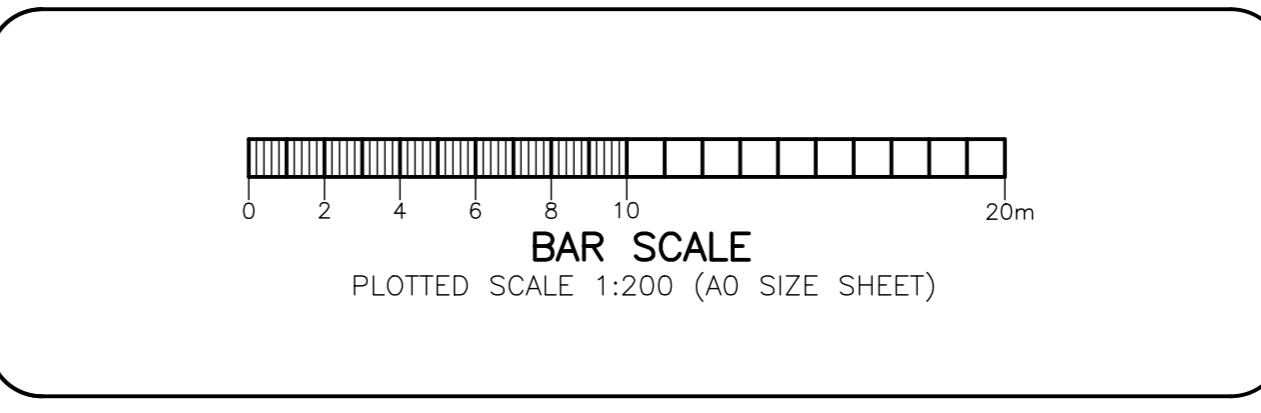
Richard Abbott
 Registered Surveyor
 N° 9057

TSS TOTAL SURVEYING SOLUTIONS
 LANE COVE | CAMDEN | MANLY VALE | CENTRAL COAST

NOTE:
 INFORMATION CONTAINED IN THIS PLAN IS THE COPYRIGHT OF TOTAL SURVEYING SOLUTIONS. THE USE OR DUPLICATION WITHOUT THE WRITTEN CONSENT OF TOTAL SURVEYING SOLUTIONS CONSTITUTES AN INFRINGEMENT OF COPYRIGHT.

REVISION No.	REVISION DATE:	COMMENT:
RevA	2/11/2020	ADDITION OF PROPOSED SUBDIVISION LINE

LEGEND:	
EB - EDGE OF BITUMEN	TG - TOP OF GUTTER
EC - EDGE OF CONCRETE	RR - ROOF RIDGE
TB - TOP OF BANK	FL - FLOOR LEVEL
BB - BOTTOM OF BANK	INV - INVERT LEVEL
TW - TOP OF WINDOW	ELEC - ELECTRICAL PIT
BW - BOTTOM OF WINDOW	Ø.4/S10/H16 - DIAMETER/SPREAD/HEIGHT



PLAN SHOWING DETAIL & LEVELS OVER LOT 2 IN DP 1175850	
CLIENT: FIFE CAPITAL	PROJECT: ST MARYS
ADDRESS: 65 DUNHEVED CIRCUIT, ST MARYS	

JOB No.: 201162	LGA: PENRITH
PLAN No.: 201162-1	DATUM: AHD
DATE: 28/07/2020	SCALE: 1:200@A0
DRAWN: RB	CONT. INTERVAL: 0.25m
CHK: RA	SHEET 3 OF 3