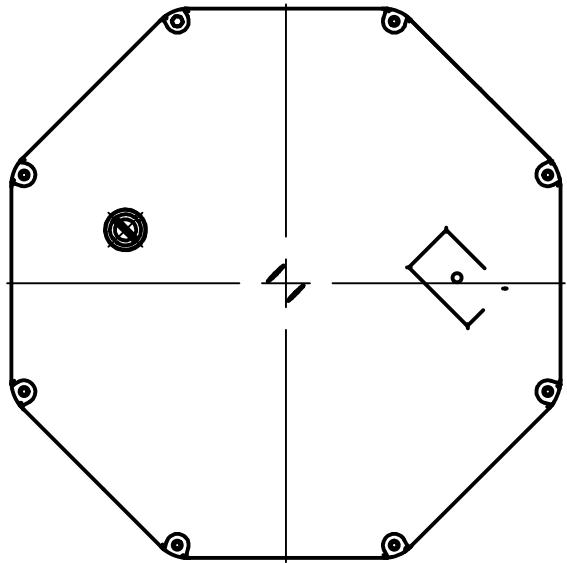
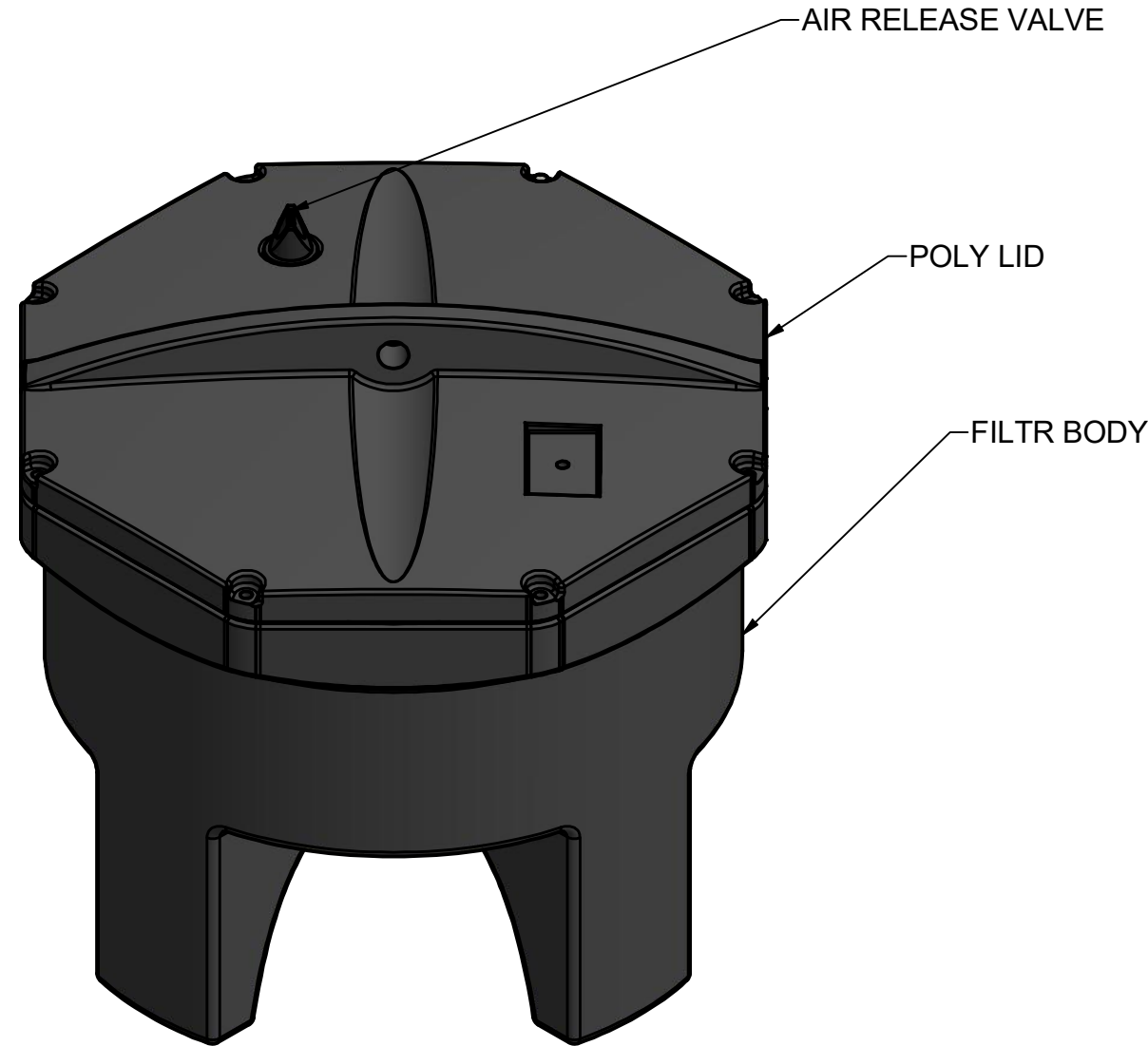


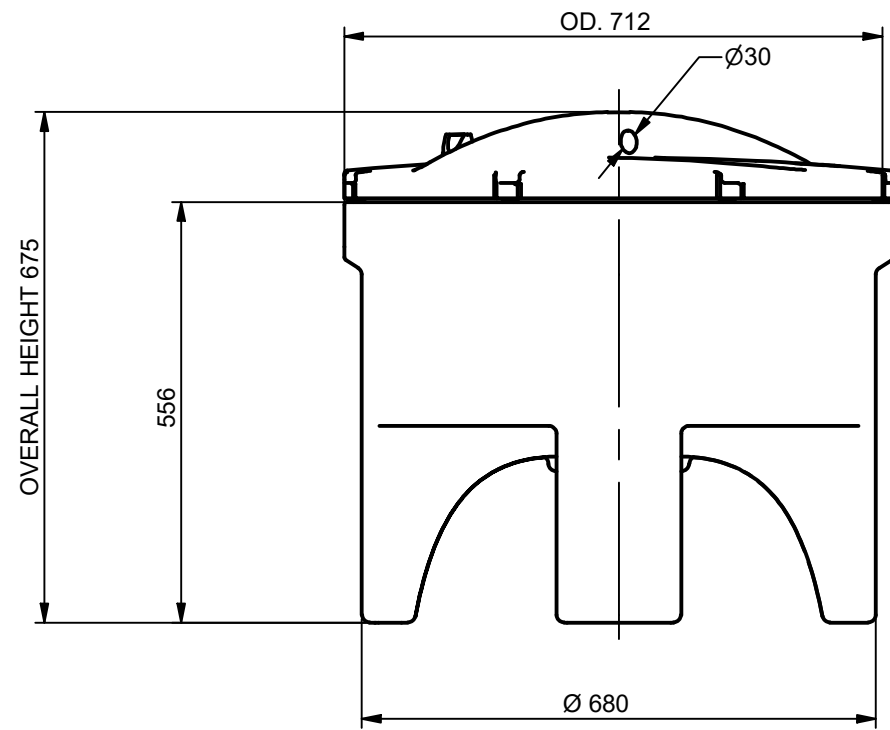
REVISION HISTORY				
REV	DESCRIPTION	DESIGNER	CREATION DATE	CHECKED BY
1	INITIAL RELEASE	M.MAKIN	23/04/2019	



PLAN VIEW



ISOMETRIC VIEW



ELEVATION VIEW

APPROVED.....

NAME.....

SIGNED.....

DATE...../...../.....

ISSUED FOR CONSTRUCTION

TOLERANCE: ALL DIMENSIONS 10mm UNLESS OTHERWISE STATED.

ALL INTERCONNECTING PIPEWORK, PITS AND ASSOCIATED DRAINAGE BY OTHERS

CLIENT:

DISTRIBUTOR :

CONFIDENTIAL - The drawings must not be disclosed to any third parties without written permission from SPEL Environmental Sydney. Unauthorised disclosure may result in prosecution.
 © SPEL Environmental - This drawing is the property of SPEL Environmental ABN: 83 151 832 629 and is subject to return on demand. It is submitted for the use only in connection with the proposal and contracts of SPEL Environmental with the expressed conditions that it is not to be reproduced or copied in any form. This data must only be used in accordance with our standard terms and conditions.
 © Copyright
 SPEL Environmental accepts no responsibility for any loss or damage resulting from any person acting on this information. The details and dimensions contained in this document may change, please check with SPEL Environmental for confirmation of current specifications.

Drawn	Date
M.MAKIN	23/04/2019
Check	Date
Verified	Date
Approved	Date
Request No.	

SPEL
 ENVIRONMENTAL
 INTEGRATED WATER SOLUTIONS

100 Silverwater Road Silverwater NSW 2128
 PH: 1300 773 500 | E: sales@spel.com.au
 www.spel.com.au

PROJECT :			
TITLE SPEL FILTER MODEL : SF-1.4 -EMC-M GENERAL ARRANGEMENT			
SCALE N.T.S	SIZE A3	SHEET 1	REV 1
CUSTOMER CODE :		DWG No. SP19-SF11330-S	

E:\Vault Working Folder\Designs\SPEL\STD ITEMS\PRODUCTS\FILTER\POLY SPEL FILTER - HALF\SP19-SF11330-S.dwg